

M Series - 25 GPM

A.Y. McDonald offers a full line of no-lead brass submersible pumps built for years of trouble free operation, with high-efficiency impellers and diffusers. These submersibles offer peak capacity performance in 5, 7, 10, 15, 20, and 25 gallons per minute (GPM). Other features include no-lead discharge head with a built-in check valve, and stainless steel shaft and coupling.

All M Series No-Lead Pumps come with a 1 1/4" discharge and sizes range from 1/2 to 5 horse power (HP). Two wire models up to 1 1/2 horse power (HP) or three wire models up to 5 horse power (HP).

Two Wire Single Phase

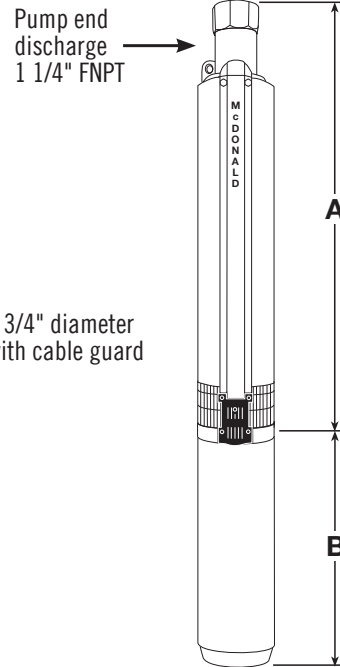
Model No.	HP	Stages	Volt	A	B	WT.
21050M2A	1/2	4	115	12.44"	9.53"	26
21050M2	1/2	4	230	12.44"	9.53"	26
21075M2	3/4	5	230	13.52"	10.66"	28
21100M2	1	7	230	15.67"	11.75"	33
21150M2	1 1/2	9	230	17.82"	15.12"	42

Three Wire** Single Phase

Model No.	HP	Stages	Volt	A	B	WT.
21050M3A	1/2	4	115	12.44"	9.53"	26
21050M3	1/2	4	230	12.44"	9.53"	26
21075M3	3/4	5	230	13.52"	10.66"	28
21100M3	1	7	230	15.67"	11.75"	32
21150M3	1 1/2	9	230	17.82"	13.62"	38
21200M3	2	12	230	21.04"	15.12"	43
21300M3	3	16	230	25.33"	19.06"	55
21500M3	5	25	230	36.38"	29.62"	85

Three Wire** Three Phase

Model No.	HP	Stages	Volt	A	B	WT.
21150M3Z	1 1/2	9	230	17.82"	11.75"	34
21200M3Z	2	12	230	21.04"	13.62"	40
21300M3Z	3	16	230	25.33"	16.04"	48
21500M3Z	5	25	230	36.38"	23.62"	71
21500M3Y	5	25	460	36.38"	23.62"	71



3 3/4" diameter with cable guard

4" No-Lead Brass Pump Ends

Model No.	HP	WT.
21050M	1/2	9
21075M	3/4	9
21100M	1	10
21150M	1 1/2	11
21200M	2	11
21300M	3	14
21500M	5	19

** All three wire pumps are available in three phase by selecting pump end and appropriate motor and starter kit (see pages 108-118).

Output - in Gallons Per Minute (Depth to Water)

1/2 HP	PSI	25'	50'	75'	100'
	0	34.97	29.23	22.43	13.64
	30	15.93	2.93		
	40	4.38			

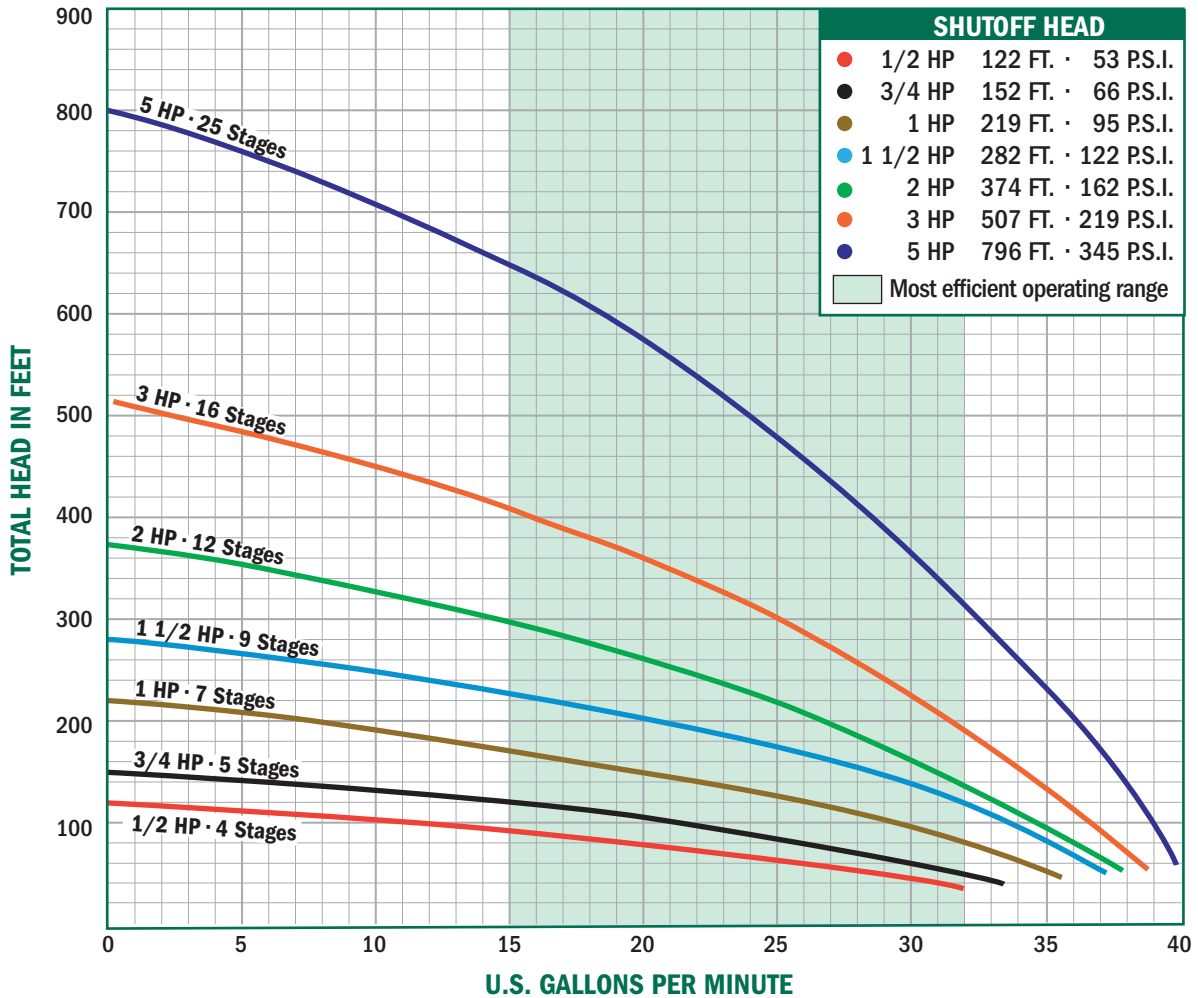
3/4 HP	PSI	25'	50'	75'	100'	125'	150'
	0	36.08	31.97	27.33	21.88	14.91	2.74
	30	23.22	16.71	6.80			
	40	17.27	7.85				
	50	8.81					

1 HP	PSI	25'	50'	75'	100'	125'	150'	175'	200'
	0	38.23	35.39	32.34	29.02	25.34	21.13	16.10	9.38
	30	29.81	26.22	22.15	17.35	11.16			
	40	26.50	22.48	17.75	11.71	1.28			
	50	22.80	18.14	12.24	2.61				
	60	18.53		3.73					

1 1/2 HP	PSI	25'	50'	75'	100'	125'	150'	175'	200'	225'	250'	275'
	0	40.00	37.82	35.52	33.08	30.47	27.63	24.52	21.01	16.91	11.76	3.56
	30	33.65	31.08	28.30	25.26	21.85	17.91	13.07	6.06			
	40	31.28	28.52	25.50	22.13	18.24	13.49	6.76				
	50	28.74	25.74	22.40	18.56	13.90	7.42					
	60	25.98		18.87	14.29	8.04						

FRICITION LOSSES IN RISER PIPE HAVE NOT BEEN CALCULATED

M Series - 25 GPM



Submersible Pumps

2 HP	PSI	50'	100'	150'	200'	250'	300'	350'
	0	38.07	34.66	30.92	26.74	21.91	15.98	7.38
	30	33.26	29.37	24.97	19.79	13.16	1.33	
	40	31.52	27.42	22.70	16.98	9.04		
	50	29.68	25.33	20.23	13.75	2.92		
	60	27.75	23.09	17.47	9.80			

3 HP	PSI	50'	100'	150'	200'	250'	300'	350'	400'	450'	500'
	0	39.30	36.84	34.22	31.42	28.38	25.02	21.23	16.75	11.09	1.27
	30	35.85	33.16	30.28	27.12	23.62	19.61	14.78	8.24		
	40	34.63	31.86	28.86	25.55	21.84	17.51	12.08	3.58		
	50	33.38	30.50	27.37	23.90	19.94	15.19	8.85			
	60	32.08	29.09	25.82	22.14	17.87	12.56	4.51			

FRICITION LOSSES IN RISER PIPE HAVE NOT BEEN CALCULATED

5 HP	PSI	50'	100'	150'	200'	250'	300'	350'	400'	450'	500'	550'	600'	650'	700'	750'
	0	40.4	38.9	37.4	35.8	34.1	32.4	30.6	28.6	26.5	24.2	21.6	18.7	15.2	11.0	5.8
	30	38.3	36.8	35.2	33.5	31.7	29.8	27.8	25.6	23.2	20.5	17.4	13.7	9.2	3.5	
	40	37.6	36.0	34.4	32.7	30.9	28.9	26.8	24.5	22.0	19.1	15.8	11.7	6.7		
	50	36.9	35.3	33.6	31.9	30.0	28.0	25.8	23.4	20.7	17.7	14.0	9.5			
	60	36.2	34.5	32.8	31.0	29.1	27.0	24.7	22.2	19.4	16.1	12.1	7.1			