



Sump, Sewage, & Effluent Pumps

Sump, Sewage, & Effluent Pumps

Pump Catalog - January 2020

MORE THAN A BRAND. WE'RE A FAMILY.

5020PUUP Utility Pumps

This 5020PUUP can handle up to 26 gallons per minute (GPM). Built with a tough thermoplastic construction, it has a sleek design that allows the pump to fit in a 6" or larger opening.

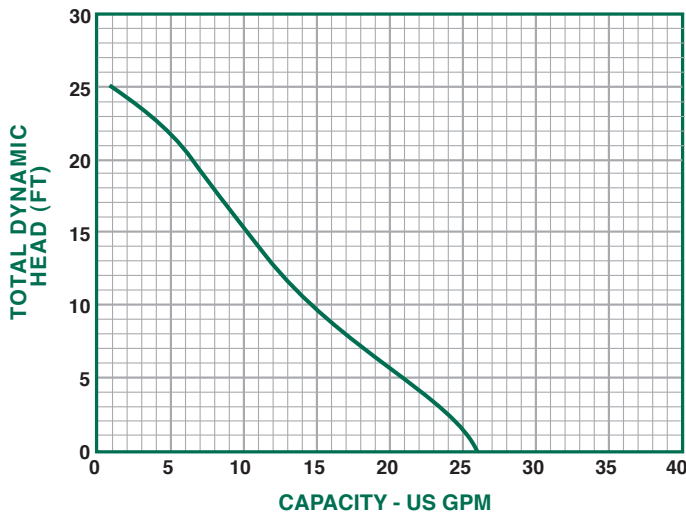
Features:

- Split Capacitor Motor -
1/5 HP continuous duty, thermal protected
- Lifts water up to 25' of vertical height
- 10' Power Cord
- 3/4" Garden hose adapter included
- Large 1 1/4" discharge for high capacity pumping
- Clog resistant impeller

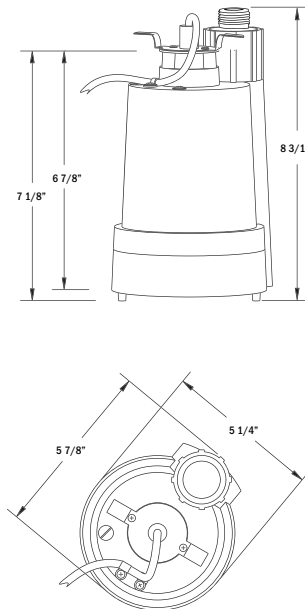


See Pumps & Accessories
Price List for Limited Warranty details.

Performance Curve



Dimensions



Performance

Model	Gallons per Minute in Feet					
	0	5	10	15	20	25
5020PUUP	26	21	14	10	7	1

Specifications

Model No.	HP	Volts	Hz	Amps	Construction	Discharge Size	Cord Length	Solids Handling	RPM	Phase	Wt.
5020PUUP	1/5	120	60	3.6	Thermoplastic	1 1/4"	10'	1/8"	3450	1	8

5025PTSP Sump Pumps

With a tough thermoplastic construction, the 5025PTSP can handle up to 30 gallons per minute (GPM).

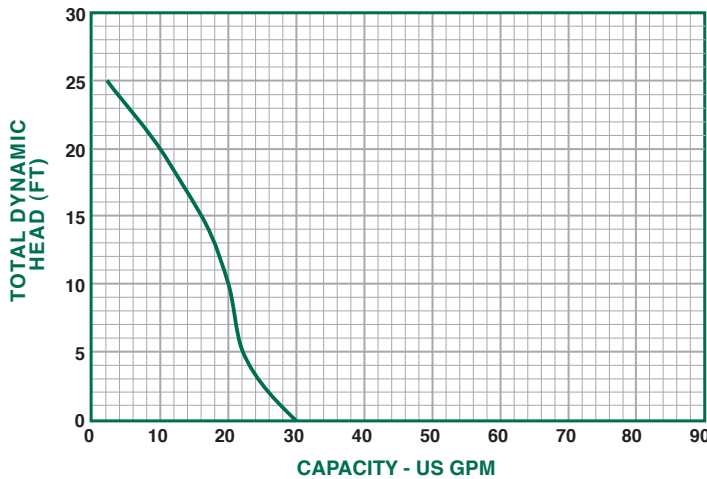
Features:

- Split Capacitor Motor - 1/4 HP continuous duty, thermal protected
- Lifts water up to 25' of vertical height
- 10' power cord, 25' cords are available for an additional charge
- Large 1 1/4" or 1 1/2" discharge for high capacity pumping
- Clog resistant impeller
- Tethered float switch

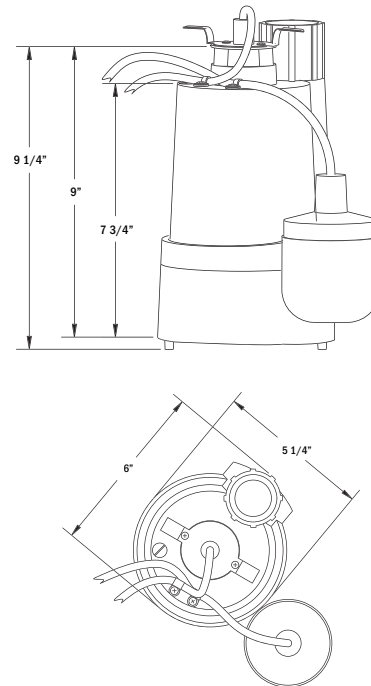


See Pumps & Accessories Price List for Limited Warranty details.

Performance Curve



Dimensions



Performance

Model	Gallons per Minute in Feet					
	0	5	10	15	20	25
5025PTSP	30	22	20	16	9	2

Specifications

Model No.	HP	Volts	Hz	Amps	Construction	Discharge Size	Cord Length	Solids Handling	RPM	Phase	Wt.
5025PTSP	1/4	120	60	3.8	Thermoplastic	1 1/4" or 1 1/2"	10'	1/8"	3450	1	9

5025PVSP Sump Pumps

With a tough thermoplastic construction, the 5025PVSP can handle up to 30 gallons per minute (GPM).

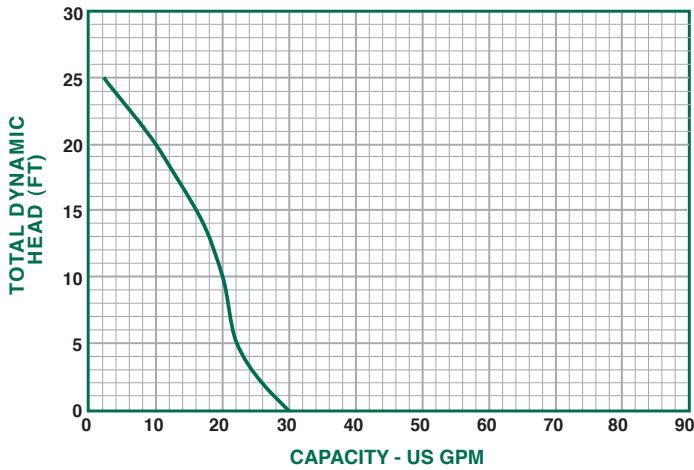
Features:

- Split Capacitor Motor - 1/4 HP continuous duty, thermal protected
- Lifts water up to 25' of vertical height
- 10' power cord, 25' cords are available for an additional charge
- Large 1 1/4" or 1 1/2" discharge for high capacity pumping
- Clog resistant impeller
- Vertical float switch

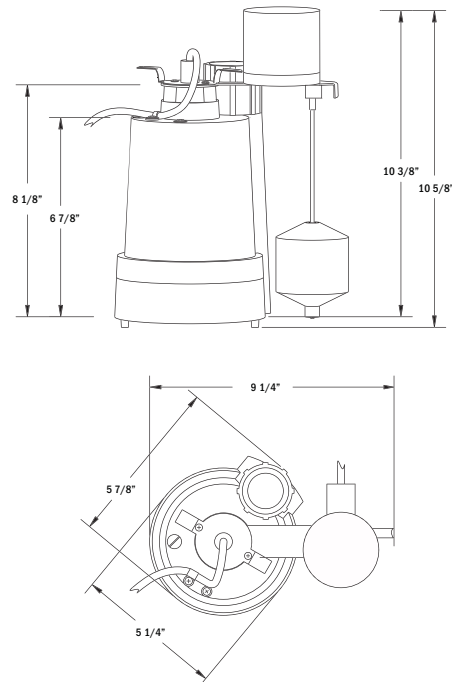


See Pumps & Accessories Price List for Limited Warranty details.

Performance Curve



Dimensions



Performance

Model	Gallons per Minute in Feet					
	0	5	10	15	20	25
5025PVSP	30	22	20	16	9	2

Specifications

Model No.	HP	Volts	Hz	Amps	Construction	Discharge Size	Cord Length	Solids Handling	RPM	Phase	Wt.
5025PVSP	1/4	120	60	3.8	Thermoplastic	1 1/4" or 1 1/2"	10'	1/8"	3450	1	9

Sump, Sewage, & Effluent Pumps

5030CVSP 5030CUSP, & 5030CUSP25 Sump Pumps

With a rugged cast iron construction, the 5030CVSP, 5030CUSP, and 5030CUSP25 can handle up to 46 gallons per minute (GPM).

Features:

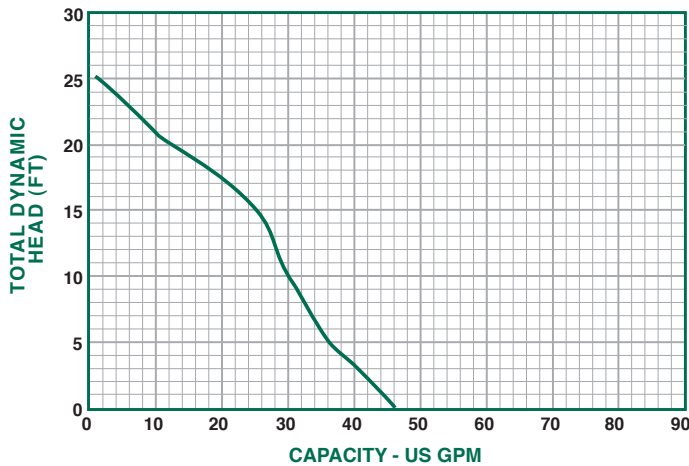
- Split Capacitor Motor - 3/10 HP continuous duty, thermal protected
- Lifts water up to 25' of vertical height
- 10' power cord, 25' cords are available for an additional charge
- Large 1 1/2" discharge for high capacity pumping
- Also available without a switch
- Non-clogging stainless steel impeller
- Vertical float switch



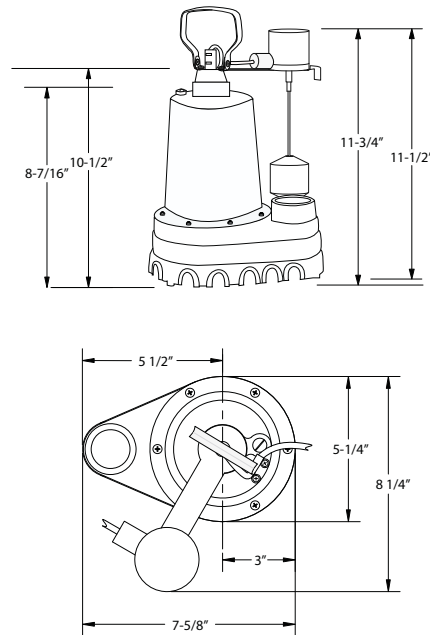
See Pumps & Accessories Price List for Limited Warranty details.



Performance Curve



Dimensions



Performance

Model	Gallons per Minute in Feet					
5030CUSP	0	5	10	15	20	25
5030CUSP25	46	36	30	25	12	1
5030CVSP						

Specifications

Model No.	HP	Volts	Hz	Amps	Construction	Discharge Size	Cord Length	Solids Handling	RPM	Phase	Wt.
5030CVSP	3/10	120	60	4.1	Cast Iron	1 1/2"	10'	3/8"	3450	1	20
5030CUSP (NO SWITCH)	3/10	120	60	4.1	Cast Iron	1 1/2"	10'	3/8"	3450	1	18
5030CUSP25 (NO SWITCH)	3/10	120	60	4.1	Cast Iron	1 1/2"	25'	3/8"	3450	1	19

Sump, Sewage, & Effluent Pumps

5030CTSP Sump Pumps

With a rugged cast iron construction, the 5030CTSP can handle up to 46 gallons per minute (GPM).

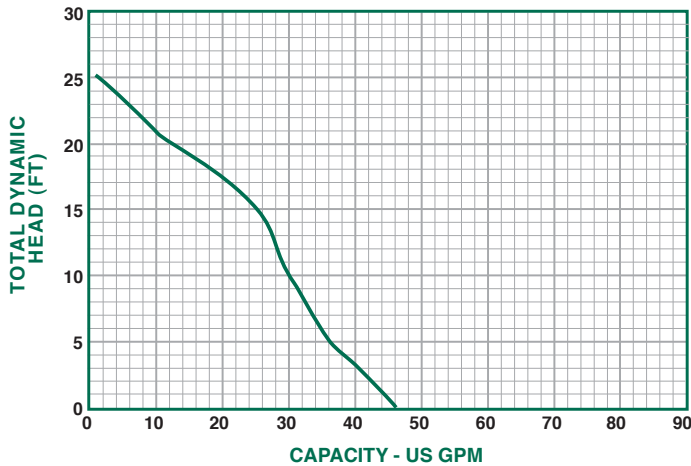
Features:

- Split Capacitor Motor - 3/10 HP continuous duty, thermal protected
- Lifts water up to 25' of vertical height
- 10' power cord, 25' cords are available for an additional charge
- Large 1 1/2" discharge for high capacity pumping
- Non-clogging stainless steel impeller
- Tethered float switch

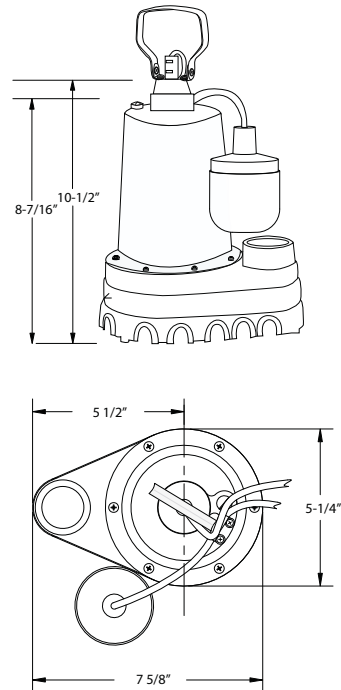


See Pumps & Accessories Price List for Limited Warranty details.

Performance Curve



Dimensions



Performance

Model	Gallons per Minute in Feet					
	0	5	10	15	20	25
5030CTSP	46	36	30	25	12	1

Specifications

Model No.	HP	Volts	Hz	Amps	Construction	Discharge Size	Cord Length	Solids Handling	RPM	Phase	Wt.
5030CTSP	3/10	120	60	4.1	Cast Iron	1 1/2"	10'	3/8"	3450	1	19

Sump, Sewage, & Effluent Pumps

5033PVSP Sump Pumps

With a tough thermoplastic construction, the 5033PVSP can handle up to 40 gallons per minute (GPM).

Features:

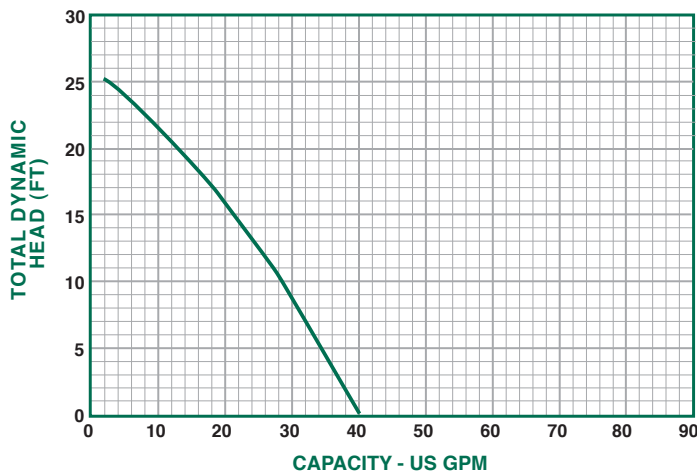
- Split Capacitor Motor - 1/3 HP continuous duty, thermal protected
- Lifts water up to 25' of vertical height
- 10' power cord, 25' cords are available for an additional charge
- Large 1 1/4" or 1 1/2" discharge for high capacity pumping
- Also available without a switch
- Clog resistant impeller
- Vertical float switch



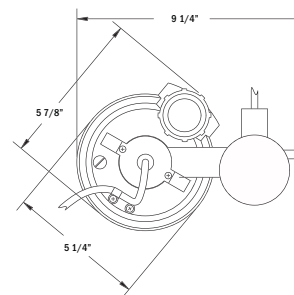
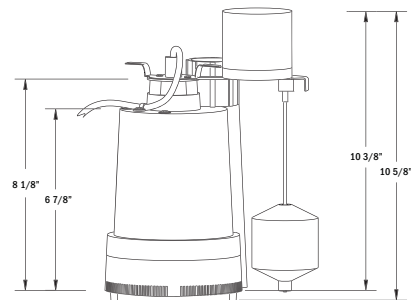
See Pumps & Accessories Price List for Limited Warranty details.



Performance Curve



Dimensions



Performance

Model	Gallons per Minute in Feet					
	0	5	10	15	20	25
5033PVSP	40	34	28	22	12	2

Specifications

Model No.	HP	Volts	Hz	Amps	Construction	Discharge Size	Cord Length	Solids Handling	RPM	Phase	Wt.
5033PVSP	1/3	120	60	4.1	Thermoplastic	1 1/4" or 1 1/2"	10'	1/8"	3450	1	10

5033CVSP 5033CUSP, & 5033CUSP25 Sump Pumps

With a rugged cast iron construction, the 5033CVSP, 5033CUSP, and 5033CUSP25 can handle up to 60 gallons per minute (GPM).

Features:

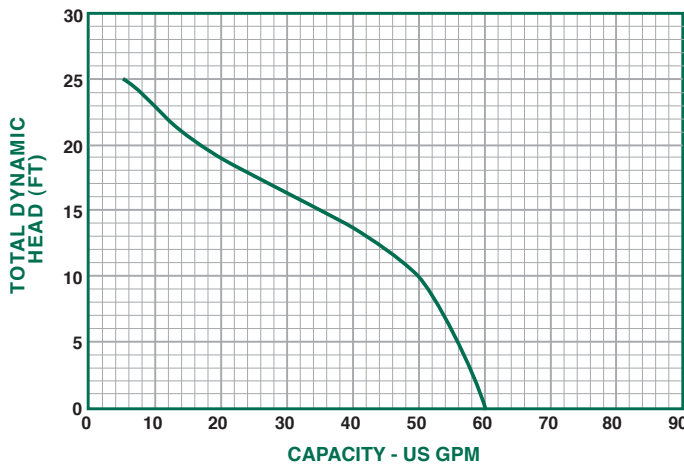
- Split Capacitor Motor - 1/3 HP continuous duty, thermal protected
- Lifts water up to 25' of vertical height
- 10' power cord, 25' cords are available for an additional charge
- Large 1 1/2" discharge for high capacity pumping
- Also available without a switch
- Clog resistant impeller
- Vertical float switch



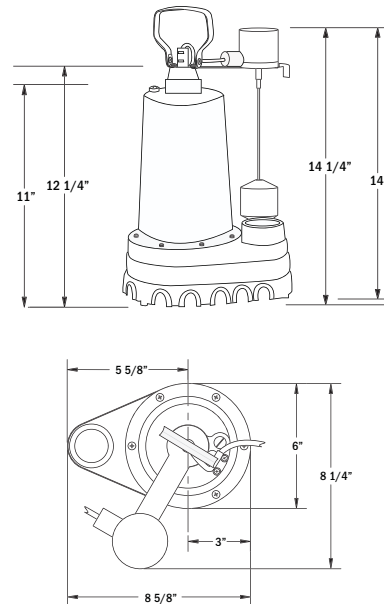
See Pumps & Accessories Price List for Limited Warranty details.



Performance Curve



Dimensions



Performance

Model	Gallons per Minute in Feet					
5033CUSP	0	5	10	15	20	25
5033CUSP25	60	56	50	35	15	6
5033CVSP						

Specifications

Model No.	HP	Volts	Hz	Amps	Construction	Discharge Size	Cord Length	Solids Handling	RPM	Phase	Wt.
5033CVSP	1/3	120	60	5.9	Cast Iron	1 1/2"	10'	1/2"	3450	1	25
5033CUSP (NO SWITCH)	1/3	120	60	5.9	Cast Iron	1 1/2"	10'	1/2"	3450	1	24
5033CUSP25 (NO SWITCH)	1/3	120	60	5.9	Cast Iron	1 1/2"	25'	1/2"	3450	1	25

5050CVSP & 5050CUSP25 Sump Pumps

With a rugged cast iron construction, the 5050CVSP and 5050CUSP25 can handle up to 70 gallons per minute (GPM).

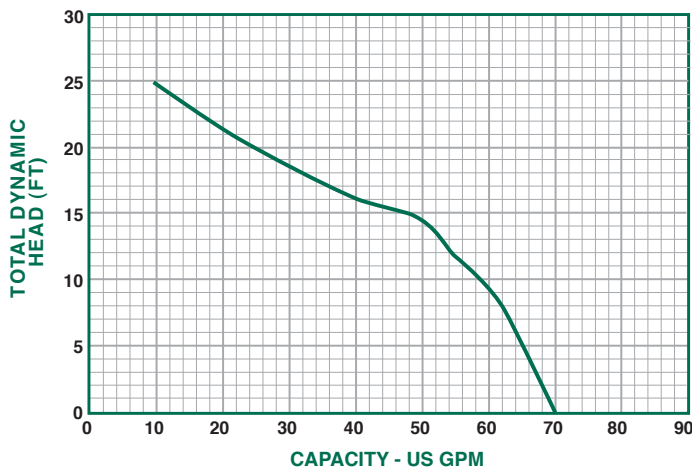
Features:

- Split Capacitor Motor - 1/2 HP continuous duty, thermal protected
- Lifts water up to 25' of vertical height
- 10' power cord, 25' cords are available for an additional charge
- Large 1 1/2" discharge for high capacity pumping
- Also available without a switch
- Clog resistant impeller
- Vertical float switch

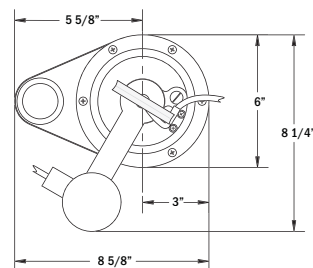
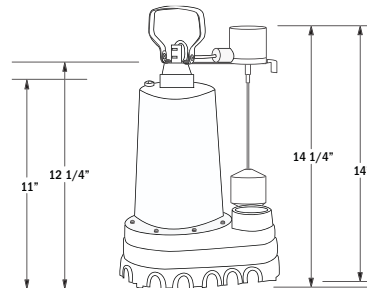


See Pumps & Accessories Price List for Limited Warranty details.

Performance Curve



Dimensions



Performance

Model	0	5	10	15	20	25
5050CUSP25	70	66	58	48	25	10
5050CVSP						

Specifications

Model No.	HP	Volts	Hz	Amps	Construction	Discharge Size	Cord Length	Solids Handling	RPM	Phase	Wt.
5050CVSP	1/2	120	60	7.6	Cast Iron	1 1/2"	10'	1/2"	3450	1	25
5050CUSP25 (NO SWITCH)	1/2	120	60	7.6	Cast Iron	1 1/2"	25'	1/2"	3450	1	27

Sump, Sewage, & Effluent Pumps

5033PVPD Sump Pumps

The 5033PVPD is designed for use in sump basins 12" or larger. It has a tough thermoplastic base and will handle liquids up to 120°F.

Features:

- Fully adjustable automatic switch
- Metal switch arm for strength and durability
- 1 1/4" discharge for high capacity pumping
- Non-corrosive plated steel drive shaft

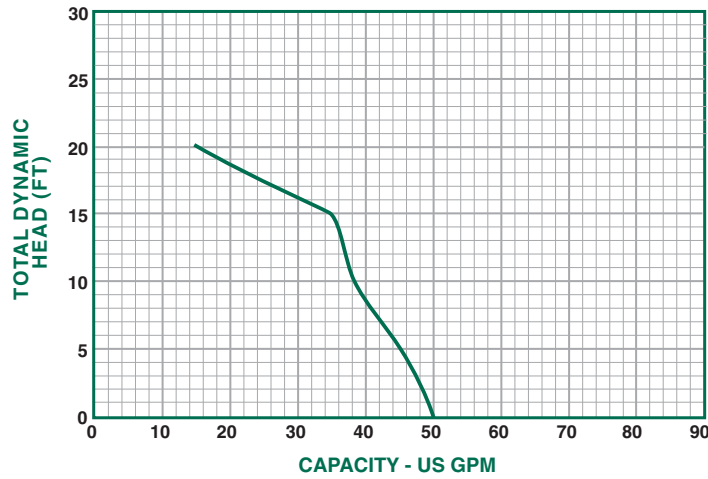
***Non-submersible pump! Motor cannot get wet.**



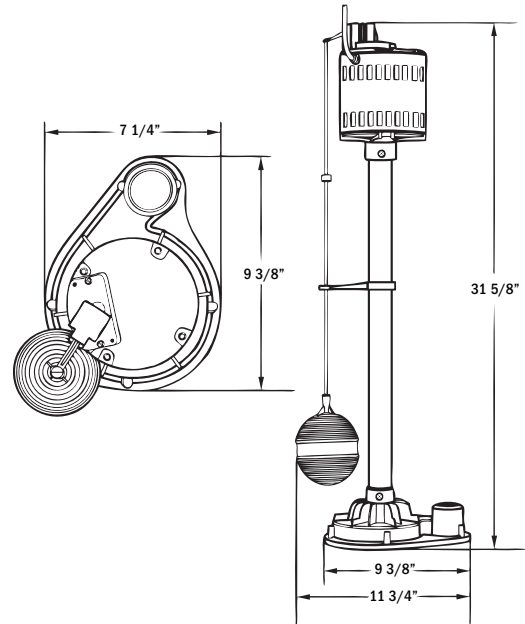
See Pumps & Accessories Price List for Limited Warranty details.



Performance Curve



Dimensions



Performance

Model	Gallons per Minute in Feet					
	0	5	10	15	20	25
5033PVPD	50	45	38	35	15	-

Specifications

Model No.	HP	Amps	Base Material	Discharge Size	Column Material	Impeller Material	Cord Length	Wt.
5033PVPD	1/3	2.76	Thermoplastic	1 1/4"	Thermoplastic	Stainless Steel	10'	16

Sump, Sewage, & Effluent Pumps

5050CVPD Sump Pumps

The 5050CVPD is designed for use in sump basins 12" or larger. It has a strong cast iron base construction and will handle liquids up to 180°F.

Features:

- Fully adjustable automatic switch
- Metal switch arm for strength and durability
- 1 1/2" discharge for high capacity pumping
- Non-corrosive stainless steel drive shaft, impeller & float ball

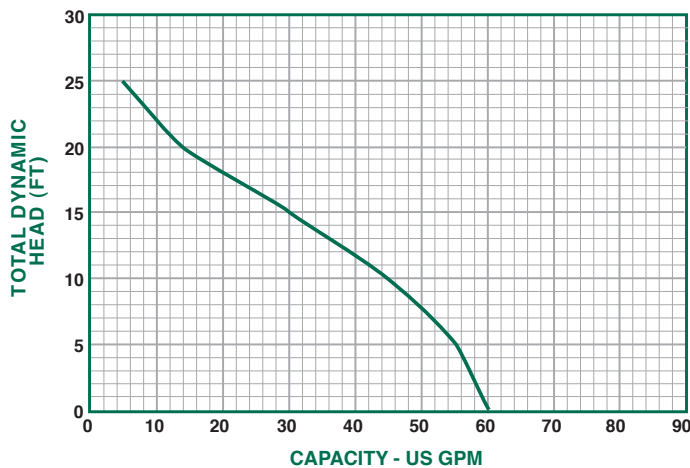
***Non-submersible pump! Motor cannot get wet.**



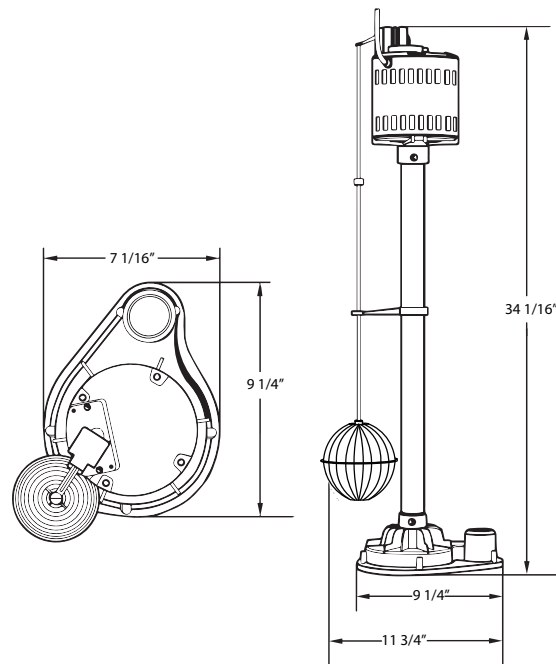
See Pumps & Accessories Price List for Limited Warranty details.



Performance Curve



Dimensions



Performance

Model	Gallons per Minute in Feet					
	0	5	10	15	20	25
5050CVPD	60	55	45	30	12	5

Specifications

Model No.	HP	Amps	Base Material	Discharge Size	Column Material	Impeller Material	Cord Length	Wt.
5050CVPD	1/2	3.06	Cast Iron	1 1/2"	Stainless Steel	Stainless Steel	10'	28

5033CVSPEZ Sump Pumps

With its rugged cast iron construction and strong plastic base, the 5033CVSPEZ can handle up to 60 gallons per minute (GPM). It is pre-plumbed with a check valve and discharge pipe. Easy to install - everything you need comes in one box.

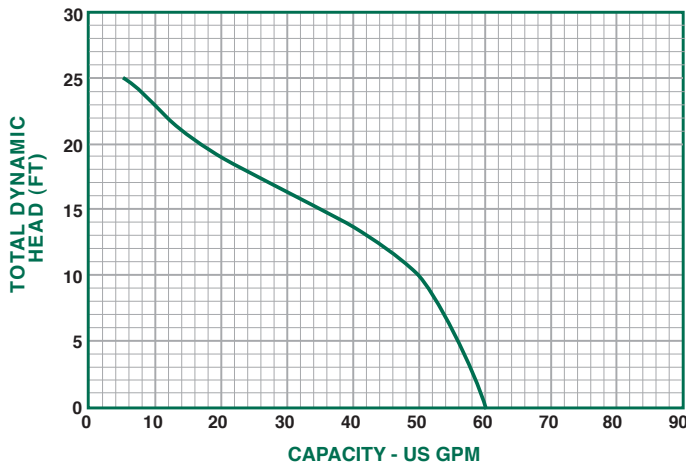
Features:

- Pump is mounted to the base to prevent clogging and switch malfunction
- Split Capacitor Motor - 1/3 HP continuous duty, thermal protected
- Lifts water up to 25' of vertical height
- 10' power cord, 25' cords are available for an additional charge
- Large 1 1/2" discharge for high capacity pumping
- Clog resistant impeller
- Vertical float switch
- Pre-plumbed

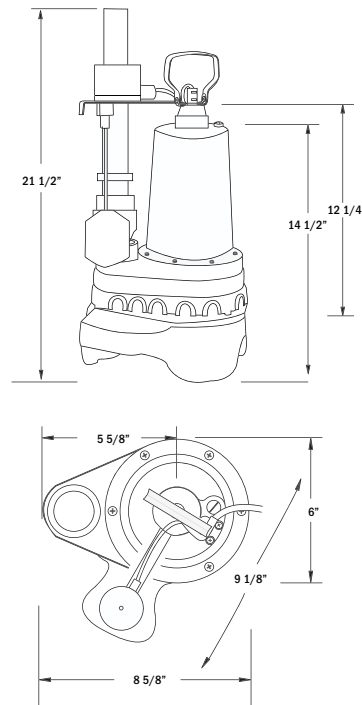


See Pumps & Accessories Price List for Limited Warranty details.

Performance Curve



Dimensions



Performance

Model	Gallons per Minute in Feet					
	0	5	10	15	20	25
5033CVSP	60	56	50	35	15	6

Specifications

Model No.	HP	Volts	Hz	Amps	Construction	Discharge Size	Cord Length	Solids Handling	RPM	Phase	Wt.
5033CVSPEZ	1/3	120	60	5.9	Cast Iron	1 1/2"	10'	1/2"	3450	1	28

5030CVSPK Sump Pumps

This pre-assembled sink drain system has a six gallon capacity basin. It is great for laundry tubs, washing machines, wet bars, and dehumidifiers. For easy installation, it comes pre-assembled.

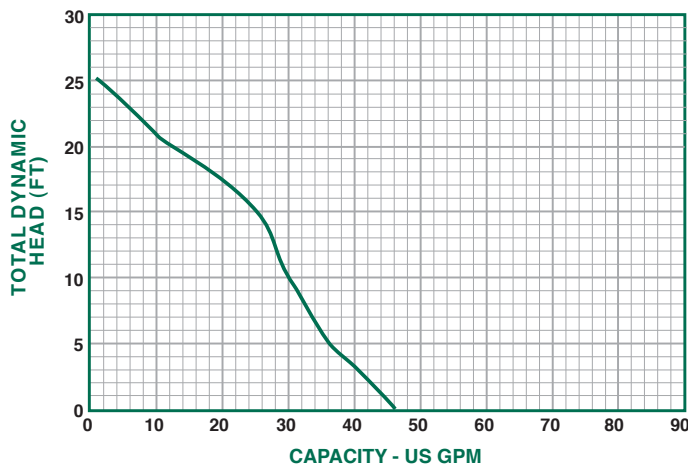
Features:

- 5030CVSP 3/10 HP cast iron sump pump with vertical switch
- 15" x 13 1/2" durable structural foam basin with 1 1/2" FNPT inlet
- 1 1/2" Full Flow Check Valve with Rubber Boots
- Structural foam cover with 1 1/2" FNPT discharge and vent
- Non-clogging stainless steel impeller

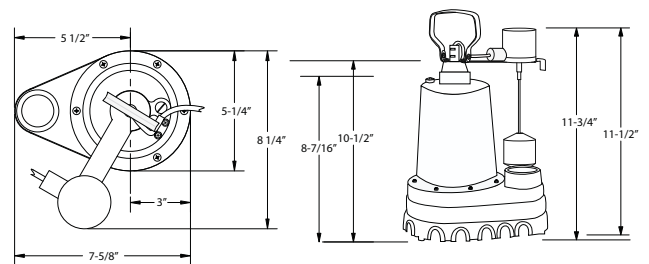
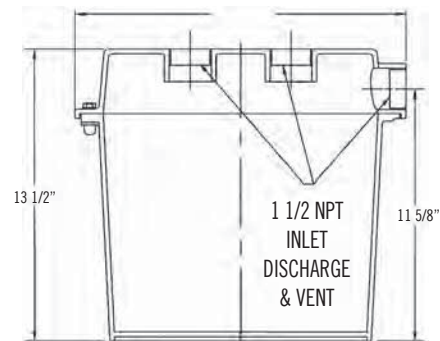


See Pumps & Accessories Price List for Limited Warranty details.

Performance Curve



Dimensions



Performance

Model	Gallons per Minute in Feet					
	0	5	10	15	20	25
5030CVSP	46	36	30	25	12	1

Specifications

Model No.	HP	Volts	Hz	Amps	Construction	Discharge Size	Cord Length	Solids Handling	RPM	Phase	Wt.
5030CVSPK	3/10	120	60	4.1	Cast Iron	1 1/2"	10'	3/8"	3450	1	30

5030CVSPCSK Sump Pumps

With pre-drilled holes in the basin, this sump pump kit can be used for pumping water out of crawl spaces. The kit includes everything pictured on the right.

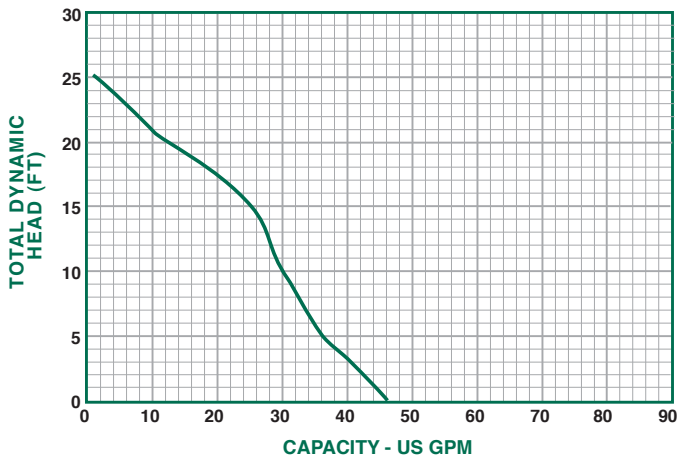
Features:

- 5030CVSP 3/10 HP cast iron sump pump with vertical float switch
- 18 1/4" x 17 1/4" Poly basin with slotted cover
- 24' hose - 1 1/4"
- 1 1/2" x 1 1/4" Hose adaptor with stainless steel clamp
- Non-clogging stainless steel impeller

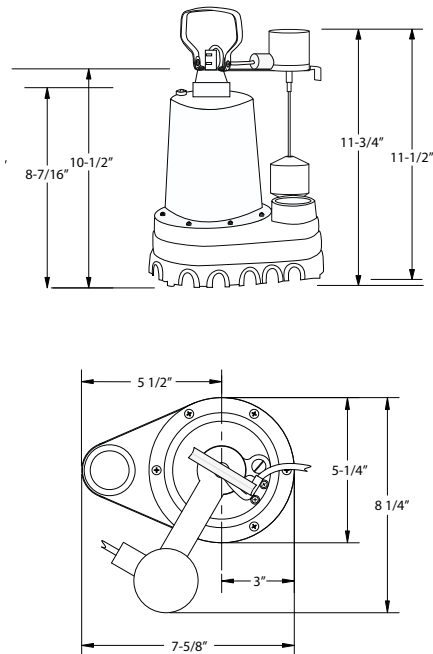


See Pumps & Accessories Price List for Limited Warranty details.

Performance Curve



Dimensions



Performance

Model	Gallons per Minute in Feet					
	0	5	10	15	20	25
5030CVSP	46	36	30	25	12	1

Specifications

Model No.	HP	Volts	Hz	Amps	Construction	Discharge Size	Cord Length	Solids Handling	RPM	Phase	Wt.
5030CVSPCSK	3/10	120	60	4.1	Cast Iron	1 1/2"	10'	3/8"	3450	1	34

5025PTSPCWB Sump Pumps

This pre-assembled clear water basin package would be great for new home construction that requires both a sump pump and basin to be installed.

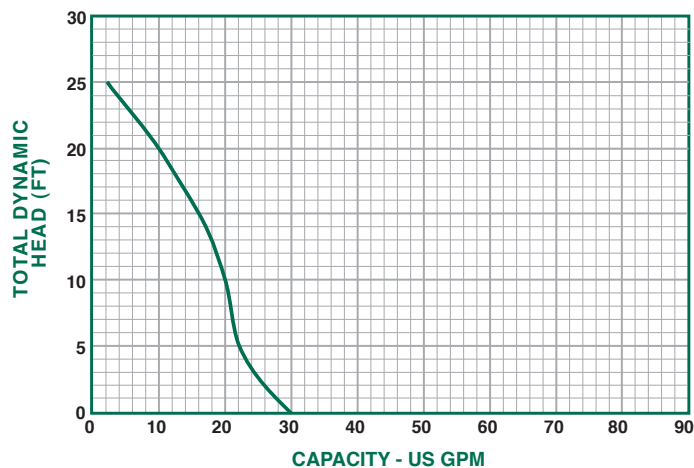
Features:

- 5025PTSP 1/4 HP Thermoplastic sump pump with tethered float switch
- 18" x 24" Structural foam basin with slotted cover
- 1 1/2" Full flow check valve with rubber boots
- 2' 1 1/2" PVC pipe
- Clog resistant impeller

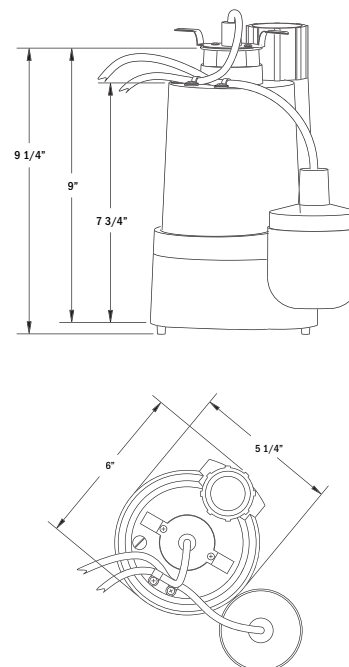


See Pumps & Accessories Price List for Limited Warranty details.

Performance Curve



Dimensions



Performance

Model	Gallons per Minute in Feet					
	0	5	10	15	20	25
5025PTSP	30	22	20	16	9	2

Specifications

Model No.	HP	Volts	Hz	Amps	Construction	Discharge Size	Cord Length	Solids Handling	RPM	Phase	Wt.
5025PTSPCWB	1/4	120	60	3.8	Thermoplastic	1 1/4" or 1 1/2"	10'	1/8"	3450	1	29

5033CUEF Effluent Pumps

With a rugged cast iron construction, the 5033CUEF and 5033CTEF25 can handle up to 60 gallons per minute (GPM).

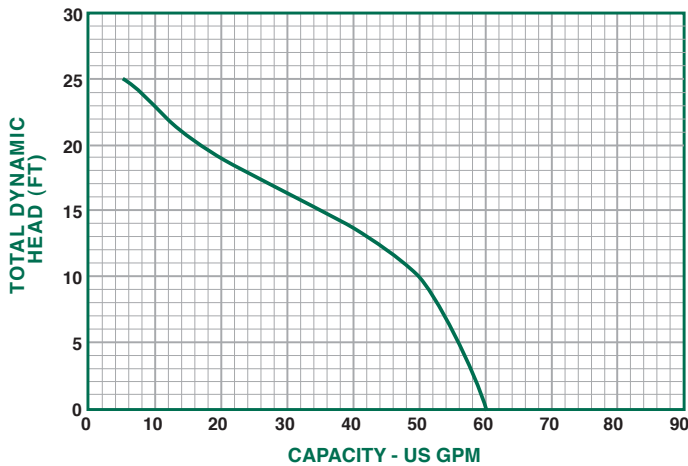
Features:

- Split Capacitor Motor - 1/3 HP continuous duty, thermal protected
- Lifts water up to 25' of vertical height
- 10' power cord, 25' cords are available for an additional charge
- Large 1 1/2" discharge for high capacity pumping
- Also available without a switch
- Non-clogging stainless steel vortex impeller
- Tethered float switch
- Handles 5/8" solids

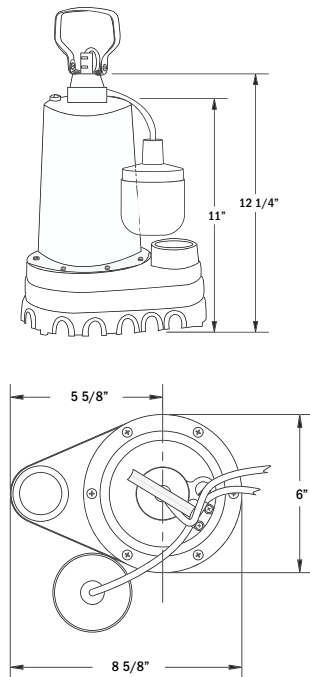


See Pumps & Accessories Price List for Limited Warranty details.

Performance Curve



Dimensions



Performance

Model	0	5	10	15	20	25
5033CUEF	60	56	50	35	15	6

Specifications

Model No.	HP	Volts	Hz	Amps	Construction	Discharge Size	Cord Length	Solids Handling	RPM	Phase	Wt.
5033CUEF (NO SWITCH)	1/3	120	60	5.9	Cast Iron	1 1/2"	10'	5/8"	3450	1	24

5050CUEF, 5050CTEF, & 5050CTEF25 Effluent Pumps

With a rugged cast iron construction, the 5050C Series can handle up to 70 gallons per minute (GPM).

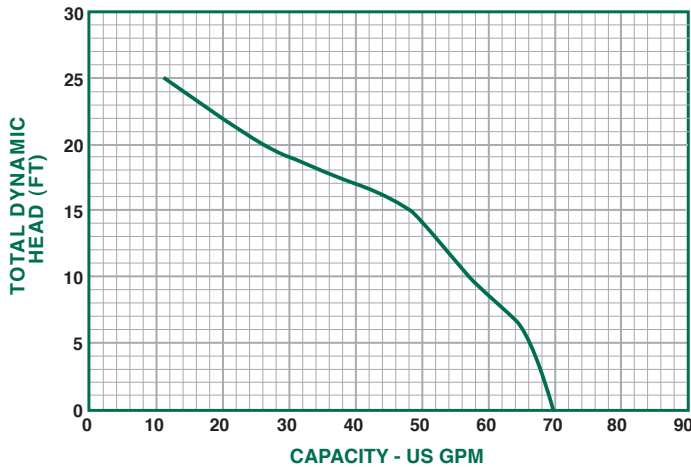
Features:

- Split Capacitor Motor - 1/2 HP continuous duty, thermal protected
- Lifts water up to 25' of vertical height
- 10' power cord, 25' cords are available for an additional charge
- Large 1 1/2" discharge for high capacity pumping
- Also available with or without tethered switch
- Non-clogging stainless steel vortex impeller
- Handles 5/8" solids

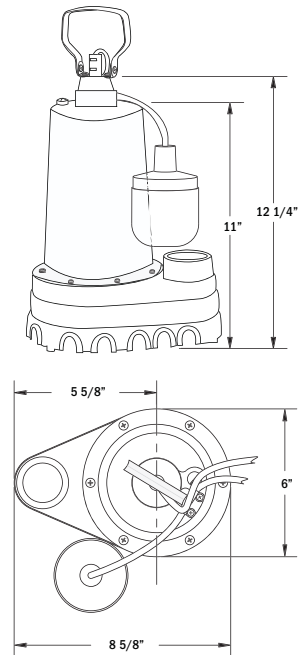


See Pumps & Accessories Price List for Limited Warranty details.

Performance Curve



Dimensions



Performance

Model	Gallons per Minute in Feet					
	0	5	10	15	20	25
5050CUEF						
5050CTEF						
5050CTEF25	70	66	58	48	25	10

Specifications

Model No.	HP	Volts	Hz	Amps	Construction	Discharge Size	Cord Length	Solids Handling	RPM	Phase	Wt.
5050CUEF (NO SWITCH)	1/2	120	60	7.6	Cast Iron	1 1/2"	10'	5/8"	3450	1	24
5050CTEF	1/2	120	60	7.6	Cast Iron	1 1/2"	10'	5/8"	3450	1	25
5050CTEF25	1/2	120	60	7.6	Cast Iron	1 1/2"	25'	5/8"	3450	1	28

5050CVEF Effluent Pumps

With a rugged cast iron construction, the 5050CVEF can handle up to 70 gallons per minute (GPM).

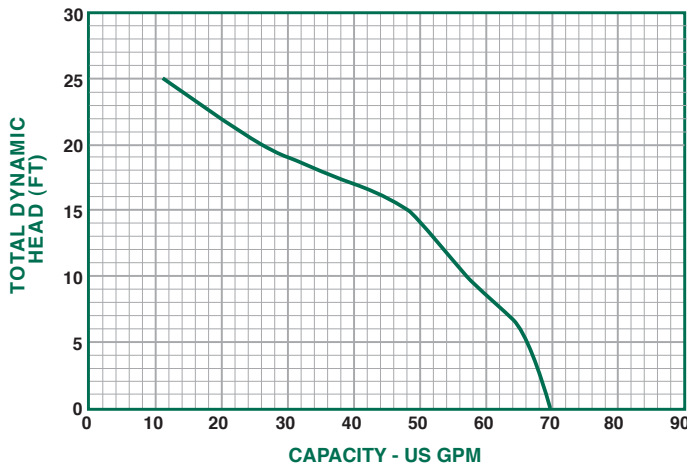
Features:

- Split Capacitor Motor - 1/2 HP continuous duty, thermal protected
- Lifts water up to 25' of vertical height
- 10' power cord
- Large 1 1/2" discharge for high capacity pumping
- Non-clogging stainless steel vortex impeller
- Vertical float switch
- Handles 5/8" solids

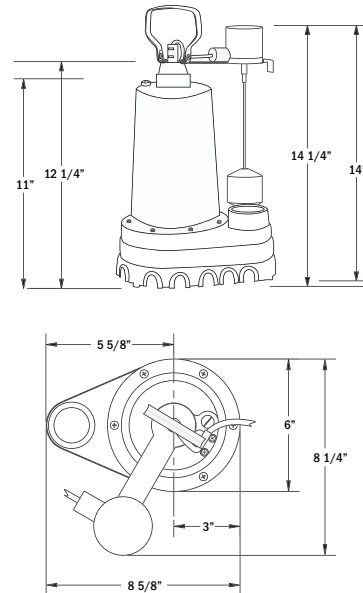


See Pumps & Accessories Price List for Limited Warranty details.

Performance Curve



Dimensions



Performance

Model	Gallons per Minute in Feet					
	0	5	10	15	20	25
5050CVEF	70	66	58	48	25	10

Specifications

Model No.	HP	Volts	Hz	Amps	Construction	Discharge Size	Cord Length	Solids Handling	RPM	Phase	Wt.
5050CVEF	1/2	120	60	7.6	Cast Iron	1 1/2"	10'	5/8"	3450	1	25

Sump, Sewage, & Effluent Pumps

5040CTEFH25 5050CUEFH25, & 5050CTEFH25 High Head Effluent Pumps

This high quality and dependable pump features a stainless steel housing and a cast iron base. With a built-in thermal overload protection for safety and a permanent split capacitor continuous duty motor. Convenient carrying handle is attached.

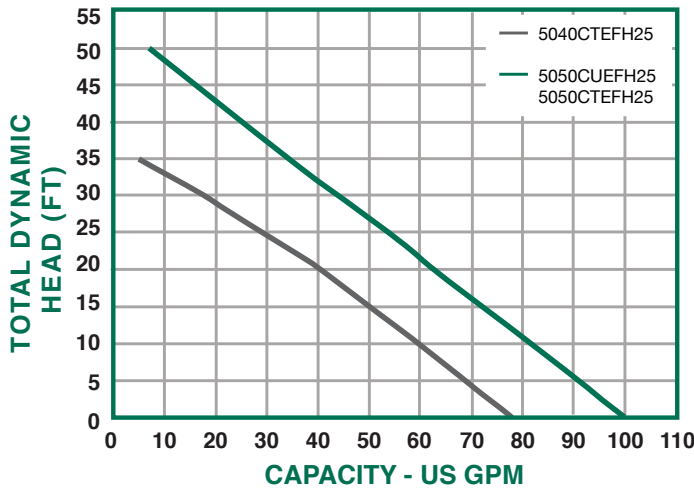
Features:

- Non-clogging stainless steel vortex impeller
- Also available without a switch
- 2" or 1 1/2" FNPT with adapter - discharge size
- Tethered float switch
- Handles 3/4" solids

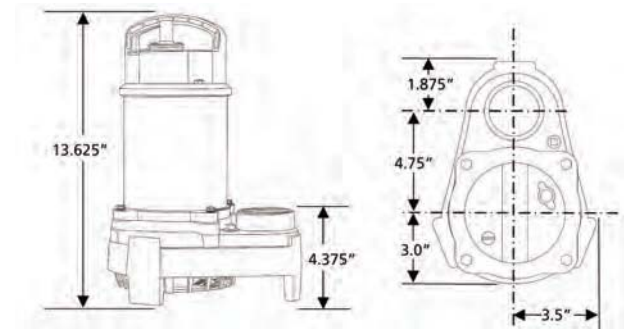


See Pumps & Accessories
Price List for Limited Warranty details.

Performance Curve



Dimensions



Performance

Model	Gallons per Minute in Feet										
	0	5	10	15	20	25	30	35	40	45	50
5040CTEFH25	78	69	60	50	41	29	18	5	-	-	-
5050CUEFH25 5050CTEFH25	100	91	82	72	63	54	44	34	25	16	7

Specifications

Model No.	HP	Volts	Hz	Amps	Construction	Discharge Size	Cord Length	Solids Handling	Switch	Phase	Wt.
5040CTEFH25	4/10	120	60	7.5	Cast Iron / Stainless Steel	2" or 1 1/2"	25'	3/4"	Tethered	1	27
5050CUEFH25 (NO SWITCH)	1/2	120	60	12	Cast Iron / Stainless Steel	2" or 1 1/2"	25'	3/4"	N/A	1	26
5050CTEFH25	1/2	120	60	12	Cast Iron / Stainless Steel	2" or 1 1/2"	25'	3/4"	Tethered	1	28

5050CUSJ & 5050CVSJ Sewage Pumps

With a rugged cast iron construction, the 5050CUSJ and 5050CVSJ can handle up to 80 gallons per minute (GPM).

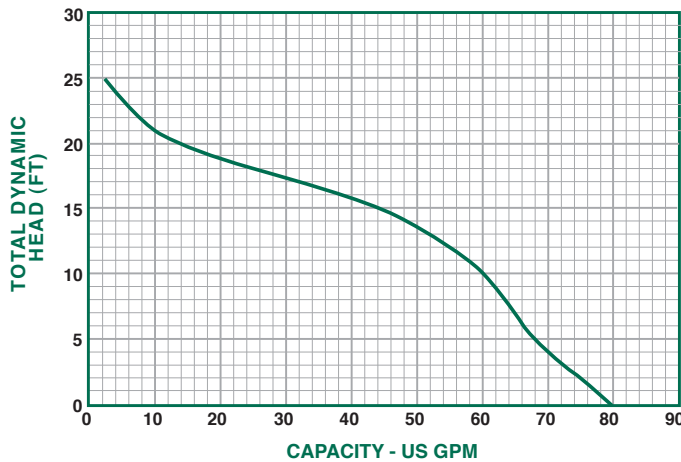
Features:

- Split Capacitor Motor - 1/2 HP continuous duty, thermal protected
- Lifts water up to 25' of vertical height
- 10' Power Cord
- Large 2" discharge for high capacity pumping
- Easily handles 2" solids
- Non-clogging cast stainless steel vortex impeller
- Also available without a switch
- Vertical float switch

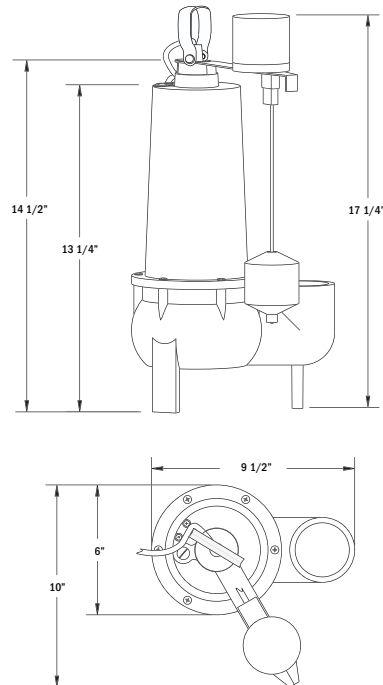


See Pumps & Accessories Price List for Limited Warranty details.

Performance Curve



Dimensions



Performance

Model	Gallons per Minute in Feet					
5050CUSJ	0	5	10	15	20	25
5050CVSJ	80	68	60	44	13	2

Specifications

Model No.	HP	Volts	Hz	Amps	Construction	Discharge Size	Cord Length	Solids Handling	RPM	Phase	Wt.
5050CUSJ (NO SWITCH)	1/2	120	60	7.6	Cast Iron	2"	10'	2"	3450	1	25
5050CVSJ	1/2	120	60	7.6	Cast Iron	2"	10'	2"	3450	1	26

Sump, Sewage, & Effluent Pumps

5050CTSJ & 5050CTSJ25 Sewage Pumps

With a rugged cast iron construction, the 5050CTSJ and 5050CTSJ25 can handle up to 80 gallons per minute (GPM).

Features:

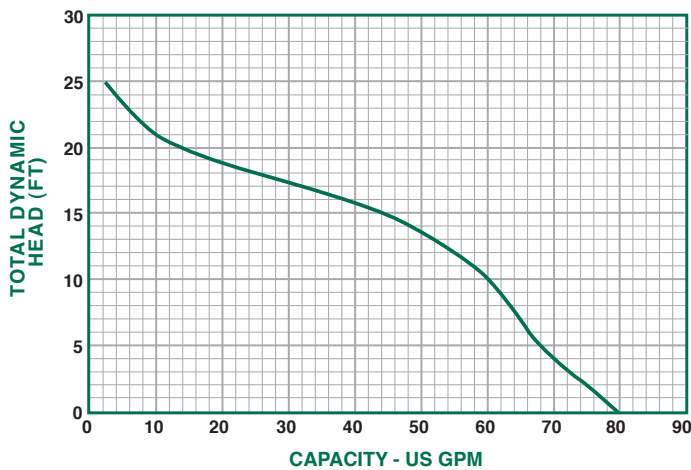
- Split Capacitor Motor - 1/2 HP continuous duty, thermal protected
- Lifts water up to 25' of vertical height
- 10' power cord, 25' cords are available for an additional charge
- Large 2" discharge for high capacity pumping
- Easily handles 2" solids
- Non-clogging cast stainless steel vortex impeller
- Tethered float switch



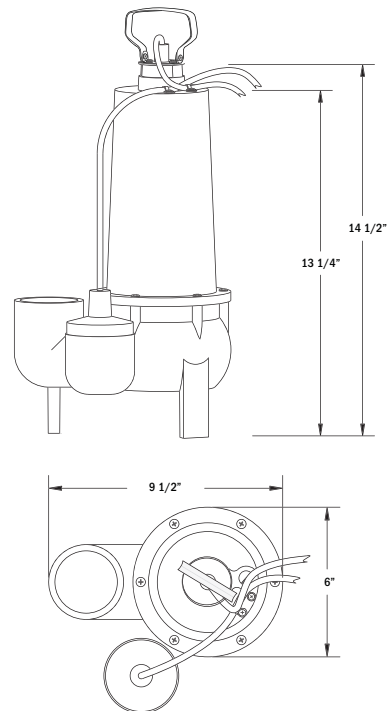
See Pumps & Accessories Price List for Limited Warranty details.



Performance Curve



Dimensions



Performance

Model	Gallons per Minute in Feet					
5050CTSJ	0	5	10	15	20	25
5050CTSJ25	80	68	60	44	13	2

Specifications

Model No.	HP	Volts	Hz	Amps	Construction	Discharge Size	Cord Length	Solids Handling	RPM	Phase	Wt.
5050CTSJ	1/2	120	60	7.6	Cast Iron	2"	10'	2"	3450	1	27
5050CTSJ25	1/2	120	60	7.6	Cast Iron	2"	25'	2"	3450	1	28

Sump, Sewage, & Effluent Pumps

5050CTSJ15, 5050CVSJ15, & 5050CTSJH25 1/2 HP High Volume Sewage Pump

This high quality and dependable pump features a stainless steel housing and a cast iron base. With a built-in thermal overload protection for safety and a permanent split capacitor continuous duty motor. Convenient carrying handle is attached.

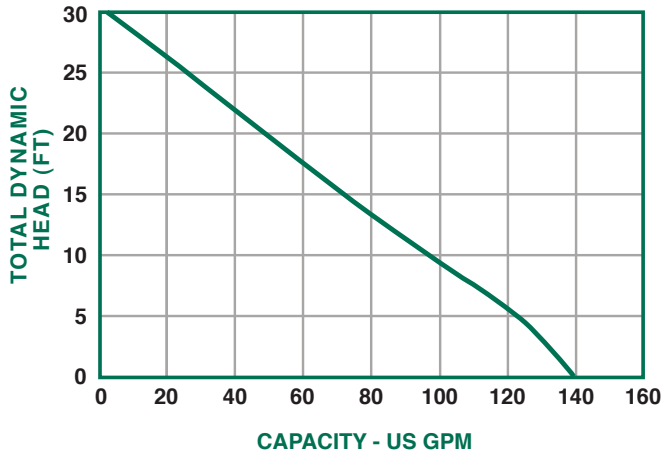
Features:

- Split Capacitor Motor -
1/2 HP continuous duty, thermal protected
- Lifts water up to 30' of vertical height
- 15' power cord & 25' option
- Large 2" discharge for high capacity pumping
- Easily handles 2" solids
- Non-clogging cast stainless steel vortex impeller
- Vertical, tethered, or no float switch

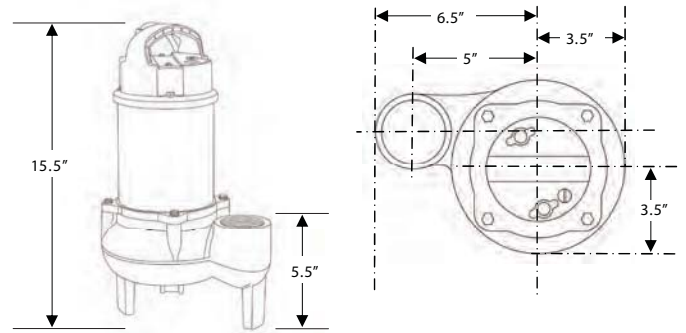


See Pumps & Accessories Price List for Limited Warranty details.

Performance Curve



Dimensions



Performance

Model	Gallons per Minute in Feet							
	0	5	10	15	20	25	30	
5050CTSJ15	0	5	10	15	20	25	30	
5050CVSJ15	140	123	97	72	49	25	3	
5050CTSJH25								

Specifications

Model No.	HP	Volts	Hz	Amps	Construction	Discharge Size	Cord Length	Solids Handling	Switch	Phase	Wt.
5050CTSJ15	1/2	120	60	12	Cast Iron / Stainless Steel	2"	15'	2"	Tethered	1	25
5050CVSJ15	1/2	120	60	12	Cast Iron / Stainless Steel	2"	15'	2"	Vertical	1	25
5050CTSJH25	1/2	120	60	12	Cast Iron / Stainless Steel	2"	25'	2"	Vertical	1	25

5050CTSJPAC Sewage Package

This pre-assembled simplex sewage package is designed to be used in any residential sewage application. With a 30 gallon capacity, 2" solids handling, and a 2" discharge pipe connected to the sewage pump, the package is ready to be installed.

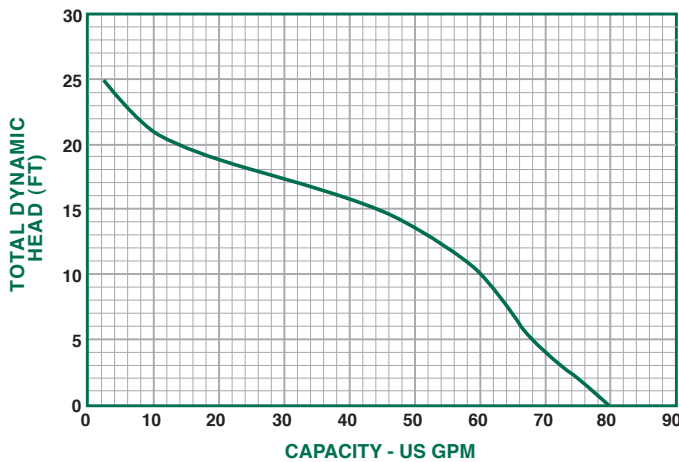
Features:

- 5050CTSJ 1/2 HP sewage pump with tethered switch
- 18" structural foam cover with gasket kit
- 18" x 30" durable structural foam sewage basin with 4" inlet
- 2" Full flow check valve with rubber boots
- 4" Snap-In-Hub with stainless steel clamp
- Stainless steel fasteners for cover
- 30" Long 2" PVC stub pipe
- Non-clogging stainless steel vortex impeller

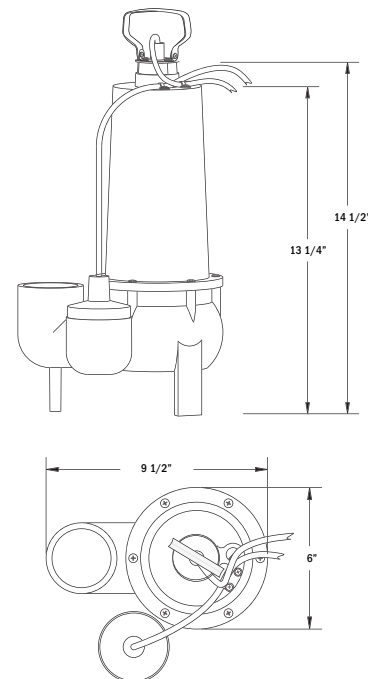


See Pumps & Accessories Price List for Limited Warranty details.

Performance Curve



Dimensions



Performance

Model	Gallons per Minute in Feet					
	0	5	10	15	20	25
5050CTSJ	80	68	60	44	13	2

Specifications

Model No.	HP	Volts	Hz	Amps	Construction	Discharge Size	Cord Length	Solids Handling	RPM	Phase	Wt.
5050CTSJPAC	1/2	120	60	7.6	Cast Iron	2"	10'	2"	3450	1	54

5050CTSJPACSDA Sewage Package

This pre-assembled simplex sewage package with side discharge and alarm is designed to be used in any residential sewage application. With a 30 gallon capacity, 2" solids handling, and a 2" discharge pipe connected to the sewage pump, the package is ready to be installed.

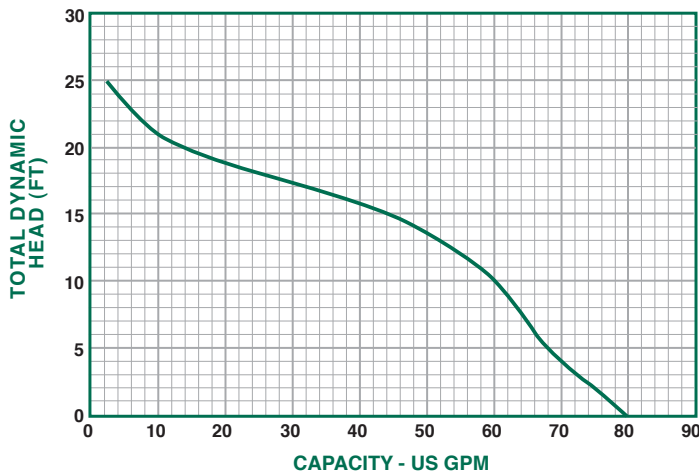
Features:

- 5050CTSJ25 1/2 HP sewage pump with tethered switch
- 18" structural foam cover with gasket kit
- 18" x 30" durable structural foam sewage basin with 4" inlet with "Snap-In-Hub"
- 2" Full flow check valve with rubber boots
- 4" Snap-In-Hub with stainless steel clamp
- Stainless steel fasteners for cover
- 30" Long 2" PVC stub pipe
- Automatic alarm reset, silence switch, and alarm test switch, alarm enclosure rated for outdoor use
- NEMA 3R Tank alarm
- Non-clogging stainless steel vortex impeller

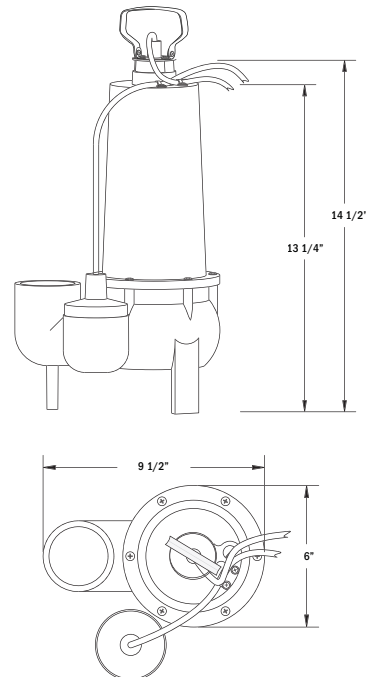


See Pumps & Accessories Price List for Limited Warranty details.

Performance Curve



Dimensions



Performance

Model	Gallons per Minute in Feet					
	0	5	10	15	20	25
5050CTSJ25	80	68	60	44	13	2

Specifications

Model No.	HP	Volts	Hz	Amps	Construction	Discharge Size	Cord Length	Solids Handling	RPM	Phase	Wt.
5050CTSJPACSDA	1/2	120	60	7.6	Cast Iron	2"	25'	2"	3450	1	62

5050CTSJPACDA1 Sewage Package

This pre-assembled simplex sewage package with top discharge and alarm is designed to be used in any residential sewage application. With a 30 gallon capacity, 2" solids handling, and a 2" discharge pipe connected to the sewage pump, the package is ready to be installed.

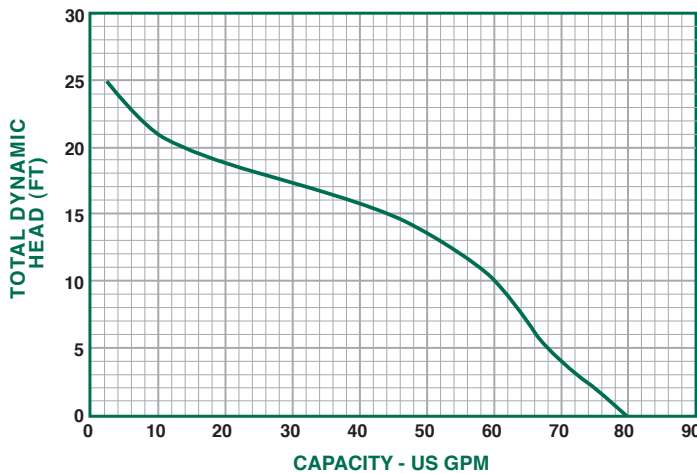
Features:

- 5050CTSJ 1/2 HP sewage pump with tethered switch
- 18" structural foam cover with gasket kit
- 18" x 30" durable structural foam sewage basin with 4" inlet with "Combo Hub"
- 2" Full flow check valve with rubber boots
- 4" Snap-In-Hub with stainless steel clamp
- Stainless steel fasteners for cover
- 30" Long 2" PVC stub pipe
- Automatic alarm reset, silence switch, and alarm test switch, alarm enclosure rated for outdoor use
- NEMA 1 Tank alarm
- Non-clogging stainless steel vortex impeller

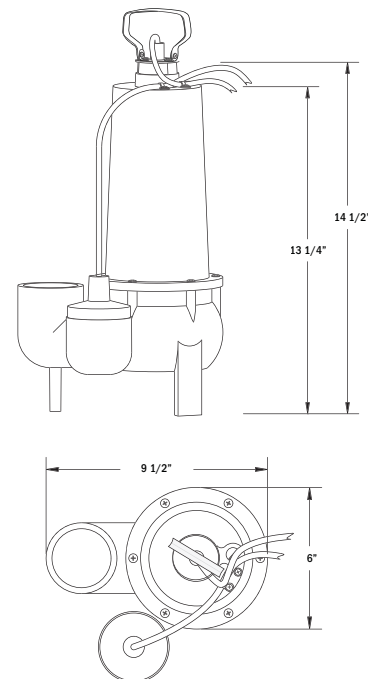


See Pumps & Accessories Price List for Limited Warranty details.

Performance Curve



Dimensions



Performance

Model	Gallons per Minute in Feet					
	0	5	10	15	20	25
5050CTSJ	80	68	60	44	13	2

Specifications

Model No.	HP	Volts	Hz	Amps	Construction	Discharge Size	Cord Length	Solids Handling	RPM	Phase	Wt.
5050CTSJPACDA1	1/2	120	60	7.6	Cast Iron	2"	10'	2"	3450	1	

5050CTSJPAC24 Sewage Package

This pre-assembled 24" x 24" simplex sewage package is designed for use in any residential sewage application with its 45 gallon capacity.

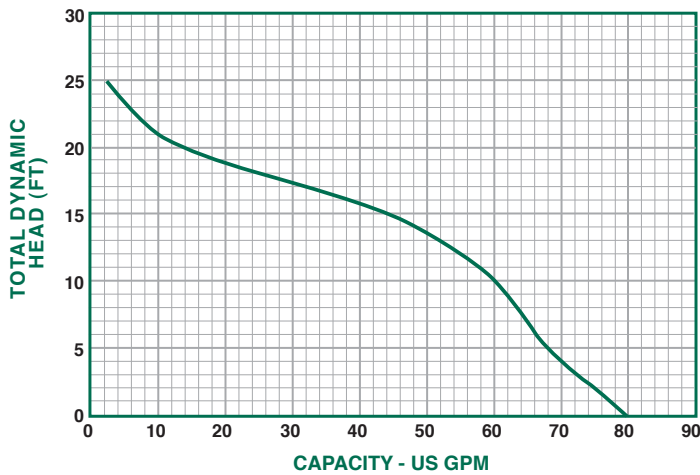
Features:

- 5050CTSJ 1/2 HP sewage pump with tethered switch
- 24" structural foam cover with gasket kit
- 24" x 24" durable structural foam sewage basin with 4" inlet
- 2" Full flow check valve with rubber boots
- 4" Snap-In-Hub with stainless steel clamp
- Non-clogging stainless steel vortex impeller

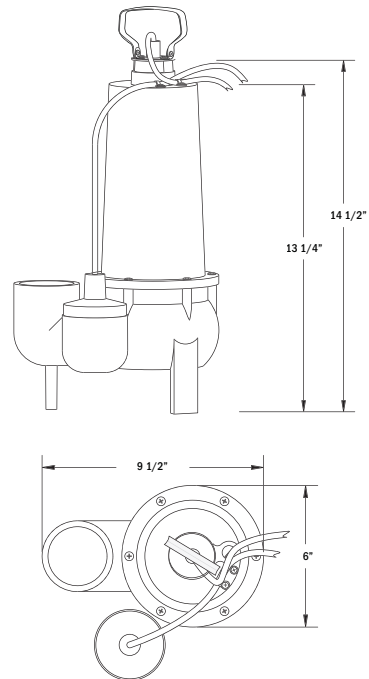


See Pumps & Accessories Price List for Limited Warranty details.

Performance Curve



Dimensions



Performance

Model	Gallons per Minute in Feet					
	0	5	10	15	20	25
5050CTSJ	80	68	60	44	13	2

Specifications

Model No.	HP	Volts	Hz	Amps	Construction	Discharge Size	Cord Length	Solids Handling	RPM	Phase	Wt.
5050CTSJPAC24	1/2	120	60	7.6	Cast Iron	2"	10'	2"	3450	1	62

Sump, Sewage, & Effluent Pumps

5050CTSJPACSL Sewage Package

This pre-assembled simplex sewage package is designed to be used in any residential sewage application. With a 30 gallon capacity, 2" solids handling, and a 2" discharge pipe connected to the sewage pump, the package is ready to be installed. Special feature is the split lid for easy access to pump without disturbing discharge pipe.

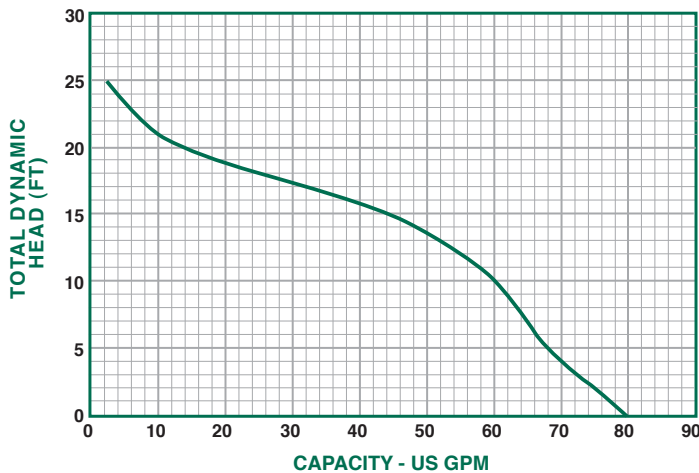
Features:

- 5050CTSJ 1/2 HP Cast iron sewage ejector with tethered switch
- 18" x 30" durable structural foam sewage basin with 4" inlet
- 2" Full flow check valve with rubber boots
- 4" Snap-In-Hub with stainless steel clamp
- 18" structural foam split lid cover with inspection port & gasket kit
- Stainless steel fasteners for cover
- 30" Long 2" PVC stub pipe
- Non-clogging stainless steel vortex impeller

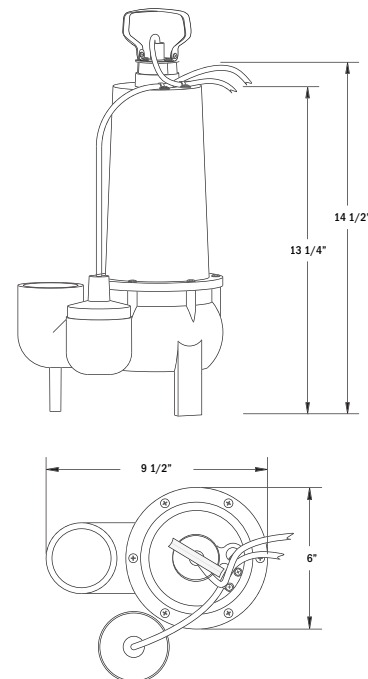


See Pumps & Accessories Price List for Limited Warranty details.

Performance Curve



Dimensions



Performance

Model	Gallons per Minute in Feet					
	0	5	10	15	20	25
5050CTSJ	80	68	60	44	13	2

Specifications

Model No.	HP	Volts	Hz	Amps	Construction	Discharge Size	Cord Length	Solids Handling	RPM	Phase	Wt.
5050CTSJPACSL	1/2	120	60	7.6	Cast Iron	2"	10'	2"	3450	1	58

5000PVSPBU Sump Pump Backup

This battery backup system is designed to provide temporary back-up during power failures or malfunctions with your primary electric sump pump. It works with 12 volt, deep cycle marine battery, which is not included.

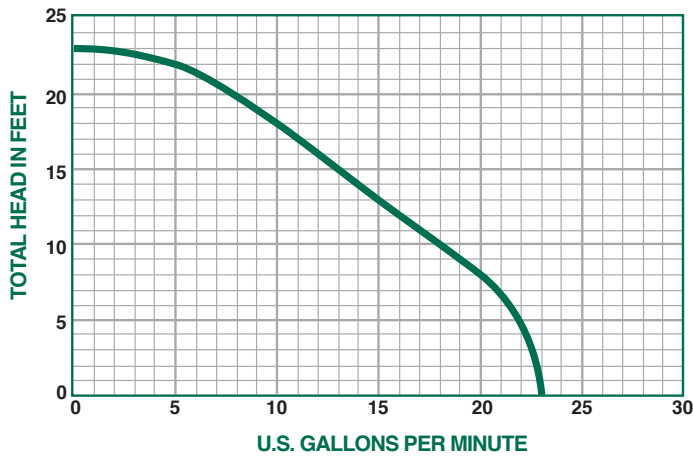
Features:

- 5000PVSPBU 12V DC Thermoplastic sump pump
- Vertical switch and 10' cord
- 1 1/4" or 1 1/2" Discharge (pump discharge 1 1/4", w/ check valve 1 1/2")
- Alarm / Control unit with fuse and mute feature
- Thermoplastic battery box



See Pumps & Accessories Price List for Limited Warranty details.

Performance Curve



*Not sold separately

Performance

Model	Gallons per Minute in Feet				
	0	5	10	15	20
5000PVSPBU	23	22	18	13	8

Specifications

Model No.	Volts	Hz	Amps	Construction	Discharge Size	Cord Length	Solids Handling	Phase	Wt.
5000PVSPBU	12V DC	60	12	Thermoplastic	1 1/4" or 1 1/2"	10'	1/8"	1	14



747H20

Emergency Water Powered Back Up Sump Pump

When the power goes out, the Guardian takes over!

Designed for ground water, sump crocks in homes, motels, hotels, schools, hospitals, industrial buildings, computer and record storage rooms.

Features:

- Made in the USA
- Patented activation valve for Positive ON, Positive OFF
- Designed for intermittent or continuous use
- Supplied with single check valve for your convenience
- Made with high quality brass and PVC materials for corrosion resistance
- Designed for de-watering
- Discharge size 1 1/4" PVC Sch. 80 (IPS)
- 3/4" FNPT inlet
- Minimum pressure 29 PSI, maximum 90 PSI
- Minimum water temperature 32°F

Tank Alert Liquid Level Alarm - 747H20A / 747H20RRA

Tank Alert AB (6190-137 | 120V, NEMA1 enclosure - with mechanical switch, normally open, SignalMaster® float 15' cord, high water alarm with pipe mounting clamp)

Water Removed

Feet of Lift - GPH Removed

Inlet Pressure (PSI)	10'
30	390
40	630
60	906
80	1110



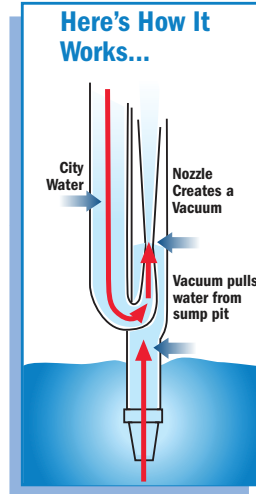
747H20-0001**

BACKFLOW OPTIONS ORDER MODEL

BACKFLOW PROVIDED	3/4" Reduced pressure assembly
ASSE STANDARD	1013
OTHER APPROVALS	Approved by the Foundation for Cross-Connection Control and Hydraulic Research at the University of Southern California

**Where required by code

Model No.	Description	Wt.
747H20	Guardian	11
747H20-0001	Guardian w/ RPZ	16



Radon Ready Model 747H20RR

Operating valve below sump lid.

Allows operating valve to be installed under cover for application where sump lid must be sealed.



Model No.	Description	Wt.
747H20RR	Radon Ready	10
747H20A	w/ Tank Alert Alarm	16
747H20RRA	Radon Ready w/ Alarm	15

Sump, Sewage, & Effluent Pump Accessories

(Use accessories discount)

5000BLK

- Use instead of bricks to raise pump off bottom of basin
- Mounts to pump base to prevent clogging
- Made from durable ABS
- Helps prevent switch malfunction
- Fits all DuraMAC™ Submersible pumps (excludes sewage pumps)



Part No.	Wt.
5000BLK	1

Filters

- Made from durable PVC
- Handles up to 160 GPM without the bag
- 2" MNPT or FNPT threaded outlet
- Optional filter bag prevent clogging
- Easy to clean

Model No.	Description	Wt.
5000LSKIT	Lake Screen Kit	1
5000LSBAG	Lake Screen Bag	1
5000LS	Lake Screen Filter	2

(use accessories discount)

5000LS - Filter Only



5000LSKIT - Filter & Bag



5000LSBAG Bag Only



Openings measure 3/8" wide x 1/8" high

Floats

Vertical

Model No.	Switch	Cord Length	Wt.
5000-V--10	Vertical Float	10' piggy back	1
5000-V--25	Vertical Float	25' piggy back	2



Tethered

Model No.	Switch	Cord Length	Wt.
5000-T--10	Tethered Float	10' piggy back	1
5000-T--25	Tethered Float	25' piggy back	2

