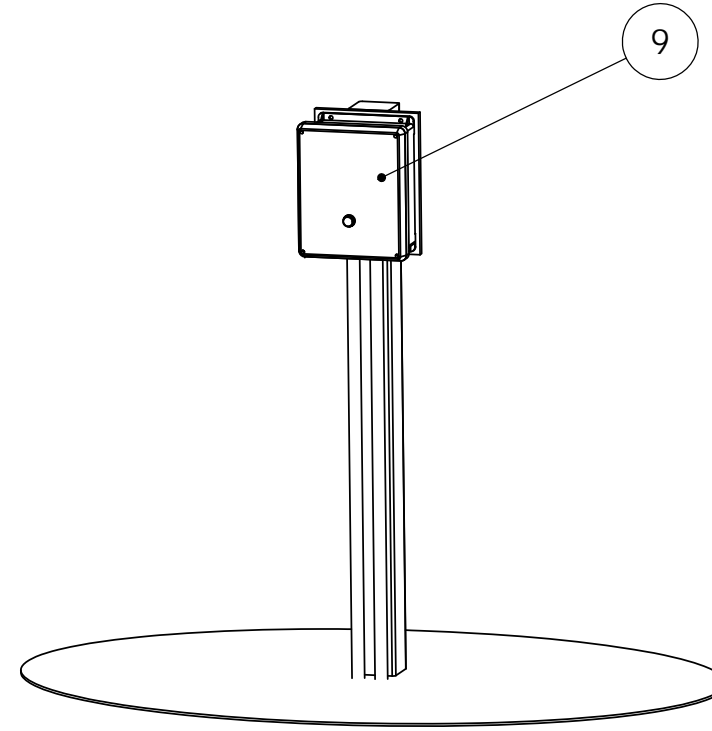


NO.	IN.	DESCRIPTION
1		30 IN X ____ IN KORFLO PVC PUMP BASIN
2		30 IN ORENCO DURAFIBER LID
3		4 IN INLET GASKET - NOT SHOWN - SHIPPED LOOSE
4		____ ELECTRICAL SPLICE BOX
5		2 IN AFS DISCHARGE ASSEMBLY
6		____ PUMP, __ HP, __ V/1
7		ORENCO ____ FLOAT SWITCH ASSEMBLY:
	30	HIGH LEVEL ALARM
	27	PUMP ON
	19	PUMP OFF
	16	REDUNDANT OFF/LOW LEVEL ALARM
8		AFS EXTERNAL FLEX ASSEMBLY - OPTIONAL
9		____ CONTROL PANEL - SHIPPED LOOSE



AFS PBA 20 30 ____ PUMP BASIN ASSEMBLY
 PROJECT NAME - QT 12345
 SUBMITTAL SHEET

DWG NO.	DATE	SCALE	DRAWN BY	CHECKED BY
XXX	5/2/16	1:16	RJK	N/A



625 BEST AVE
 COEUR D'ALENE, ID 83814
 PHONE 208.664.2133

4101 E BROADWAY
 SPOKANE, WA 99202
 IDAHO FALLS, ID 83402
 PHONE 509.534.5616

WWW.RCWORST.COM

Copyright © 2016 by R.C. Worst & Co., Inc.