



# BLUE RIBBON CORP.

2770 Long Road, Grand Island, NY 14072 USA  
Tel. (716) 773-9300 • Fax (716) 773-5019  
brsales@blueribboncorp.com • www.blueribboncorp.com

## JUNCTION BOX MODEL BCJ4000

### SPECIFICATIONS:

- Overall Size: 5" W x 3" H x 4" D
- IP66 Rated Enclosure
- Corrosive resistant VALOX® construction
- ASTM D 648 up to 280° F heat deflection temperature
- Corrosion resistant non-metallic screws
- 4 holes for surface mount options
- Maintenance free Hydrophobic filter
- 2 cord grips allow 0.23"-0.47" cables
- Finger safe, 3 pole terminal strip

### FEATURES:

#### **Saves on overall usage and installation cost:**

- Provides well top termination so less costly signal wire may be utilized.
- Provides water proof barometric vent, eliminating costly desiccant replacement.
- Reduces replacement transmitter cost by reducing overall cable length required.
- Reduces replacement labor cost through ease of removal and re-installation.
- Compact, corrosion resistant design allows installation in tight areas.
- Accepts the Blue Ribbon Lighting / Surge suppression module.

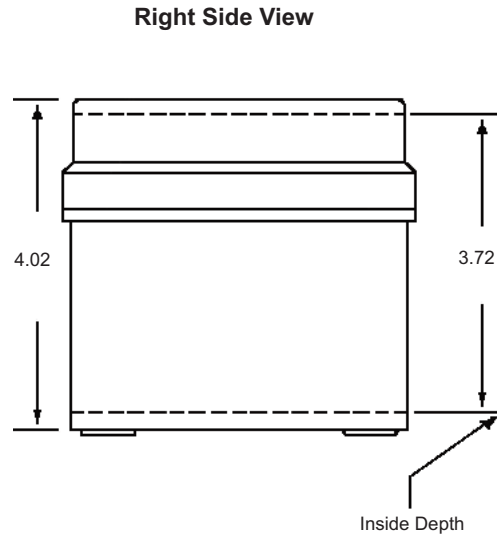
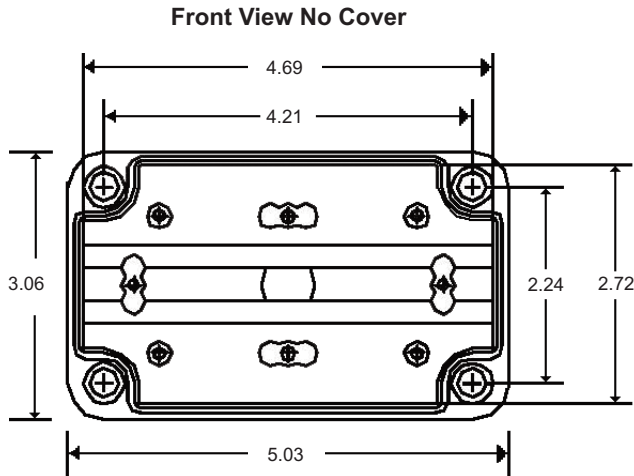




# BLUE RIBBON CORP.

2770 Long Road, Grand Island, NY 14072 USA  
 Tel. (716) 773-9300 • Fax (716) 773-5019  
 brsales@blueribboncorp.com • www.blueribboncorp.com

## JUNCTION BOX MODEL BCJ4000



DIMENSION: INCH (MM)	
Inside Height (MM)	4.69 (119.02)
Inside Width (MM)	2.61 (66.4)
Inside Depth (MM)	3.72 (69.06)
Outside Height (MM)	5.03 (127.83)
Outside Width (MM)	3.06 (77.83)
Outside Depth (MM)	4.02 (76.67)

**BCJ4000 with cover removed**



**Optional Junction box with surge  
 BCJP4000 with top removed**



Blue Ribbon reserves the right to make product improvements and amendments to the product specifications stated throughout this brochure without prior notification. Please contact the factory on all critical dimensions and specifications for verification.