

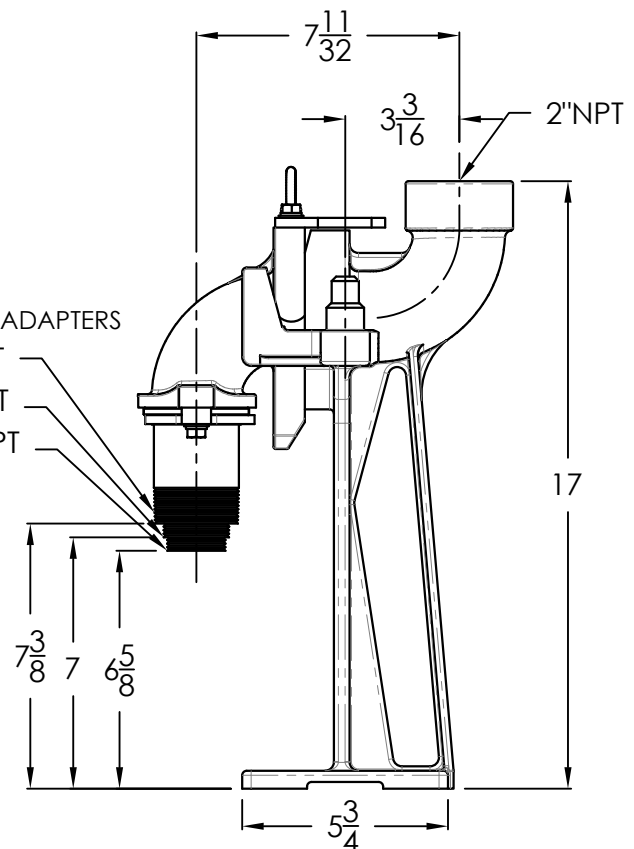
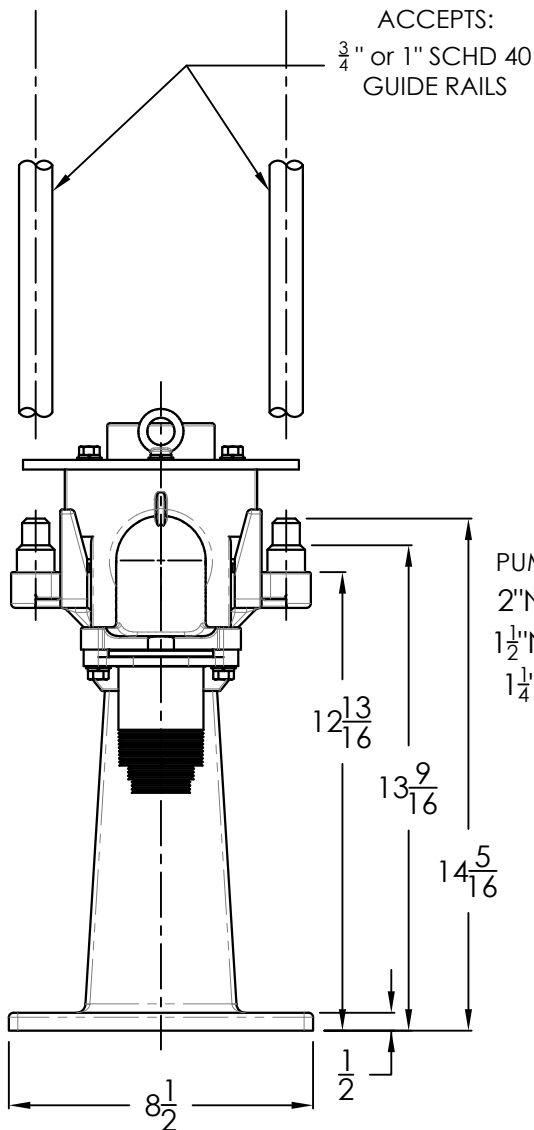
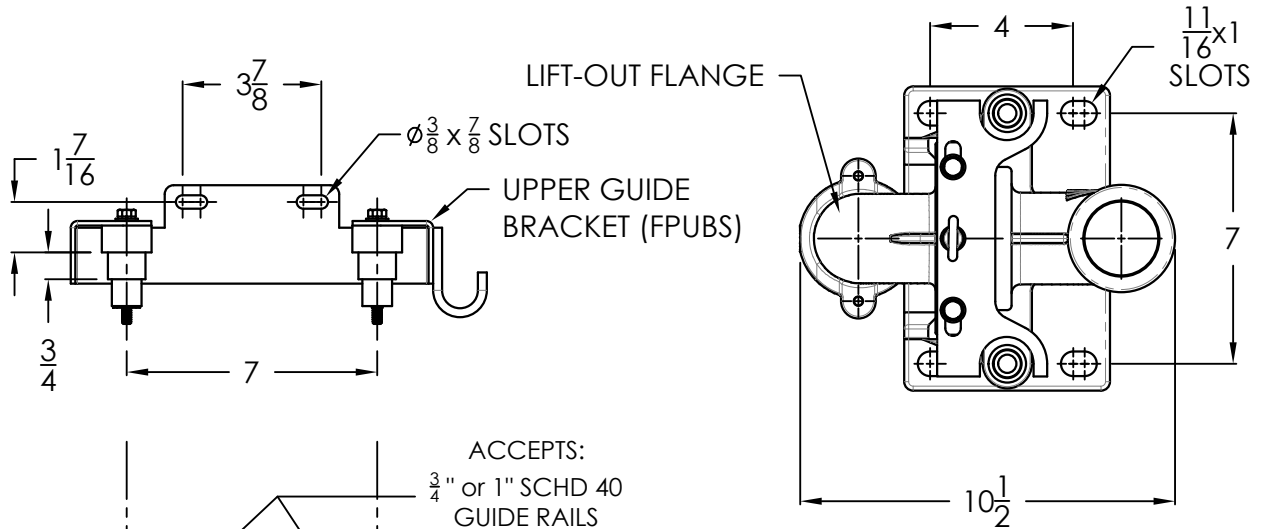
1 1/4", 1 1/2" & 2" STANDARD



MODELS: FPBEA125, FPBEA150, FPBEA200

www.FloProProducts.com

BASE ELBOW ASSEMBLY



MAX PUMP WEIGHT: 200 LBS
SHIPPING WEIGHT: 38 LBS

MATERIAL COMPOSITION

BASE ELBOW: 65-45-12 CAST DUCTILE IRON
LIFT-OUT FLANGE: 65-45-12 CAST DUCTILE IRON
PUMP ADAPTER: CAST 304 STAINLESS STEEL
LOWER GUIDE PLATE: 304 STAINLESS STEEL
ALL HARDWARE IS 304 STAINLESS STEEL