

Flo

Pro



One Stop Shop for Base Elbow Rail Systems & Accessories

Office: 567-455-3114
Fax: 567-331-3608

PO Box 814
Ashland, Ohio 44805
Email: Sales@FloProProducts.com

Product Catalog

Why Flo Pro Products?

With over 100 combined years of hard work and experience in the wastewater industry, the management team at Flo Pro Products truly understands how to successfully transport wastewater. Flo Pro offers a diverse line of products engineered for the wastewater industry as well as many other applications. The team working behind Flo Pro gladly offers more than just a product. We take great pride in providing a complete service to each and every customer.

"One Stop Shop"

Flo Pro strives to be your "One Stop Shop" for all lift station essentials. From elbows to accessories, we have everything necessary to put together a packaged system (Excluding the discharge piping.) With that in mind, if you don't see it just ask!

Samples

Samples are gladly sent upon request. All items will be invoiced with freight allowed. If kept, the invoice can be paid under current terms. If the items are not kept, an RMA should be requested and the customer is responsible for return shipping costs.

Custom In-House Fabrication

Flo Pro is also your "One Stop Shop" for any custom fabrication needs. With a large in-house inventory of material, on-site-fabrication and welding, Flo Pro can successfully meet any specifications. We offer short lead times and the most competitive pricing in the industry.

Product Compatibility

Flo Pro's line of base elbow rail systems provide the luxury of an interchangeable rail system compatible with most pumps in today's market. We are also able to adapt to most existing rail systems currently in the field.

Global Sourcing

When customers reach out to us with a difficult project, we don't ever shy away. If a product is no longer made or better pricing is wanted, we are able to help these customers by using our experienced engineering staff. We have the option to source an item for the lowest cost, or even develop tooling to manufacture it ourselves, both generating positive outcomes.

Inventory

At Flo Pro, items are kept in stock with same day shipping available. Orders will ship within 24 hours from receipt of purchase order, unless otherwise specified.

Table of Contents

1 1/4", 1 1/2", & 2" Base Elbows	Page 1
3" Vertical Base Elbows	Page 3
3" Horizontal Base Elbows	Page 5
4" & 6" Base Elbows	Page 7
Accessories	Page 9
Basin Accessories	Page 11

Base Elbow Guide Rail Systems 1 1/4", 1 1/2", & 2"

FEATURES

- Standard or Integral Check Valve Design
- Constructed from Ductile Iron
- Powder Coated for Corrosion Resistance
- Stainless Hardware and Pump Adapter Included
- Lift-Out and Pump Adapter Have BUNA-N O-Ring Seal



Standard



Check Valve

MODEL SPECIFICATION

Part Number	Pump Connection	Discharge Connection	Acceptable Guide Rail Size	Max Pump Weight	Shipping Weight
FPBEA125	1 1/4" NPT	2" NPT	3/4" or 1"	200 lbs.	43 lbs.
FPBEA150	1 1/2" NPT	2" NPT	3/4" or 1"	200 lbs.	43 lbs.
FPBEA200	2" NPT	2" NPT	3/4" or 1"	200 lbs.	43 lbs.
FPBEA125CV	1 1/4" NPT	2" NPT	3/4" or 1"	200 lbs.	46 lbs.
FPBEA150CV	1 1/2" NPT	2" NPT	3/4" or 1"	200 lbs.	46 lbs.
FPBEA200CV	2" NPT	2" NPT	3/4" or 1"	200 lbs.	46 lbs.

Create Kits

Add **(K)** to the end of any part number to include upper guide bracket, add **(K10)** to part number to include upper guide bracket and 10' chain kit, add **(K20)** to part number to include upper guide bracket and 20' chain kit

EXAMPLE: FPBEA125**K10**, FPBEA200CV**K20**

Non-Sparking Base Elbow Assemblies

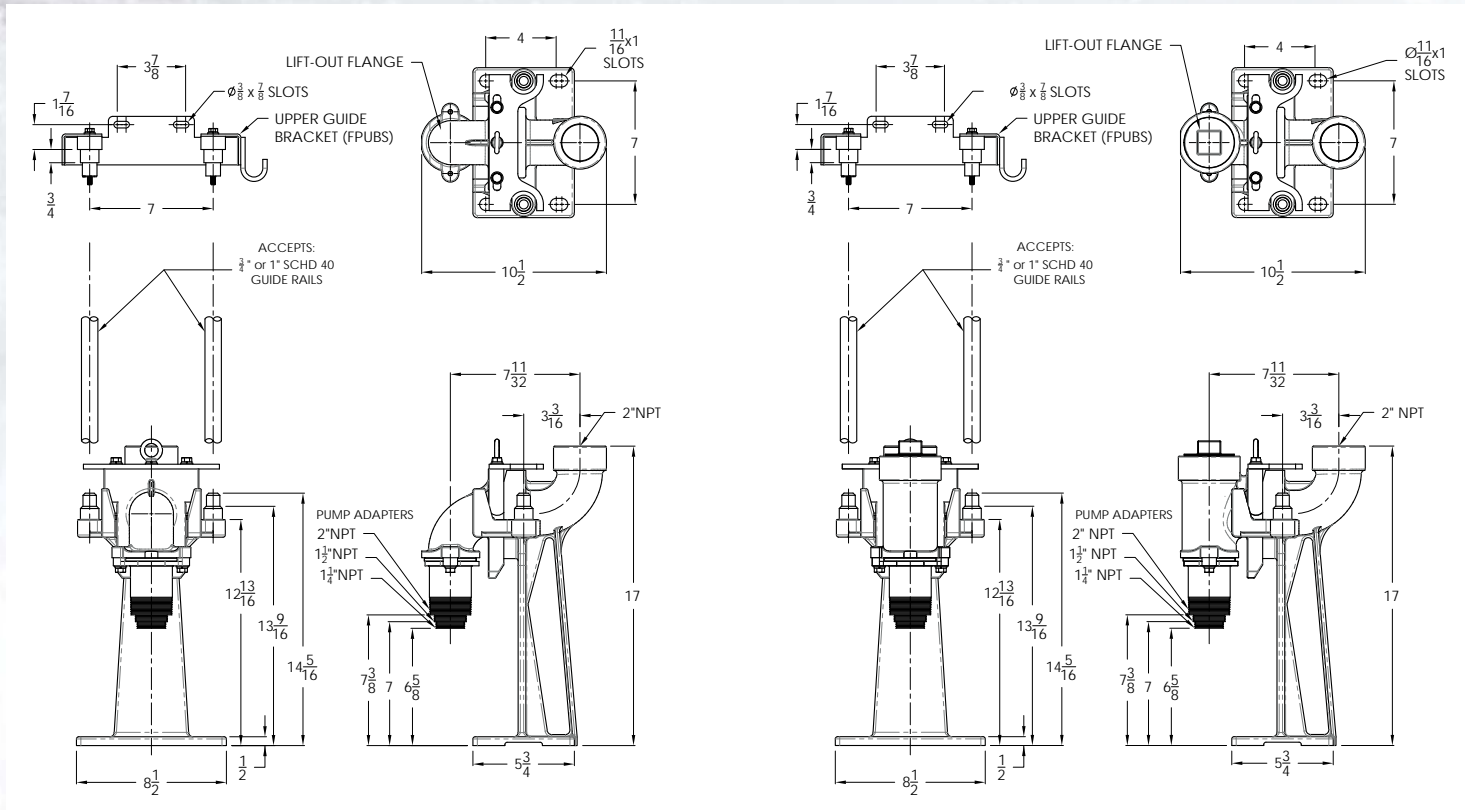
Add **(X)** to the end of any part number to create a non-sparking assembly

EXAMPLE: FPBEA125**X**, FPBEA200CV**X**

ENGINEERING DATA

Standard

Check Valve



Compatible with ANY 1¼", 1½", or 2" NPT Vertical Discharge Pump

MATERIAL COMPOSITION

Base Elbow	65-45-12 Cast Ductile Iron
Lift-Out Flange	65-45-12 Cast Ductile Iron
Pump Adapter	Cast 304 Stainless Steel
Lower Guide Plate	304 Stainless Steel
Fasteners	304 Stainless Steel
Check Valve Ball	Solid Rubber Nitrile

Base Elbow Guide Rail Systems 3" Vertical

FEATURES

- Flange Accepts 2" or 3" NPT Pump Connections
- Constructed from Ductile Iron
- Powder Coated for Corrosion Resistance
- Stainless Hardware and Pump Adapter Included
- Lift-Out and Pump Adapter Have BUNA-N O-Ring Seal



NPT Discharge



ANSI Flange Discharge

MODEL SPECIFICATION

Part Number	Pump Connection	Discharge Connection	Acceptable Guide Rail Size	Max Pump Weight	Shipping Weight
FPBEA300V	3" NPT	3" NPT	3/4", 1" or 1 1/4"	400 lbs.	81 lbs.
FPBEA300VF	3" NPT	3" ANSI	3/4", 1" or 1 1/4"	400 lbs.	94 lbs.
FPBEA320V	2" NPT	3" NPT	3/4", 1" or 1 1/4"	400 lbs.	81 lbs.
FPBEA320VF	2" NPT	3" ANSI	3/4", 1" or 1 1/4"	400 lbs.	94 lbs.

Create Kits

Add **(K)** to the end of any part number to include upper guide bracket, add **(K10)** to part number to include upper guide bracket and 10' chain kit, add **(K20)** to part number to include upper guide bracket and 20' chain kit

EXAMPLE: FPBEA300V**K20**

Non-Sparking Base Elbow Assemblies

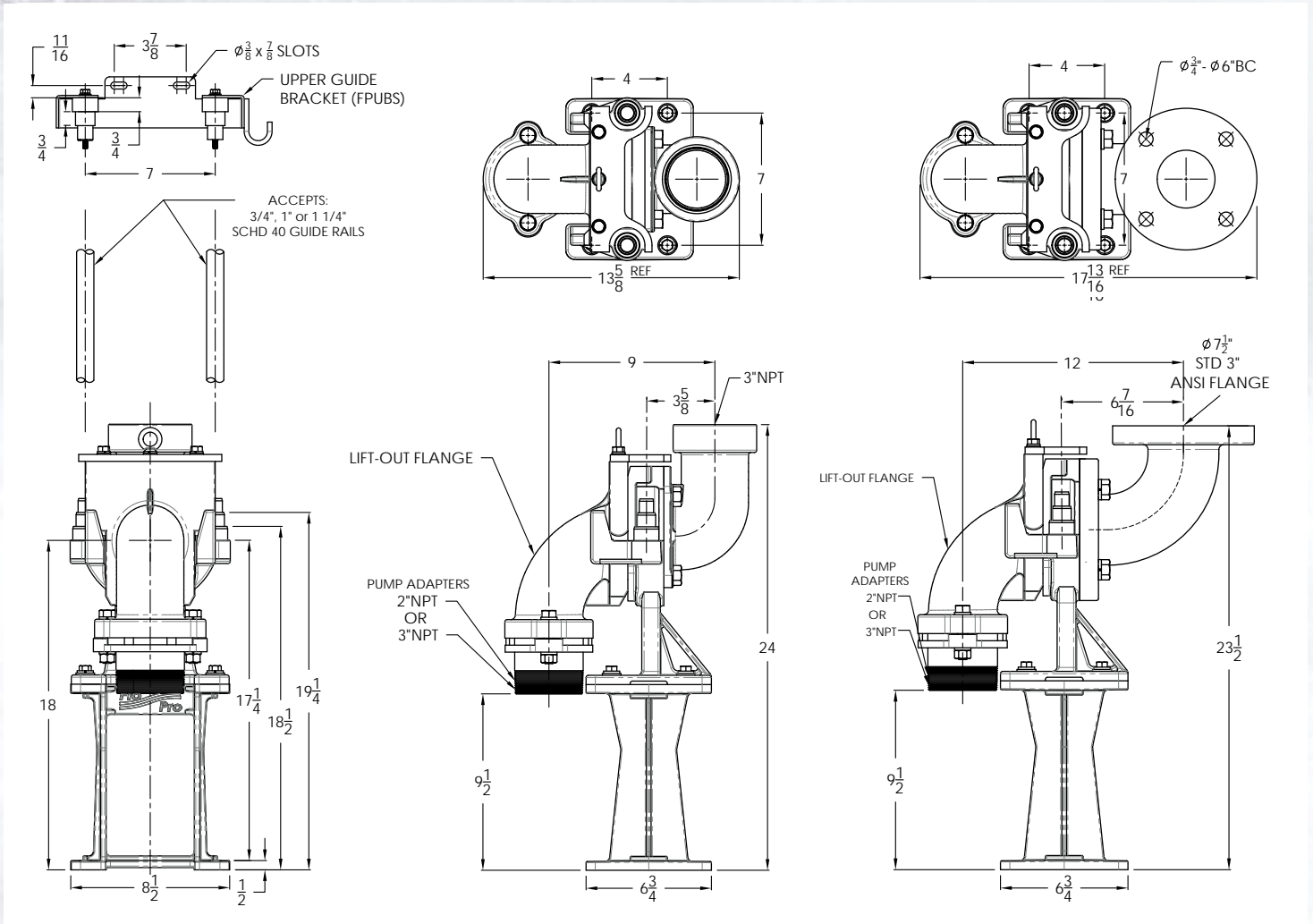
Add **(X)** to the end of any part number to create a non-sparking assembly

EXAMPLE: FPBEA300V**X**, FPBEA320V**X**

ENGINEERING DATA

NPT Discharge

ANSI Discharge



Compatible with ANY 2" or 3" NPT Vertical Discharge Pump

MATERIAL COMPOSITION

Base Elbow	65-45-12 Cast Ductile Iron
Lift-Out Flange	65-45-12 Cast Ductile Iron
Pump Adapter	Cast 304 Stainless Steel
Lower Guide Plate	304 Stainless Steel
Fasteners	304 Stainless Steel

Base Elbow Guide Rail Systems 3" Horizontal

FEATURES

- Slotted Flange Accepts 2 1/2" or 3" ANSI Pump Connections
- Constructed from Ductile Iron
- Powder Coated for Corrosion Resistance
- Stainless Hardware Included
- Lift-Out and Discharge Have BUNA-N O-Ring Seal



NPT Discharge



ANSI Flange Discharge

MODEL SPECIFICATION

Part #	Pump Connection	Discharge Connection	Acceptable Guide Rail Size	Max Pump Weight	Shipping Weight
FPBEA300H	2 1/2" or 3" ANSI	3" NPT	3/4" or 1" or 1 1/4"	400 lbs.	66 lbs.
FPBEA300HF	2 1/2" or 3" ANSI	3" ANSI	3/4" or 1" or 1 1/4"	400 lbs.	76 lbs.
FPBEA300HFLR	2 1/2" or 3" ANSI	3" ANSI	3/4" or 1" or 1 1/4"	400 lbs.	81 lbs.
FPBEA340HF	2 1/2" or 3" ANSI	4" ANSI	3/4" or 1" or 1 1/4"	400 lbs.	80 lbs.

Create Kits

Add **(K)** to the end of any part number to include upper guide bracket, add **(K10)** to part number to include upper guide bracket and 10' chain kit, Add **(K20)** to part number to include upper guide bracket and 20' chain kit

EXAMPLE: FPBEA300HK20

Non-Sparking Base Elbow Assemblies

Add **(X)** to the end of any part number to create a non-sparking assembly

EXAMPLE: FPBEA300HX, FPBEA340HFX

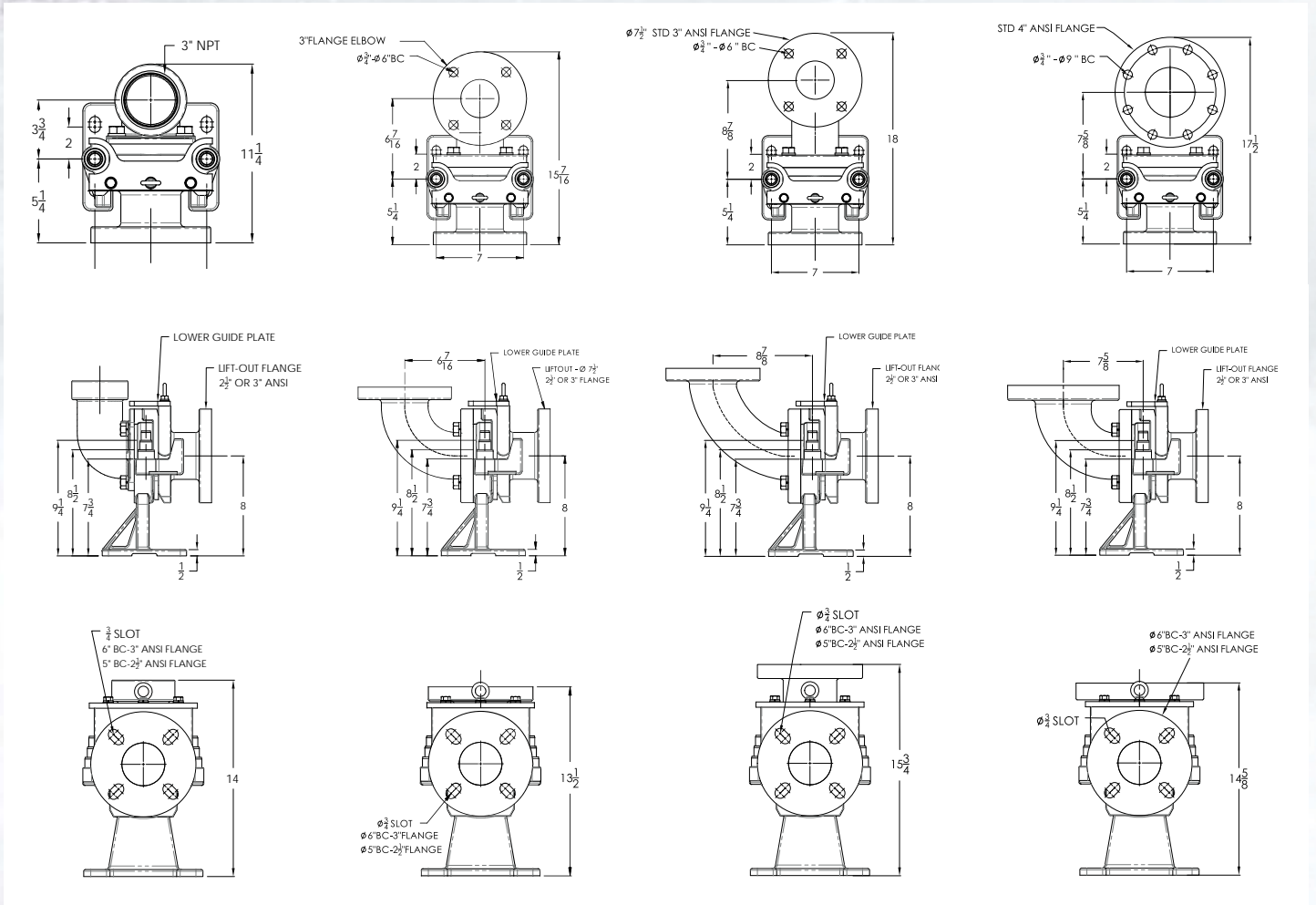
ENGINEERING DATA

FPBEA300H

FPBEA300HF

FPBEA300HFLR

FPBEA340HF



Compatible with ANY 2½" or 3" ANSI Horizontal Discharge Pump

MATERIAL COMPOSITION

Base Elbow	65-45-12 Cast Ductile Iron
Lift-Out Flange	65-45-12 Cast Ductile Iron
Lower Guide Plate	304 Stainless Steel
Fasteners	304 Stainless Steel

Base Elbow Guide Rail Systems 4" and 6"

FEATURES

- Constructed From Ductile Iron
- Powder Coated for Corrosion Resistance
- Stainless Hardware Included
- Metal-To-Metal Seal with Stainless Steel Sealing Ring
- Flygt Compatible



Lift-Out Flange can be Modified to Adapt Non-Standard Pump Connections.
Please Call for Pricing and Information.

MODEL SPECIFICATION

Part Number	Pump Connection	Discharge Connection	Acceptable Guide Rail Size	Max Pump Weight	Shipping Weight
FPBEA400	3" or 4" ANSI	4" ANSI	1½" or 2"	2000 lbs.	156 lbs.
FPBEA600	6" ANSI	6" ANSI	2"	2000 lbs.	191 lbs.
FPBEA640	4" or 6" ANSI	6" ANSI	2"	2000 lbs.	191 lbs.

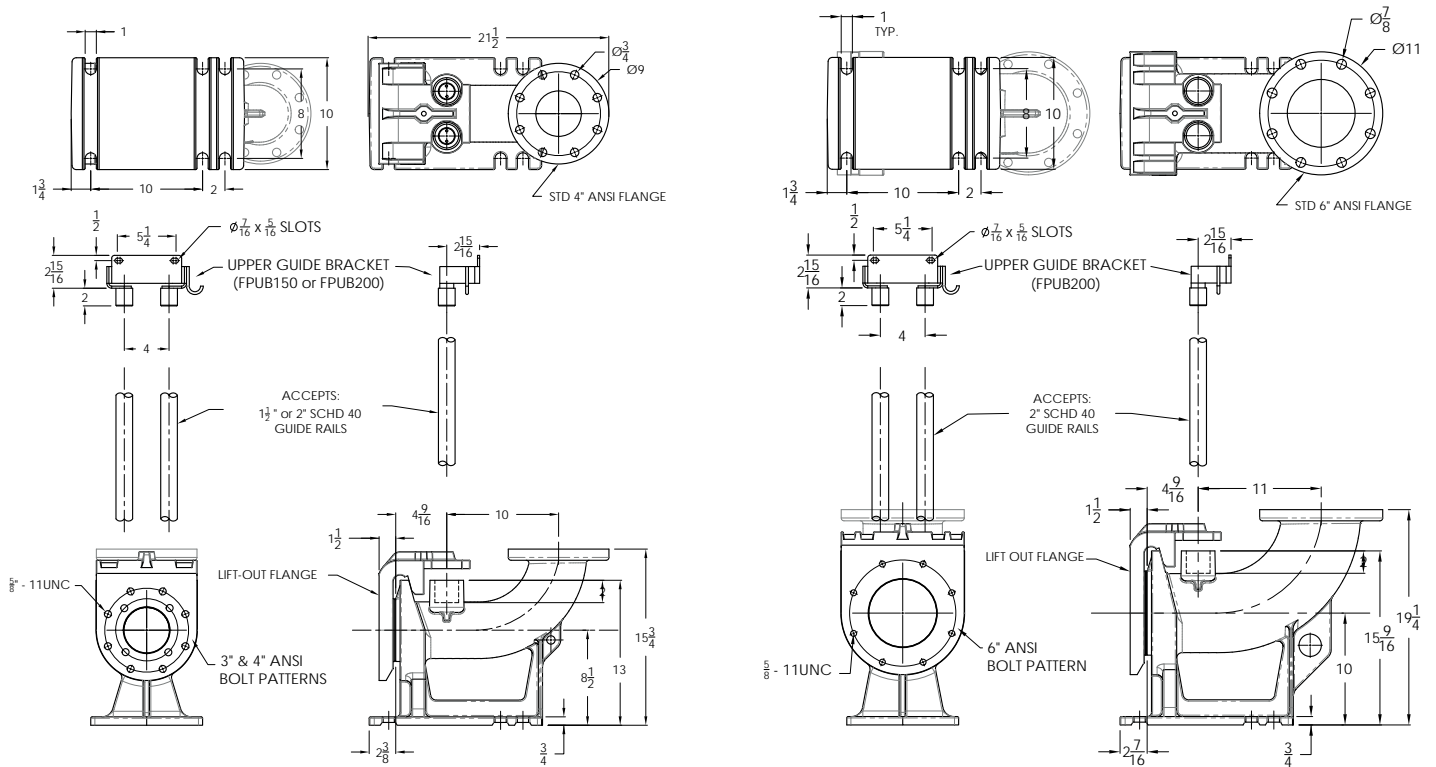
Comes standard with stainless steel sealing ring for metal-to-metal seal
Sealing ring can be removed for a full rubber gasket to create gasket seal (Sold Separately **FPFG400** or **FPFG600**)

Non-Sparking Base Elbow Assemblies
Add **(X)** to the end of any part number to create a non-sparking assembly
EXAMPLE: FPBEA400X, FPBEA600X

ENGINEERING DATA

FPBEA400

FPBEA600



Compatible with ANY 3", 4", or 6" ANSI Vertical Discharge Pump

MATERIAL COMPOSITION

Base Elbow	65-45-12 Cast Ductile Iron
Lift-Out Flange	65-45-12 Cast Ductile Iron
Lower Guide Plate	304 Stainless Steel
Hardware	304 Stainless Steel

ACCESSORIES



Type-316 Stainless Steel and Custom Bracket Designs Available.
Please Call for Pricing and Information

UPPER GUIDE BRACKETS

Made From 304 Stainless Steel



Part #	Guide Rail Size	Guide Pipe Spacing
FPUBS	3/4", 1" or 1 1/4"	7"
FPUGB075-FLYGT	3/4"	1 7/16"
FPTRS-100	1"	7"
FPUB150	1 1/2"	4"
FPTRS-150	1 1/2"	6 1/2"
FPUB200	2"	4"
FPTRS-200	2"	9 1/2"
FPUB300	3"	5"

INTERMEDIATE GUIDE BRACKETS

Made From 304 Stainless Steel



Part #	Guide Rail Size	Guide Rail Spacing	U-Bolt Size Included
FPIGB075-FLYGT	3/4"	1 7/16"	N/A
FPIB075	3/4"	7"	N/A
FPIB100	1"	7"	N/A
FPIB200	1 1/4"	7"	N/A
FPIB150-4	1 1/2"	4"	4"
FPIB200-4	2"	4"	4"
FPIB200-6	2"	4"	6"
FPIB200-8	2"	4"	8"

REPLACEMENT LIFT-OUT FLANGE

Ductile Iron with Powder Coat Finish and Stainless Steel Accessories



Part #	Description	Compatible Pump Sizes
FPPF125	1 1/4" Lift-Out Flange; Standard	1 1/4" NPT
FPPF125CV	1 1/4" Lift-Out Flange; Check Valve	1 1/4" NPT
FPPF150	1 1/2" Lift-Out Flange; Standard	1 1/2" NPT
FPPF150CV	1 1/2" Lift-Out Flange; Check Valve	1 1/2" NPT
FPPF200	2" Lift-Out Flange; Standard	2" NPT
FPPF200CV	2" Lift-Out Flange; Check Valve	2" NPT
FPPF300V	3" Lift-Out Flange	3" NPT
FPPF320V	2"x 3" Lift-Out Flange	2" NPT
FPPF300H	3" Lift-Out Flange	2 1/2" or 3" ANSI
FPPF400	4" Lift-Out Flange - Flygt Compatible	3" or 4" ANSI
FPPF600	6" Lift-Out Flange - Flygt Compatible	4" or 6" ANSI

Add X to the End of Any Part Number for Non-Sparking Variation



REPLACEMENT PARTS 1 1/4" - 3"



Part #	Description
FPPA125	1 1/4" Stainless Steel Pump Adapter
FPPA150	1 1/2" Stainless Steel Pump Adapter
FPPA200	2" Stainless Steel Pump Adapter
FPPA300	3" Stainless Steel Pump Adapter
FPPA320	2" x 3" Stainless Steel Pump Adapter
FPGP	Guide Plate for 1 1/4" - 2" Lift-Out Flange
FPGP3	Guide Plate for 3" Lift-Out Flange
FPPFO200	1 1/4" - 2" O-Ring for Pump Adapter
FPPFLP	1 1/4" - 2" O-Ring for Lifting Plate
FPOR3	3" O-Ring

EZ REPLACEMENT PARTS

Compatible With Any EZ Style Base Elbow



Part #	Description
FPEZRPF125	Standard Flange with 1 1/4" Pump Adapter
FPEZRPF150	Standard Flange with 1 1/2" Pump Adapter
FPEZRPF200	Standard Flange with 2" Pump Adapter
FPEZRPF125CV	Check Valve Flange with 1 1/4" Pump Adapter
FPEZRPF150CV	Check Valve Flange with 1 1/2" Pump Adapter
FPEZRPF200CV	Check Valve Flange with 2" Pump Adapter
FPPAEZ125	1 1/4" Pump Adapter
FPPAEZ150	1 1/2" Pump Adapter
FPPAEZ200	2" Pump Adapter
FPGPEZ	Lower Guide Plate - 304 Stainless Steel

EZ Parts Compatible with Old Style SRA, BAF and Freeflow Base Elbows as Well as Current KL and Zoeller EZ-Out Base Elbows

ADAPTERS

Part #	Description
FPPA125-SRA	1 1/4" SRA Flange Pump Adapter
FPSPAC-SGV	1 1/4" Thread Extension for SGV Grinder Pumps
FPHPGK	Spacer for HPG Grinder Pumps

CHAIN GRABBER

Works with Chain sizes 1/8"-3/8"

Made From 1/2" Thick Type-304 Stainless Steel



Part #	Description
FPGRAB	Chain Grabber

NEW

RWG RERO FIT

Retrofit for Existing 1 1/4" RWG Stations

Part #	Description
FPRWGK	1 1/4" RWG Retro Fit Kit
FPRWGGUIDE	Main Triangle Guide Plate
FPRWGSEAL	Bottom Guide Seal

Kit Includes: Top Guide Plate, Bottom Guide Seal, Ball Check Valve, Stainless Steel Plumbing, 1/2" Shackles & Roll of Pipe Thread Tape

NEW

CHAIN

Sold by the Foot or Barrel Quantities
All Chain is Type-316 Stainless Steel



Part #	Description
FPSS18	1/8" Chain; 375lb. SWL
FPSS316	3/16" Chain; 800lb. SWL
FPSS14	1/4" Chain; 1,400lb. SWL
FPSS516	5/16" Chain; 1,800lb. SWL
FPSS38	3/8" Chain; 2,800lb. SWL
FPSS12	1/2" Chain; 4,500lb. SWL

SHACKLES

All Shackles are Type-316 Stainless Steel



Part #	Description
FPSS18SHACK	3/16" Shackle for 1/8" Chain; 660lb. SWL
FPSS316SHACK	1/4" Shackle for 3/16" Chain; 667lb. SWL
FPSS14SHACK	5/16" Shackle for 1/4" Chain; 1000lb. SWL
FPSS516SHACK	3/8" Shackle for 5/16" Chain; 1500lb. SWL
FPSS38SHACK	1/2" Shackle for 3/8" Chain; 3000lb. SWL
FPSS12SHACK	5/8" Shackle for 1/2" Chain; 4000lb. SWL

CHAIN & SHACKLE KIT

Custom Kits can be Made to Any Length and
Number of Shackles



Part #	Description
FPSS316K	10' of 3/16" Chain and (2) 1/4" Shackles
FPSS14K	10' of 1/4" Chain and (2) 5/16" Shackles
FPSS516K	10' of 5/16" Chain and (2) 3/8" Shackles
FPSS38K	10' of 3/8" Chain and (2) 1/2" Shackles
FPSS12K	10' of 1/2" Chain and (2) 5/8" Shackles

QUICK LINKS

All Quick Links are Type-316 Stainless Steel



Part #	Description
FPQL14	1/4" Quick Link; 800lb SWL
FPQL516	5/16" Quick Link, 1,700lb SWL
FPQL38	3/8" Quick Link, 2,200lb SWL
FPQL12	1/2" Quick Link, 3,300lb SWL

EYE BOLTS

All Eye Bolts are Made From Type-304 Stainless Steel



Part #	Description
FPEB516	5/16" SS Eye Bolt, 780lb SWL
FPEB38	3/8" SS Eye Bolt, 1,320lb SWL
FPEB12	1/2" SS Eye Bolt, 2,100lb SWL

CHAIN ANCHOR & KITS

Custom Kits can be Made to any Length and
Number of Shackles\Float Clamps



Part #	Description
FPMA10	10lb Mushroom Anchor
FPMA15	15lb Mushroom Anchor
FPAKCH10-3	10' of Chain, 2 Shackles, 3 SS Float Clamps, 1- 10lb Anchor
FPAKCH10-4	10' of Chain, 2 Shackles, 4 SS Float Clamps, 1- 10lb Anchor

PIPE GROMMETS

Sold in Pairs



Part #	Compatible Guide Rail Sizes
FPUBSRK	3-Tier; 3/4", 1", & 1 1/4"; Includes SS Hardware
FPUGBT	3-Tier; 3/4", 1", & 1 1/4"
FPPG10	1"
FPPG15	1 1/2"
FPPG20	2"

INLET HUBS

Includes Stainless Steel Mounting Hardware and Gasket Tape

Part #	Description
FPIH400	4" Cast Iron Inlet Hub
FPIH600	6" Cast Iron Inlet Hub

FULL GASKETS AND SEALING RINGS



Part #	Description
FPPG400	4" Full Rubber Gasket
FPPG600	6" Full Rubber Gasket
FPSR400	4" Stainless Steel Sealing Ring
FPSR600	6" Stainless Steel Sealing Ring

PULL-OUT KITS

Complete with Type-304 Stainless Steel Hardware
and Red Rubber Gasket



Part #	Description
FPPK300	3" Hardware & Gasket Kit
FPPK400	4" Hardware & Gasket Kit
FPPK600	6" Hardware & Gasket Kit
FPPK800	8" Hardware & Gasket Kit

FULL COUPLINGS

Includes Stainless Steel Mounting Hardware and Gasket Tape



Part #	Description
FPSFC125	1 1/4" Stainless Steel Full Coupling
FPSFC200	2" Stainless Steel Full Coupling
FPPFC125	1 1/4" Plastic Full Coupling
FPPFC200	2" Plastic Full Coupling

BALL CHECK VALVES

Cast Iron Construction with Solid Rubber Nitrile Ball



Part #	Description
FPBVA125	1 1/4" Cast Iron Ball Check Valve
FPBVA200	2" Cast Iron Ball Check Valve
FPBVAW125	1 1/4" Cast Iron Ball Check Valve with Side Mounting Tabs
FPBVAW200	2" Cast Iron Ball Check Valve with Side Mounting Tabs

TANK VENTS

Weatherproof, Bug Proof and Powder Coated for Corrosion Resistance



Part #	Description
FPTV2	2" Tank Vent
FPTV3	3" Tank Vent
FPTV4	4" Tank Vent
FPTV2SS	2" Stainless Steel Tank Vent

NEW

Add **(K)** to the End of Any Part Number to Create Kits
Kit Includes: Tank Vent, Close Nipple and Mounting Flange

FIBERGLASS FLANGES

Plastic Reinforced Fiberglass, UV Resistant



Part #	Description
FPFF2	2" Fiberglass Flange
FPFF3	3" Fiberglass Flange
FPFF4	4" Fiberglass Flange

CLOSE NIPPLE

Schedule 80 PVC



Part #	Description
FPCN2	2" Close Nipple
FPCN3	3" Close Nipple
FPCN4	4" Close Nipple

Type-316 Stainless Steel and Custom Bracket Designs Available.
Please Call for Pricing and Information

L-TYPE FLOAT BRACKETS

Made from 304 Stainless Steel, Includes Cord Snubbers



Part #	Description
FPLB3	3-Hole L-Type Bracket
FPLB4	4-Hole L-Type Bracket

U-TYPE FLOAT BRACKETS

Made from 304 Stainless Steel



Part #	Description
FPHUB3	3-Hook U-Type Bracket
FPHUB4	4-Hook U-Type Bracket
FPHUB6	6-Hook U-Type Bracket

T-TYPE FLOAT BRACKETS

Made from 304 Stainless Steel, Includes Cord Snubbers



Part #	Description
FPTB4	4-Hole T-Type
FPTBH4	4-Hole T-Type w/Hooks
FPTB6	6-Hole T-Type
FPTBH6	6-Hole T-Type w/Hooks

FLOAT BRACKET HOLDER

Mountable Float Bracket Holder for Quick and Easy Removal/Installation



Part #	Description
FPFBH	Float Bracket Holder

GATE VALVES & EXTENSION RODS

Brass Forged Body, Individually Tested



Part #	Description
FPGV125	1 1/4" Brass Gate Valve
FPGV200	2" Brass Gate Valve
FPGV300	3" Brass Gate Valve
FPER200	24" Gate Valve Extension Rod
FPER300	36" Gate Valve Extension Rod

Extension Rods Made Custom to Any Length and Valve Stem
Please Call for Pricing and Information

E-ONE RETRO FIT PARTS



Part #	Description
FPEOJT	Universal 1 1/4" J-Tube with O-Ring
FPEOPMP	Universal Mounting Plate for Internal Components
FPEORK	E-One Retro Fit Kit

Kit Includes: J-Tubes, Mounting Plate, 1 1/4" Check Valve and 4x4 Junction Box

BASE ELBOW EXTENSION STAND

10" Extension Stand to Raise Base Elbow for 1 1/4" - 3" Applications



Part #	Description
FPBES	Base Elbow Extension Stand

TWO PIECE FLOAT WEIGHT

1.5 lbs Cast Iron Weight With Zinc Coat Finish

Part #	Description
FPFWZ	Universal Float Weight

PIPE CLAMPS

Stainless Steel Clamp to Pipe Mount Cables



Part #	Description
FPFC2	2" Pipe Clamp
FPFC3	3" Pipe Clamp

PLASTIC CORD SNUBBERS

Comes Standard With all Holed Float Brackets Also Available for Purchase Separately

Part #	Description
FPSNUB	Plastic Cord Snubber for Float Brackets

CORD GRIPS

All Nylon Construction



Part #	Description
FPCG12	1/2" Cord Grip (.17"-.47")
FPCG34	3/4" Cord Grip (.45"-.71")
FPCG1	1" Cord Grip (.71"-1.00")

JUNCTION BOX

Built to Order, can Customize to any Specification



Part #	Description
FPJB44	4x4x4" Simplex Junction Box
FPJB66	6x6x4" Duplex Junction Box
FPJB88	8x8x4" Duplex Junction Box

CONDUIT HUBS

SCH 40 PVC Slip Hub

Part #	Description
FPCH150	1.50" Conduit Hub
FPCH200	2.00" Conduit Hub

ENCLOSURES

Protection From Dust, Rain, Sleet, Snow, Splashing Water, Waves, Hose Directed Water with Superior Impact and Flame Protection.



Part #	Description	
FPAH664	6"x6"x4"	Enclosure with Opaque Cover
FPAH864	8"x6"x4"	
FPAH1086	10"x8"x4"	
FPAH12106	12"x10"x6"	
FPAH14126	14"x12"x6"	
FPAH16148	16"x14"x8"	
FPAH181610	18"x16"x10"	Clear Cover Enclosure with Opaque Cover
FPAHC664	6"x6"x4"	
FPAHC864	8"x6"x4"	
FPAHC1086	10"x8"x6"	
FPAHC12106	12"x10"x6"	
FPAHC14126	14"x12"x6"	
FPAHC16148	16"x14"x8"	
FPAHC181610	18"x16"x10"	

FLOAT SWITCHES AND ALARMS

At Flo Pro Products we offer the complete line of SJE Rhombus float switches and alarms. They are available in many different models and cord lengths, so please don't hesitate to ask. All items are covered under the SJE-Rhombus 5 year limited warranty. We made the ordering process very simple on float switches by allowing you to create the SJE part number with FP (Flo Pro) at the beginning.

SJE Rhombus



Flo ***Pro***

PO Box 814 • Ashland, Ohio 44805
Office: 567-455-3114 • Fax: 567-331-3608
Email: Sales@FloProProducts.com • www.FloProProducts.com