

# G2DT/G2D-SERIES

Sewage grinding, effluent and wastewater removal



| Technical Data           | Units | Model Specifications   |  |
|--------------------------|-------|--|--|
|                          |       | G2DT   | G2D  |
| Horsepower               | HP    | 2  | 2  |
| Max. head                | ft    | 56   | 82   |
| Max. flow rate           | GPM   | 73   | 75   |
| Voltage                  | V     | 200V / 1Ø, 9.2 FLA, 60Hz<br>230V / 1Ø, 8.2 FLA, 60Hz<br>200V / 3Ø, 6 FLA, 60Hz<br>230V / 3Ø, 5.1 FLA, 60Hz<br>460V / 3Ø, 2.6 FLA, 60Hz | 200V / 1Ø, 13.8 FLA, 60Hz<br>230V / 1Ø, 12 FLA, 60Hz<br>200V / 3Ø, 8.6 FLA, 60Hz<br>230V / 3Ø, 7.3 FLA, 60Hz<br>460V / 3Ø, 3.7 FLA, 60Hz |
| Cable                    |       | 25' SOOW 12/6 AWG 12   | 25' SOOW 12/6 AWG 12   |
| Bearing                  |       | Ball Bearing   | Ball Bearing   |
| O-rings                  |       | NBR 70   | NBR 70   |
| Shaft seal motor side    |       | Lip Seal   | Lip Seal   |
| Shaft seal medium side   |       | SiC Mech. Seal   | SiC Mech. Seal   |
| Volute type / material   |       | Cast Iron  | Cast Iron  |
| Discharge connection     |       | 1-1/4" NPT   | 1-1/4" NPT   |
| Inlet diameter           | in    | 8xØ .315   | 8xØ .315   |
| Impeller type / material |       | Radial Open (Cast Iron)  | Radial Open (Cast Iron)  |
| Impeller diameter        | in    | 4.488  | 1Ø 5.118 / 3Ø 5.315  |
| Free passage             | in    | 0.276  | 0.276  |
| Weight with cable        | lbs   | 62   | 3Ø 64 / 1Ø 84  |
| Material                 |       |  |  |
| Coating                  |       | 2K Epoxy, 80 µm (Black)  | 2K Epoxy, 80 µm (Black)  |
| Cutter                   |       | 1.4112, 57 HRC (SST)   | 1.4112, 57 HRC (SST)   |
| Cutter plate             |       | 1.4112, 57 HRC (SST)   | 1.4112, 57 HRC (SST)   |

**COMMERCIAL GRADE**  
GRINDER AND SOLIDS HANDLING PUMPS

## MULTICUT™ HIGH-TORQUE CUTTING SYSTEM – A CUT ABOVE THE REST

### Advanced High-Torque Cutting System

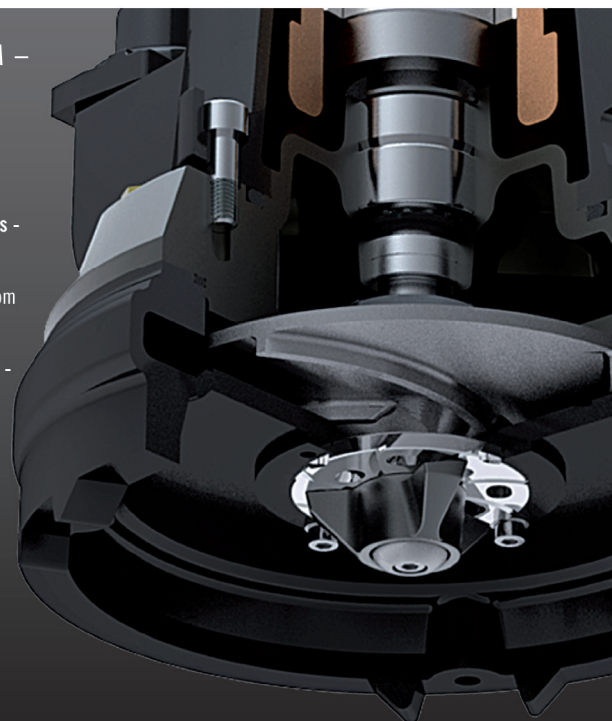
- › **Maximum Torque** - Better disintegration of solids & fibrous matter
- › **Adjustable Self-Cleaning Blades** - Longer blade life and lower maintenance costs
- › **Intelligent Trash Rejection™** - Prevents clogging and preserves blades and motor

### High-Efficiency Motor

- › **Continuous-Duty Rated** - Maintains performance specifications at 100% duty cycle
- › **Air Cooled** - Outperforms oil-filled motors for superior cooling and longer life
- › **Oil-Free** - Cleaner maintenance and no oil-disposal issues

### Superior Seals

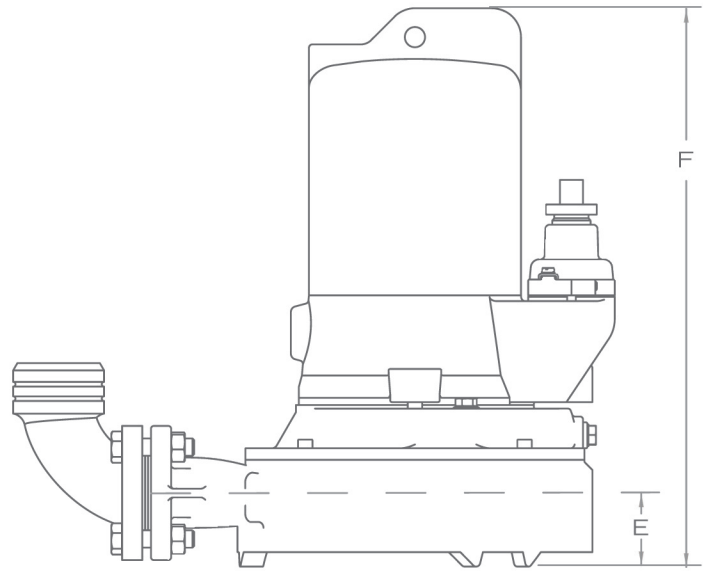
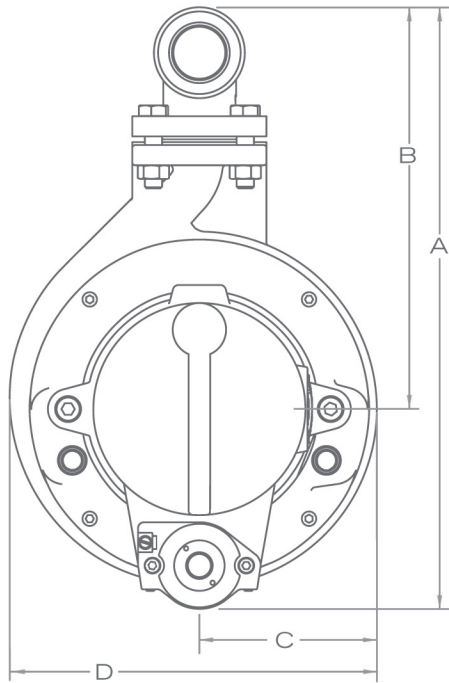
- › **Silicon Carbide Mechanical Seals** - Superior abrasion resistance
- › **Dry-Run Safe** - Conducts heat from the seal when pump is run dry
- › **Double Seal with Leak Detection** - Redundant seals with alert system if seals fail (optional)



**THE POWER**  
**OF INTELLIGENT DESIGN™**

# GRINDER SERIES

## Dimensions



| GRINDER MODEL  | A     |       | B     |      | C   |      | D     |       | E     |      | F     |       |
|----------------|-------|-------|-------|------|-----|------|-------|-------|-------|------|-------|-------|
|                | mm    | in    | mm    | in   | mm  | in   | mm    | in    | mm    | in   | mm    | in    |
| <b>G2DT-01</b> | 417   | 16.42 | 247   | 9.72 | 123 | 4.84 | 254.5 | 10.02 | 141   | 5.55 | 387   | 15.24 |
| <b>G2DT-21</b> | 417   | 16.42 | 247   | 9.72 | 123 | 4.84 | 254.5 | 10.02 | 141   | 5.55 | 387   | 15.24 |
| <b>G2DT-03</b> | 378.4 | 14.9  | 221.9 | 8.73 | 103 | 4.06 | 217.1 | 8.55  | 136.5 | 5.37 | 349.5 | 13.76 |
| <b>G2DT-23</b> | 378.4 | 14.9  | 221.9 | 8.73 | 103 | 4.06 | 217.1 | 8.55  | 136.5 | 5.37 | 349.5 | 13.76 |
| <b>G2DT-43</b> | 378.4 | 14.9  | 221.9 | 8.73 | 103 | 4.06 | 217.1 | 8.55  | 136.5 | 5.37 | 349.5 | 13.76 |
| <b>G2D-01</b>  | 417   | 16.42 | 247   | 9.72 | 123 | 4.84 | 254.5 | 10.02 | 141   | 5.55 | 387   | 15.24 |
| <b>G2D-21</b>  | 417   | 16.42 | 247   | 9.72 | 123 | 4.84 | 254.5 | 10.02 | 141   | 5.55 | 387   | 15.24 |
| <b>G2D-03</b>  | 378.4 | 14.9  | 221.9 | 8.73 | 103 | 4.06 | 217.1 | 8.55  | 136.5 | 5.37 | 349.5 | 13.76 |
| <b>G2D-23</b>  | 378.4 | 14.9  | 221.9 | 8.73 | 103 | 4.06 | 217.1 | 8.55  | 136.5 | 5.37 | 349.5 | 13.76 |
| <b>G2D-43</b>  | 378.4 | 14.9  | 221.9 | 8.73 | 103 | 4.06 | 217.1 | 8.55  | 136.5 | 5.37 | 349.5 | 13.76 |

## FAST, PROFESSIONAL, DETAILED SUPPORT

### Tell Us about Your Specific Jobsite Requirements

You can count on us to deliver the very best solutions.

### Fast Turnaround with Your Custom Quotation

Our technical sales department will prepare a detailed quotation with drawings for your specific submittal package within 24 hours!

### Quick Shipment Program

**Fully Stocked U.S. Inventory** - Our quick ship program can turn an order around in as little as 24 hours\* - includes U.S.-based factory-assembled components such as floats, brackets and guide rails, reducing jobsite labor - everything you need for a fast, turnkey solution.

\*Please allow additional time for orders requiring impeller trims or other requirements.

