

G3D-SERIES

Sewage grinding, effluent and wastewater removal



Technical Data	Units	Model Specifications
Horsepower	HP	3
Max. head	ft	112
Max. flow rate	GPM	66
Voltage	V	200V / 1Ø, 20.3 FLA, 60Hz 230V / 1Ø, 18.7 FLA, 60Hz 200V / 3Ø, 12.3 FLA, 60Hz 230V / 3Ø, 11 FLA, 60Hz 460V / 3Ø, 6.3 FLA, 60Hz
Cable		25' SOOW 3Ø 12/6 AWG 12 / 1Ø 10/6 AWG 10
Bearing		Ball Bearing
O-rings		NBR 70
Shaft seal motor side		Lip Seal
Shaft seal medium side		SiC Mech. Seal
Volute type / material		Cast Iron
Discharge connection		1-1/4" NPT
Inlet diameter	in	8xØ .315
Impeller type / material		Radial Open (Cast Iron)
Impeller diameter	in	5.787
Free passage	in	0.276
Weight with cable	lbs	1Ø 99 / 3Ø 95

Material

Coating	2K Epoxy, 80 µm (Black)
Cutter	1.4112, 57 HRC (SST)
Cutter plate	1.4112, 57 HRC (SST)

COMMERCIAL GRADE
GRINDER AND SOLIDS HANDLING PUMPS

MULTICUT™ HIGH-TORQUE CUTTING SYSTEM – A CUT ABOVE THE REST

Advanced High-Torque Cutting System

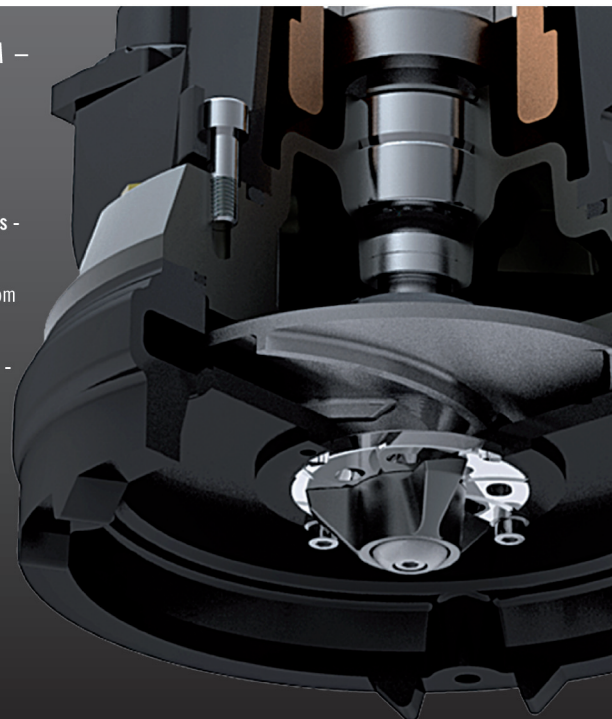
- › **Maximum Torque** - Better disintegration of solids & fibrous matter
- › **Adjustable Self-Cleaning Blades** - Longer blade life and lower maintenance costs
- › **Intelligent Trash Rejection™** - Prevents clogging and preserves blades and motor

High-Efficiency Motor

- › **Continuous-Duty Rated** - Maintains performance specifications at 100% duty cycle
- › **Air Cooled** - Outperforms oil-filled motors for superior cooling and longer life
- › **Oil-Free** - Cleaner maintenance and no oil-disposal issues

Superior Seals

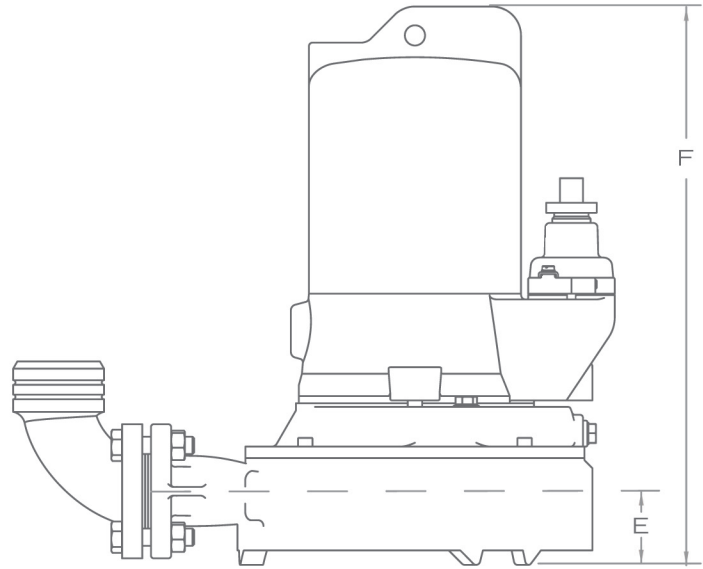
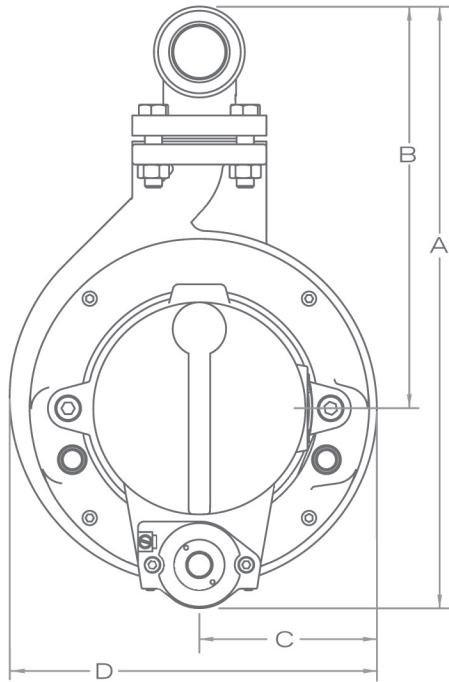
- › **Silicon Carbide Mechanical Seals** - Superior abrasion resistance
- › **Dry-Run Safe** - Conducts heat from the seal when pump is run dry
- › **Double Seal with Leak Detection** - Redundant seals with alert system if seals fail (optional)



**THE POWER
OF INTELLIGENT DESIGN™**

GRINDER SERIES

Dimensions



GRINDER MODEL	A		B		C		D		E		F	
	mm	in	mm	in	mm	in	mm	in	mm	in	mm	in
G3D-01	434	17.09	247	9.72	123	4.84	254.5	10.02	141	5.55	437	17.2
G3D-21	434	17.09	247	9.72	123	4.84	254.5	10.02	141	5.55	437	17.2
G3D-03	417	16.42	247	9.72	123	4.84	254.5	10.02	141	5.55	387	15.24
G3D-23	417	16.42	247	9.72	123	4.84	254.5	10.02	141	5.55	387	15.24
G3D-43	417	16.42	247	9.72	123	4.84	254.5	10.02	141	5.55	387	15.24

FAST, PROFESSIONAL, DETAILED SUPPORT

Tell Us about Your Specific Jobsite Requirements

You can count on us to deliver the very best solutions.

Fast Turnaround with Your Custom Quotation

Our technical sales department will prepare a detailed quotation with drawings for your specific submittal package within 24 hours!

Quick Shipment Program

Fully Stocked U.S. Inventory - Our quick ship program can turn an order around in as little as 24 hours* – includes U.S.-based factory-assembled components such as floats, brackets and guide rails, reducing jobsite labor – everything you need for a fast, turnkey solution.

*Please allow additional time for orders requiring impeller trims or other requirements.

