

# MYERS® MDC33/MDC50

The Myers MDC series cast iron sump/light effluent pumps are designed to operate in a variety of installations. A unique combination of corrosion-resistant materials make these pumps a great choice for extreme conditions. Pump intake screen, impeller, volute base, switch, and power cord are serviceable. Available in 1/3 and 1/2 HP models.

## APPLICATIONS

Sump/Light Effluent Dewatering

## SPECIFICATIONS

**Capacities** – Up to 62 GPM (234 LPM)

**Shut-off Head** – Up to 32' (9.75 m)

**Operation** – Tethered Models

On: 12-1/2" (318 mm)

Off: 3-1/2" (89 mm)

Vertical Models

On: 6-1/2" (165 mm); Off: 2" (51 mm)

**Solids Handling** – 1/2" (12.7 mm)

**Liquids Handling** – Drainage effluent

**Continuous Liquid Temperature** – 130°F (54°C)

**Motor/Electrical Data** – 1/3 HP, 9.8A; 1/2 HP, 12A; shaded pole with thermal overload protection, 115V, 1Ø, 60Hz, 1550 RPM

**Acceptable pH Range** – 6-9

**Shaft Seal** – Carbon and ceramic

**Housing** – Heavy cast iron

**Power Cord** – 10' (3 m) or 20' (6 m), 16/3, SJTW, SJTW-A

**Discharge, NPT** – 1-1/2" (38 mm)

**Min. Basin Diameter** –

Tethered: 14" (356 mm)

Vertical: 10" (254 mm)



## FEATURES

### Solid and Reliable

High-endurance, oil-cooled motor provides continuous bearing lubrication and maximizes heat dissipation

### Eliminates Failures

Shaded pole motor eliminates failure-prone switches and relays

### Motor Protection

Long-life carbon/ceramic seal protects motor against water leakage

### Thermal Overload

Heat sensor overload protection with automatic reset when motor cools to a safe operating temperature

### Extended Service

Lubricated ball bearings and shaft seal for longer service life

### No Drilling Required

Anti-airlock hole in base reduces added labor

### Piggyback Plug for Convenience

Vertical and tethered switch models offer a piggyback plug for automatic operation

## ORDERING INFORMATION

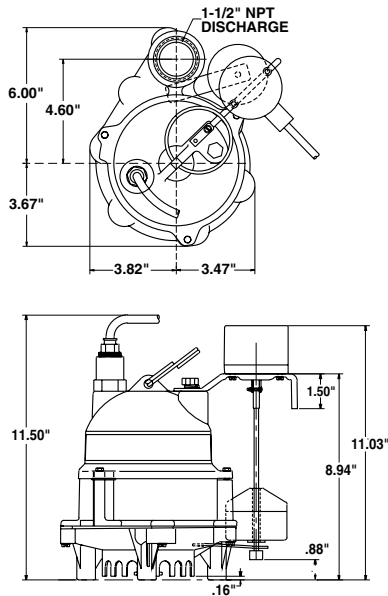
CATALOG NUMBER	SWITCH CONFIGURATION	CORD LENGTH	HP	VOLT/ PHASE	DISCHARGE SIZE	APPROX. WT. LBS.
MDC33P1	Tethered with Piggyback Plug	10'	1/3	115/1	1-1/2" NPT	25
MDC33V1	Vertical with Piggyback Plug	10'				
MDC33D1	Diaphragm with Piggyback Plug	10'				
MDC33120V	Vertical with Piggyback Plug	20'				
MDC33PC1 20	Tethered with Piggyback Plug	20'				
MDC33D1 20	Diaphragm with Piggyback Plug	20'				
MDC33PC1 30	Tethered with Piggyback Plug	30'	1/2			
MDC50P1	Tethered with Piggyback Plug	10'				
MDC50V1	Vertical with Piggyback Plug	10'				
MDC50D1	Diaphragm with Piggyback Plug	10'				
MDC5010M	Manual	10'				
MDC50PC1	Tethered with Piggyback Plug	20'				
MDC50VC1	Vertical with Piggyback Plug	20'				
MDC50D1 20	Diaphragm with Piggyback Plug	20'				

\* 30' Cord Optional

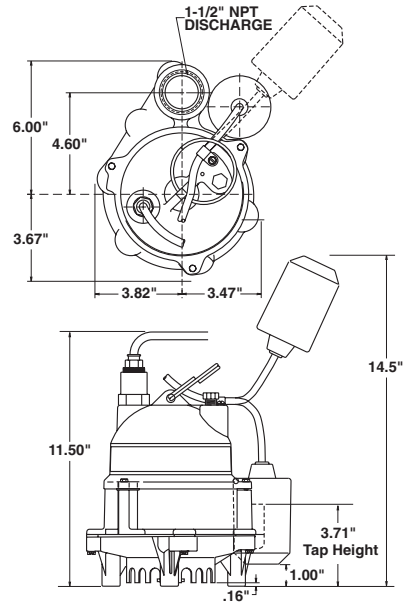
# MYERS® MDC33/MDC50

## DIMENSIONS

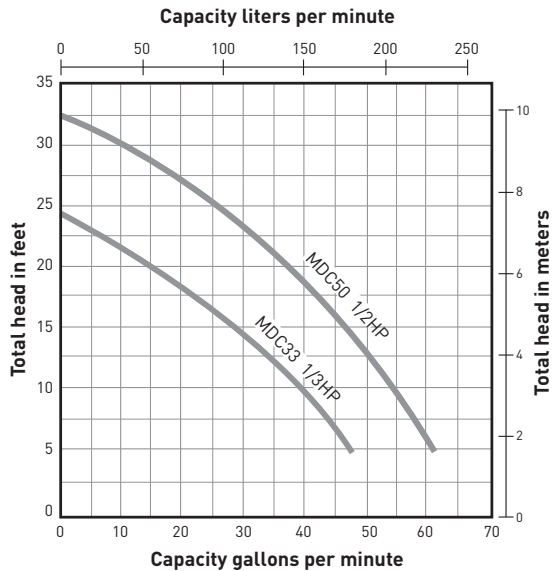
**Vertical Float –**  
Designed to fit 10”  
or larger basins



**Tethered Float –**  
Designed to fit 14”  
or larger basins



## PUMP PERFORMANCE



USA  
293 WRIGHT STREET, DELAVAN, WI 53115 WWW.FEMYERS.COM  
PH: 888-987-8677 ORDERS FAX: 800-426-9446

CANADA  
490 PINEBUSH ROAD, UNIT 4, CAMBRIDGE, ONTARIO N1T 0A5  
PH: 800-363-7867 ORDERS FAX: 888-606-5484

Because we are continuously improving our products and services, Pentair reserves the right to change specifications without prior notice.