

# MYERS® PSB1822

The Myers® Pre-Plumbed Sump Basin Package is a rugged, high-quality system ideal for basement sumps and dewatering. The basin features an approved radon-proof design. The unit comes field-ready with a 1-1/2" NPT threaded discharge flange and a 2" NPT vent flange (adaptable to 3") and includes a 1-1/2" sump check valve.



## APPLICATIONS

Basement sumps, dewatering, new or existing installations

## SPECIFICATIONS

- Capacities** – 32 GPM (121 LPM)
- Shut-off Head** – 22' (6.7 m)
- Operation** – On: 9.5" (241 mm)  
Off: 2.5" (63 mm)
- Solids Handling** – 1/4" (6.35 mm)
- Liquids Handling** – Drain water
- Intermittent Liquid Temperature** – Up to 140°F (60°C)
- Motor/Electrical Data** – 1/4 HP, 115V, 1Ø, 60Hz
- Shaft Seal** – Carbon and ceramic
- Housing** – Cast iron
- Power Cord** – 10', SJTW, SJTW-A
- Discharge, NPT** – 1-1/2" (38 mm)
- Basin Size** – 18" x 22" structural foam; 20-gallon capacity

## FEATURES

### Fully Assembled

The fully assembled system includes: pump, basin, sealed cover, internal basin discharge pipe and check valve

### Stackable Design

Allows for compact inventory and shipping

### Heavy-duty SP25 Pump

- Long-life carbon/ceramic seal protects motor against leakage
- Features an energy-saving, permanent split capacitor run motor
- Internal heat sensor prevents overheating and includes automatic reset
- Recessed impeller designed to resist clogging

### BASIN

- 18" x 22" corrosion-resistant structural foam construction
- 20-gallon capacity
- Hub adapter: 4" snap-in type with stainless steel clamp – fits 4" DWV SCH. 40 plastic pipe
- Flanges: 1-1/2" NPT threaded discharge and 2" NPT vent flange (converts to 3"); includes gas-tight cord grommet
- Check valve fits 1-1/2" black, galvanized, and DWV SCH. 40 pipe

### BASIN COVER

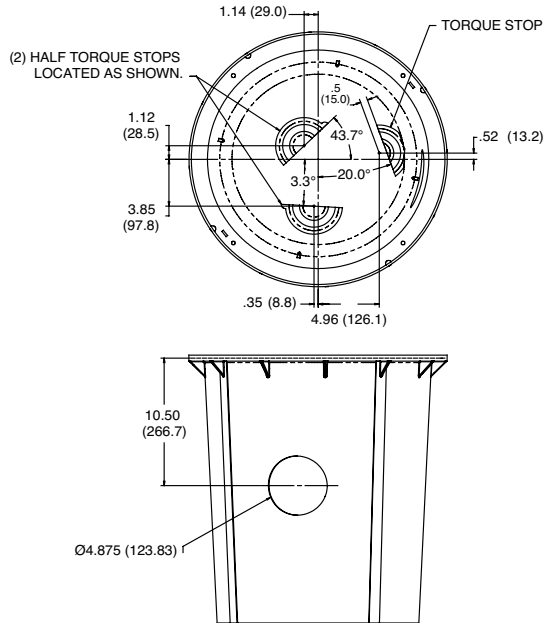
Gas-tight, single-piece design with seal; structural foam construction

## ORDERING INFORMATION

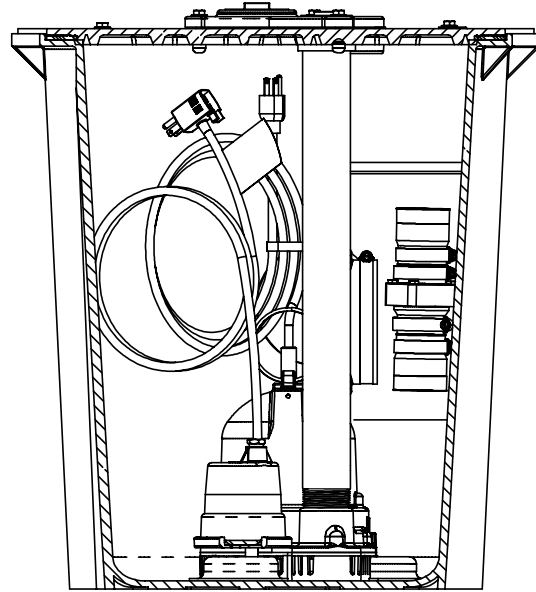
| Catalog Number | HP  | Volts | Phase/Cycles | Amps | Discharge Size | Switch Type        | Cord Length | Approx. Wt. Lbs. |
|----------------|-----|-------|--------------|------|----------------|--------------------|-------------|------------------|
| PSB1822        | 1/4 | 115   | 1/60         | 6.5  | 1-1/2"         | Tethered Automatic | 10'         | 27               |

# MYERS® PSB1822

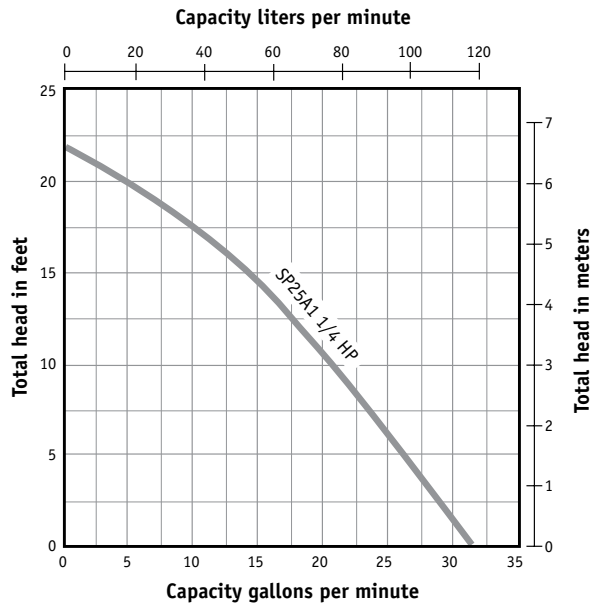
## DIMENSIONS



## SECTIONAL VIEW



## PUMP PERFORMANCE



USA  
293 WRIGHT STREET, DELAVAN, WI 53115 WWW.FEMEYERS.COM  
PH: 888-987-8677 ORDERS FAX: 800-426-9446

CANADA  
269 TRILLIUM DRIVE, KITCHENER, ONTARIO, CANADA N2G 4W5  
PH: 519-606-5484 ORDERS FAX: 800-426-9446

Because we are continuously improving our products and services, Pentair reserves the right to change specifications without prior notice.