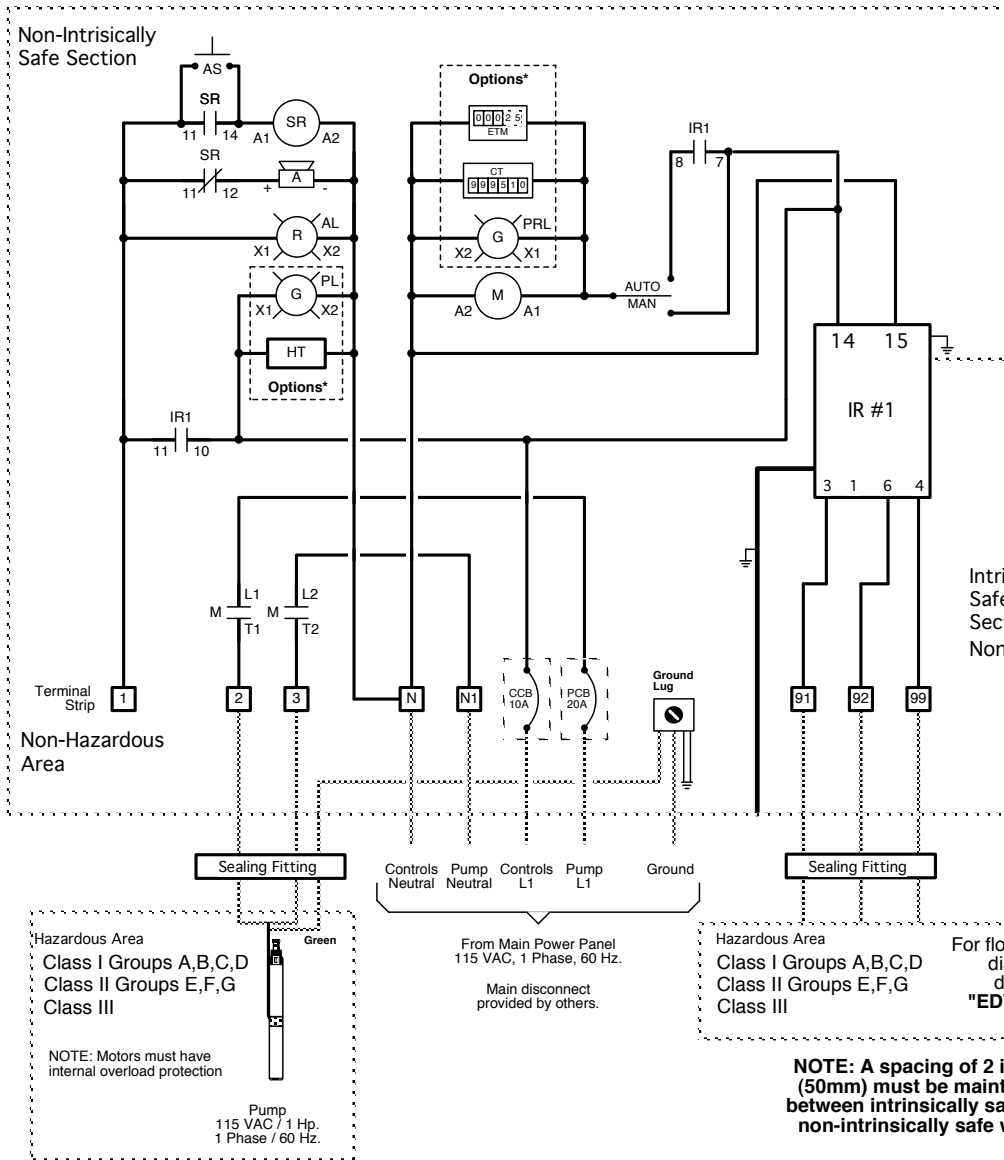


Panel Wiring Diagram Model S1 IR1



Simplex Operation

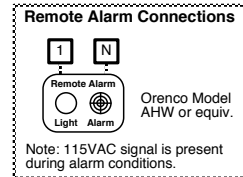
High Level Alarm: This float activates the alarm light and audible alarm when lifted. The audible alarm may be silenced by pressing the illuminated PUSH TO SILENCE button on the front of the control panel. The alarm light will remain on until the float is lowered.

Pump On: This float turns on the pump when lifted. The pump will continue to run until the pump off float is lowered.

Pump Off: This float shuts off the pump when lowered.

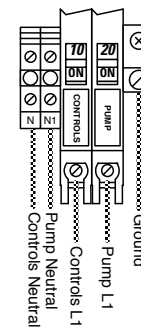
Key

- = Factory Wire
 - = Field Wire
 - - - = Alternate Field Wire
 - A = Audio Alarm, 115 VAC
 - AL = Alarm Light
 - AS = Audio Silence Switch
 - CCB = Controls Circuit Breaker
 - IR = Intrinsically Safe Relay
 - M = Motor Contactor
 - PCB = Pump Circuit Breaker
 - SR = Silence Control Relay
 - TL = Terminal Link
- *Options**
- CT = Cycle Counter
 - ETM = Elapsed Time Meter
 - HT = Heater
 - PL = Power Light
 - PRL = Pump Run Light

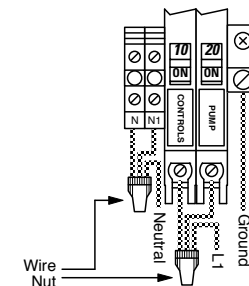


Power Wiring Options

Two Circuits



One Circuit



Use one wire nut to connect the pole of the pump circuit breaker together with the controls breaker and with the incoming L1 power line. Use another wire nut to connect the neutral block of the pump with the controls neutral block and with the incoming neutral line.