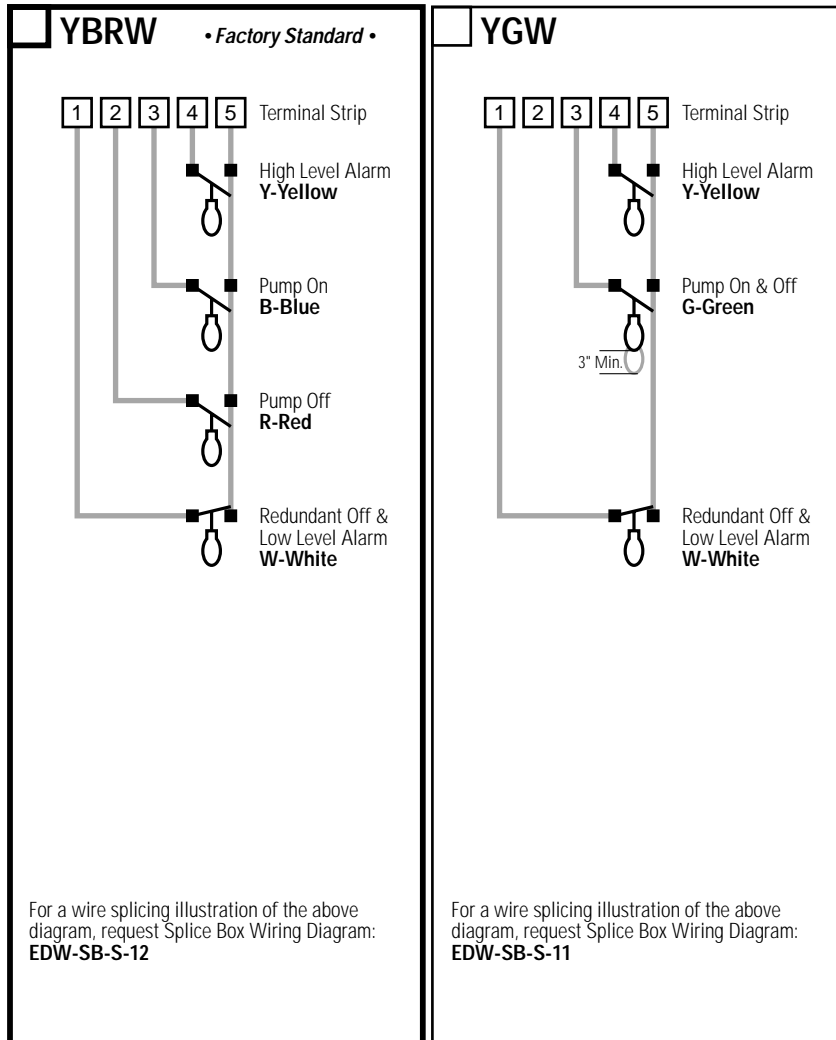


# Float Arrangement Diagram



**Oreco Systems®**  
Incorporated

Check the appropriate box for the float function (color code) used in your system.



## Float Types

**Typical OSI float model: A**  
**Specs:** contact - normally open  
differential - no minimum  
power rating - signal  
**Possible substitutions:** B,C,D

**Typical OSI float model: B**  
**Specs:** contact - normally open  
differential - 3" min.  
power rating - signal  
**Possible substitutions:** C,D

**Typical OSI float model: T**  
**Specs:** contact - normally closed  
differential - no minimum  
power rating - signal

814 AIRWAY AVENUE  
SUTHERLIN, OREGON  
97479-9012

TELEPHONE:  
(541) 459-4449

FACSIMILE:  
(541) 459-2884

Control Panel Series

S RO

Drawing No.

EDW-FA-S-2

EDW-FA-S-2  
Rev 2.1 ©12/18/98