

RED LION®

EN ENGLISH

SHALLOW WELL JET PUMP RL-SWJ Series Owner's Manual

**THIS PUMP IS DUAL VOLTAGE AND FACTORY SET FOR 230 VOLTS.
SEE VOLTAGE SETTING INSTRUCTIONS TO SET FOR 115 VOLTS.**

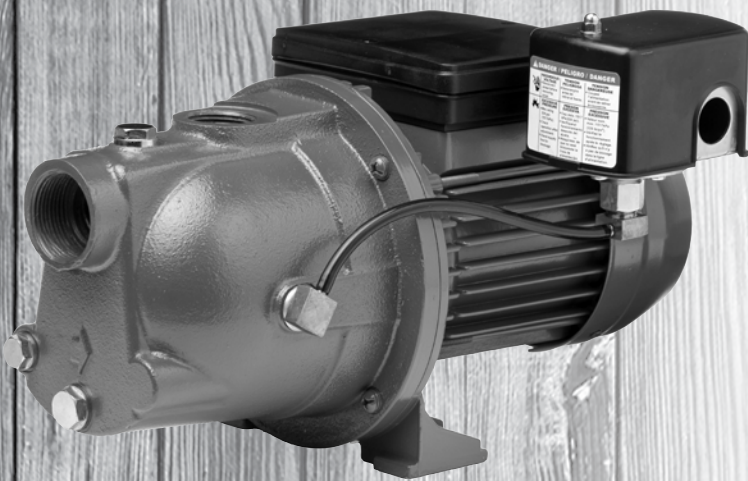




Table of Contents


Before Getting Started	2
Installation Checklist	3
Introduction.....	4
Voltage Setting Instructions	4
Materials and Tools Needed.....	5
Important Information.....	5
Quick Installation Guide	6
Detailed Installation Instructions	7-8
Typical Installations	9
Pump to Tank Installation	10
Wiring Instructions	11
Priming the Pump	12
Maintenance.....	13-14
Troubleshooting.....	14
Replacement Parts	15
Limited Warranty.....	16


BEFORE GETTING STARTED


Read and follow safety instructions. Refer to product data plate(s) for additional operating instructions and specifications.

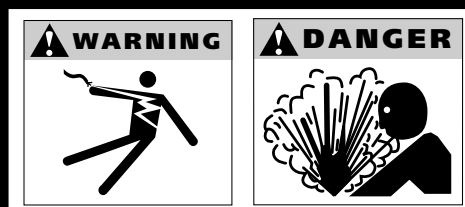
This is the safety alert symbol. When you see this  symbol on your pump or in this manual, look for one of the following signal words and be alert to the potential for personal injury or property damage if ignored:

 **DANGER** warns about hazards that will cause serious personal injury, death or major property damage if ignored.

 **WARNING** warns about hazards that can cause serious personal injury, death or major property damage if ignored.


 **CAUTION** warns about hazards that will or can cause minor personal injury or major property damage if ignored.


 **NOTICE** indicates special instructions which are important but not related to hazards. Carefully read and follow all safety instructions in this manual and on pump.



BEFORE OPERATING OR INSTALLING THIS PUMP, READ THIS MANUAL AND FOLLOW ALL SAFETY RULES AND OPERATING INSTRUCTIONS.

 **WARNING** READ AND FOLLOW ALL SAFETY INSTRUCTIONS.

 **WARNING ELECTRICAL PRECAUTIONS** - All wiring, electrical connections, and system grounding must comply with the National Electrical Code (NEC) and with any local codes and ordinances. Employ a licensed electrician.

 **WARNING FOR DUAL VOLTAGE MOTORS (115/230 V)** - Voltage change instructions are located in this manual.

 **NOTICE** The motor voltage is factory set at 230 V.

 **WARNING RISK OF ELECTRIC SHOCK**

- Have an electrician provide electrical power to motor.
- We recommend that a separate circuit be lead from the home electrical distribution panel, properly protected with a fuse or a circuit breaker.
- A ground fault interrupter (GFI) protected circuit is also recommended for use with any electrical device operating near water.
- For recommended cable size see Table 2.
- Motor must be grounded and terminal cover in place to reduce electrical shock hazard.
- Keep motor operating area as dry as possible.
- Always disconnect power before servicing.
- Not investigated for use in swimming pool areas.

 **WARNING 75 PSI PRESSURE RELIEF VALVE RECOMMENDED**

This pump is capable of producing high pressure. Installing a 75 psi pressure relief valve is highly recommended.

INSTALLATION CHECKLIST

This checklist has been provided for your convenience. If a step was missed, ensure power has been shut off at the breaker and completely relieve pressure from the water system before continuing to work on the system.

⚠ WARNING 75 PSI PRESSURE RELIEF VALVE RECOMMENDED

This pump is capable of producing high pressure. Installing a 75 psi pressure relief valve is highly recommended.

Model #: _____

Serial #: _____

Date purchased: _____

Location purchased: _____

KEEP THIS MANUAL ACCESSIBLE FOR FUTURE REFERENCE.

✓	Description
	Voltage setting on pump verified and set to match voltage on the circuit breaker
	Foot valve (for drilled wells) or check valve (for driven well) installed
	Wiring and electrical connected by licensed electrician
	Pump intake connected to piping in well
	Well seal in place
	Pump discharge connected to tank and service line
	Tank pressure checked and charged to 28 psi
	All joints sealed with PVC cement, PTFE tape or heat and clamps
	All connections checked for leaks
	Pressure relief valve installed
	All other accessories installed: drain cock, shut-off valve, pressure gauge (optional)
	Breaker turned on
	Pump primed
	Model number and serial number recorded in this manual
	Receipt stapled to manual

INTRODUCTION

The shallow well jet pump is ideal for the supply of fresh water to rural homes, farms, and cabins. This pump is suitable for installations where the vertical distance from the pump to the water level does not exceed 25 ft (7.6 m), including drawdown (less at high altitudes). In offset installation, friction losses in the suction pipe must be taken into consideration (refer to **Table 1, Friction Loss**).

This instruction sheet provides you with the information required to safely own and operate your product. Retain these instructions for future reference.

The product you have purchased is of the highest quality workmanship and material, and has been engineered to give you long and reliable service. This product has been carefully tested, inspected, and packaged to ensure safe delivery and operation. Please examine your item(s) carefully to ensure that no damage occurred during shipment. If damage has occurred, please contact the place of purchase. They will assist you in replacement or repair, if required.

READ THESE INSTRUCTIONS CAREFULLY BEFORE ATTEMPTING TO INSTALL, OPERATE OR SERVICE YOUR PRODUCT. KNOW THE PRODUCT'S APPLICATION, LIMITATIONS, AND POTENTIAL HAZARDS. PROTECT YOURSELF AND OTHERS BY OBSERVING ALL SAFETY INFORMATION. FAILURE TO COMPLY WITH THESE INSTRUCTIONS COULD RESULT IN PERSONAL INJURY AND/OR PROPERTY DAMAGE!

VOLTAGE SETTING INSTRUCTIONS

To change the pump voltage from the factory setting of 230 Volts, a qualified electrician should:

1. Disconnect power supply to pump
2. Remove the cover from the motor terminal box
3. Slide the voltage switch from 230 V to 115 V, as shown in Figure 2
4. Reassemble the terminal box cover

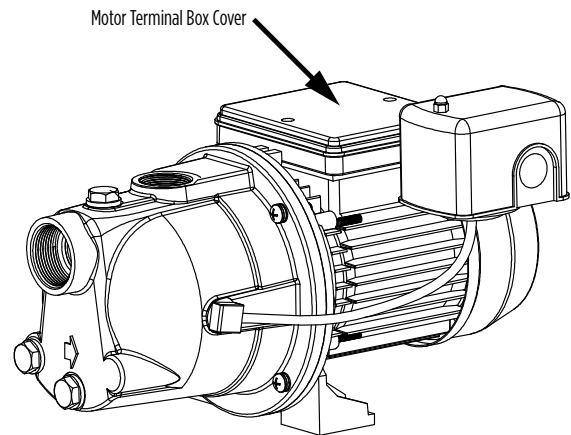


Figure 1

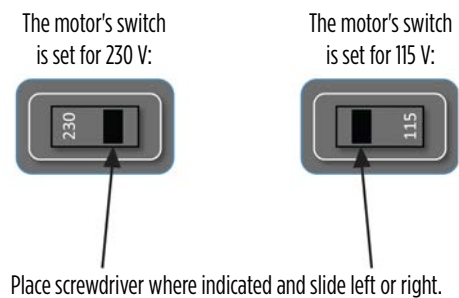


Figure 2 - VOLTAGE SWITCH

MATERIALS AND TOOLS NEEDED

MATERIALS NEEDED

Pipe Joints

- One roll of PTFE tape
- One can PVC primer
- One can PVC cement
- Steel clamps (optional)

Drilled Wells (driven well materials are listed separately)

- One 1-1/4" foot valve (not needed for driven wells)
- One 1-1/4" PVC pipe (to attach to foot valve – needed for shallow well only)
- Rigid 1-1/4" PVC pipe and couplings to reach from bottom of well to pump
- One 1-1/4" male PVC adapter (for discharge opening)
- Well seal with vent tube
- One 1-1/4" PVC 90° elbow (to join piping from well to pump)
- One 1-1/4" male galvanized adapter (for suction opening)

Driven Wells

- Well point (more than one may be needed)
- 1-1/4" galvanized pipe from bottom of well to the top of well plus 1 ft (30 cm) (if more than one well point is needed, additional piping and elbows will be needed to join the well points together)
- One 1-1/4" galvanized 90° elbow
- One 1-1/4" galvanized nipple
- One 1-1/4" check valve
- One 1-1/4" male PVC adapter
- One 1-1/4" male galvanized adapter
- 1-1/4" PVC pipe measured from adapter connected to pump to check valve
- Restrictor valve (connected after the elbow on the pump discharge)
- Low pressure cut-off pressure switch (recommended)

Pump to Tank Installation

- One male PVC adapter (attached to tank) – the tank fitting size depends on the system connect on the tank
- One tank tee – size should be the same as the adapter above
- One 1" PVC elbow
- PVC piping to fit from tank tee to the elbow on the pumps discharge and to join the service line
- High pressure safety relief valve (attached to the tank tee)
- One 1/2" drain cock (attached to the tank tee)

TOOLS NEEDED

- Round file
- Pipe clamp
- Pipe wrench or crescent wrench
- Slotted screwdriver
- Cross-head screwdriver
- Hacksaw or reciprocating saw
- Heat gun (optional)

IMPORTANT INFORMATION

JOINING PIPE FITTINGS

Follow the fitting guidelines below for all attachments unless otherwise specified.

PVC PIPE FITTINGS

When joining two PVC joints together (such as joining an adapter to a PVC pipe) always use PVC primer to clean both pieces– applying the primer to the inside of one joint and the outside of the other joint so the primed areas meet. Select Method 1, 2 or 3 to affix the joints. When tightening PVC, tighten securely but do not over-tighten or you could break the fitting.

Method 1 – PTFE tape: Wrap PTFE tape tightly around the male threads. Start wrapping the threads at the end of the pipe, keeping tension on the tape. Do not let the tape hang over the edge of the adapter. Wrap in the direction of the threads starting from the end for the full length of the adapter. Overlap each wrap about 70%.

Method 2 – Using PVC cement: Apply PVC cement to the areas that were just primed and join the two pieces together. Twist to the right and back to the left to help imbed the cement between the pieces.

Method 3 – Using heat and clamps: Add two steel clamps to the largest fitting before joining the fittings. Heat the largest fitting with a heat gun (follow all safety instructions in the heat gun manual). This will shrink the fitting, bonding it to the smaller joint. Once the joint has cooled down, tighten the clamps with a screwdriver.

METAL PIPE FITTINGS

Use PTFE tape or thread compound to coat the threadings.

**CHECK TO ENSURE THE JOINTS ARE AIRTIGHT.
EVEN A PINHOLE CAN PREVENT PROPER OPERATION OF THE PUMP.**

SUCTION AND PRESSURE PIPE

It is recommended that only new, clean 1-1/4" pipe or hose be used. If the pump is installed any appreciable distance away from the source of water, the suction pipe should be increased to 1-1/2". Horizontal lengths of pipe must gradually slope upward from the source of water to the pump to avoid air pockets in the line. Thread compound should be used on all pipe joints and connections should be thoroughly tightened. **A foot valve or check valve must be installed** and its operation should be checked since a leak will prevent proper operation of the system. Make sure the foot valve is located so that it will be submerged at all times. If a sandpoint or driven well is used, install a check valve next to the pump suction instead of the foot valve (see **Typical Installations** Figure 5). All installations must have a foot valve or a check valve in the suction pipe.

QUICK INSTALLATION GUIDE (Replacing an Existing Pump)

This quick installation guide assumes you will be cutting the existing pump free from the plumbing. More detailed instructions are provided in the **Detailed Installation Instructions**.

⚠ WARNING DO NOT RUN THE PUMP BEFORE PRIMING IT; THE SEAL AND IMPELLER COULD BE PERMANENTLY DAMAGED

1. Ensure power has been shut off at the breaker before proceeding.
2. **This pump is dual voltage (115/230 V)! Inspect the voltage wiring on the pump and ensure it matches the voltage on the breaker before continuing with the installation (see Voltage Setting Instructions).**
3. Completely relieve pressure from the water system before working on the water system. Open the faucet nearest the tank and allow the water to drain until the tank is empty.
4. Disconnect wiring from the pressure switch to the electrical source.
5. Using a hacksaw or reciprocating saw, cut all PVC piping as close to the old pump as possible at both the suction and discharge openings. Ensure the pipe from the well and the pipe from the tank are clean and free of any pipe shavings or pieces as these could get into the pump and damage the impeller.
6. Set the new pump in place.
7. Seal the threads on the suction opening on the pump with PTFE tape or thread compound and insert the 1-1/4" male galvanized adapter into the suction opening. Tighten securely but do not over-tighten as this could crack the fitting.
8. Attach the 1-1/4" PVC pipe from the well to the male adapter (additional fittings may need to be added). **Check to ensure the joints are airtight. Even a pinhole can prevent proper operation of the pump.**
9. Seal the threads of the discharge opening on the pump with PTFE tape or thread compound and insert the 1" male PVC adapter into the discharge opening. Tighten securely but do not over-tighten as this could crack the fitting.
10. Attach the 1" PVC pipe from the tank to the 1" male PVC adapter (additional fitting may need to be added). **Check to ensure the joints are airtight. Even a pinhole can prevent proper operation of the pump.**
11. A pressure gauge is not supplied with the pump. It should be installed into the 1/8" NPT hole on the front of the casing on the opposite side of the pressure switch (see **Typical Installations** Figures 3, 4, 5, or 6).
12. An electrician should be employed to do the wiring and connect the electrical service to the pump (see **Wiring Instructions**).
13. Prime the pump (see **Priming Instructions**).
14. Verify everything has been completed using the **Installation Checklist** provided in this manual.

DETAILED INSTALLATION INSTRUCTIONS

⚠ WARNING DO NOT RUN THE PUMP BEFORE PRIMING IT; THE SEAL AND IMPELLER COULD BE PERMANENTLY DAMAGED

Before proceeding, ensure power has been shut off at the breaker. If this is replacing an existing pump, completely relieve pressure from the water system before working on the water system. Open the faucet nearest the tank and allow the water to drain until the tank is empty.

SHALLOW WELL APPLICATION

(for pumping depths down to 25 ft [7.6 m])

Shallow well installations use only a single pipe connecting the pump to the water supply. This pump can be used for drilled wells (see Figures 3, 4 or 6) or driven wells (see Figure 5). Drilled wells are holes drilled into the ground by professional well drillers using a large rig. Driven wells use well points (also known as sand points), which is a long pointed tube with a screen that allows water to enter the pipe but keeps out sand and sediment. The water level in a driven well is fairly high or near ground level (maximum 30 ft [9.1 m]). Continue with the appropriate shallow well installation.

DRILLED WELLS (with foot valve)

1. Measure from the bottom of the well to the top of the well and subtract 5 ft (1.5 m). This is the length of 1-1/4" rigid PVC pipe and couplings you will need from the bottom of the well to the first elbow. Cut the pipe and use a round file to smooth the pipe cutting. Ensure the pipe is clean and free of any pipe shavings or pieces as these could get into the pump and damage the impeller. The remainder of the pipe will be used to connect the pump to the well.
2. Attach the 1-1/4" male PVC adapter to one end of the rigid PVC pipe and attach the adapter to the foot valve. **Check to ensure the joints are airtight. Even a pinhole can prevent proper operation of the pump.**
3. Firmly clamp the unfinished end of the pipe with a pipe clamp 1 ft (30 cm) from the top of the pipe. This will prevent the pipe from dropping to the bottom of the well. Lower this section into the well foot valve first.
4. On the end protruding from the well, which is held in place with the pipe clamp, insert the well seal and have the pipe protrude 1 ft (30 cm) outside of the well seal. If you have measured correctly, the foot valve will be suspended 4 ft (1.2 m) from the bottom of the well. This will ensure sand and sediment doesn't get drawn into the system. Install a well vent tube in the well cap.
5. Attach the end of the pipe securely to a 1-1/4" PVC 90° elbow.
6. Install the pump in a clean, dry, and ventilated location which provides adequate room for services and protection from freezing temperatures. It should be bolted to a good foundation, preferably concrete, and provided with adequate drainage. Locating the pump as close as possible to the water source reduces the friction in the suction pipe and will provide maximum performance.
7. A pressure gauge is not supplied with the pump. It should be installed into the 1/8" NPT hole on the front of the casing on the opposite side of the pressure switch (see **Typical Installations** Figures 3, 4 or 6).
8. Attach a 1-1/4" male galvanized adapter into the suction inlet. Do not over-tighten as this could crack the fitting.
9. Use the remainder of the PVC pipe from Step 4. Smooth the pipe cutting using a round file. Ensure the pipe is clean and free of any pipe shavings or pieces as these could get into the pump and damage the impeller; connect one end of the pipe to the adapter attached to the suction inlet. **Check thoroughly for any leaks. All connections and joints must be airtight. A small pinhole leak can prevent the pump from operating properly.**
10. Follow the **Pump to Tank Installation** procedures.
11. Verify everything has been completed using the **Installation Checklist** provided in this manual.

DETAILED INSTALLATION INSTRUCTIONS

DRIVEN WELL (with check valve and well point)

1. Drive the well point into the ground according to the instructions that come with the well point. It must be deep enough to bore through the water bearing formation below the water table but should not exceed 25 ft (7.6 m) in depth. An individual well point may not supply the amount of water needed. Sometimes it is necessary to use more than one well point to increase the water supply. The two separate well points can be jointed together using additional piping and a cross joint (see Figure 5).
2. Plan to have at least 1 ft (30 cm) of pipe protruding from the ground. The rise pipe should be galvanized pipe in approximately 5 ft (1.5 m) sections. This makes it easier to hand drive. Use as much pipe and as many drive couplings as it takes to both reach the water and account for the 1 ft (30 cm) of pipe protruding from the ground.
3. Attach a 1-1/4" galvanized elbow onto the pipe protruding from the ground.
4. Attach a 1-1/4" galvanized nipple to the 1-1/4" galvanized elbow.
5. Attach a 1-1/4" check valve to the 1-1/4" galvanized nipple.
6. Attach a 1-1/4" male PVC adapter to the 1-1/4" check valve.
7. Install the pump in a clean, dry, and ventilated location which provides adequate room for services and protection from freezing temperatures. It should be bolted to a good foundation, preferably concrete, and provided with adequate drainage. Locating the pump as close as possible to the water source reduces the friction in the suction pipe and will provide maximum performance.
8. A pressure gauge is not supplied with the pump. It should be installed into the 1/8" NPT hole on the front of the casing on the opposite side of the pressure switch (see **Typical Installations** Figure 5).
9. Attach a 1-1/4" male galvanized adapter into the pump suction inlet. Do not over-tighten as this could crack the fitting. Measure from this adapter to the check valve that was installed in Step 6. Cut 1-1/4" PVC pipe to this measurement. Using a round file, smooth the pipe cutting. Ensure the pipe is clean and free of any pipe shavings or pieces as these could get into the pump and may damage the impeller. Attach the 1-1/4" PVC pipe to the adapter and then to the check valve. **Check thoroughly for any leaks. All connections and joints must be airtight. A pinhole leak can prevent proper operation of the pump.**
10. Driven wells water levels may, at times, be too low to pump up. To prevent damage to the pump, have an electrician replace the pressure switch with a low pressure cut-off switch.
11. Follow the **Pump to Tank Installation** procedures.
12. Verify everything has been completed using the **Installation Checklist** provided in this manual.

TYPICAL INSTALLATIONS

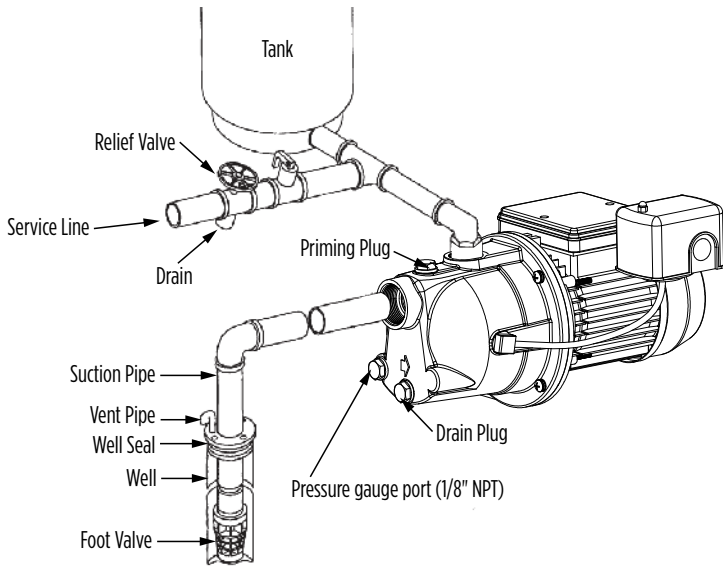


Figure 3 - SHALLOW WELL
(with foot valve)

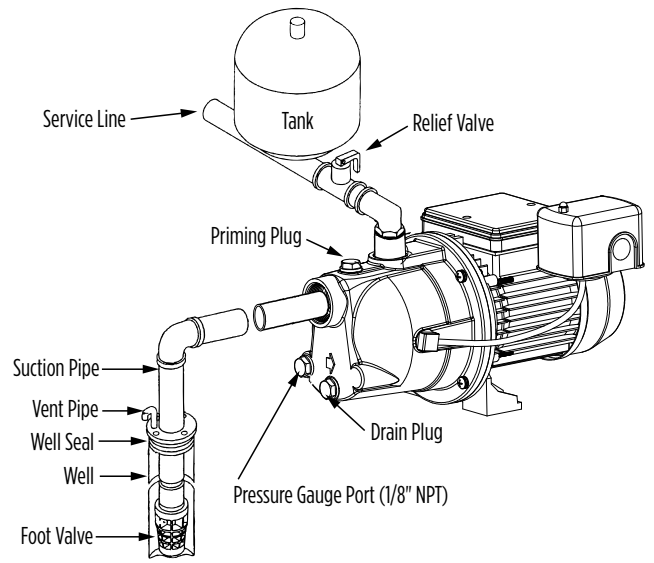


Figure 4 - SHALLOW WELL, INLINE TANK
(with foot valve)

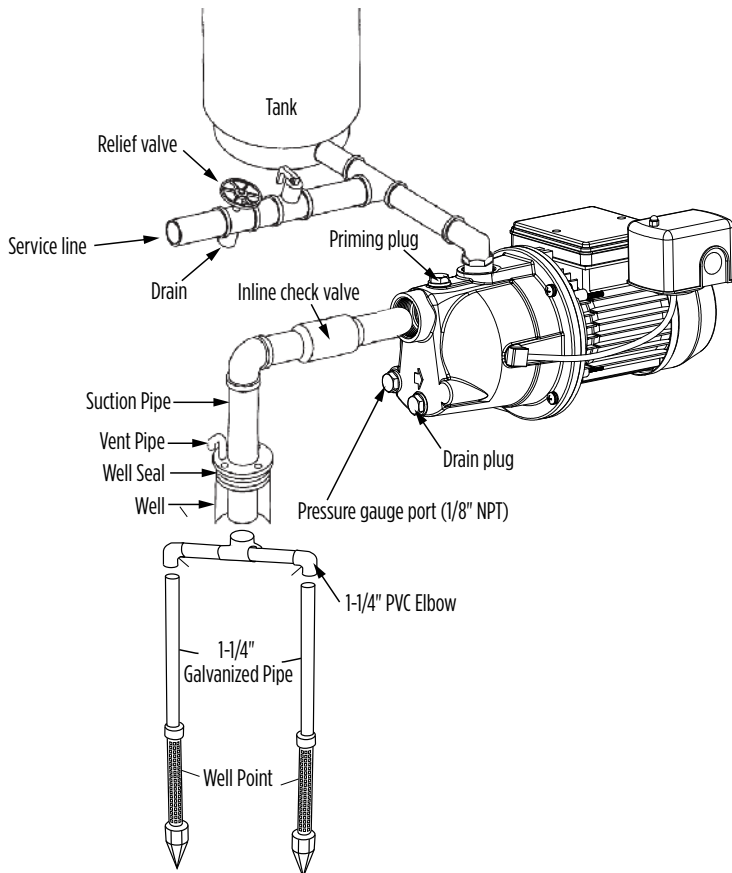


Figure 5 - SHALLOW WELL
(with inline check valve)

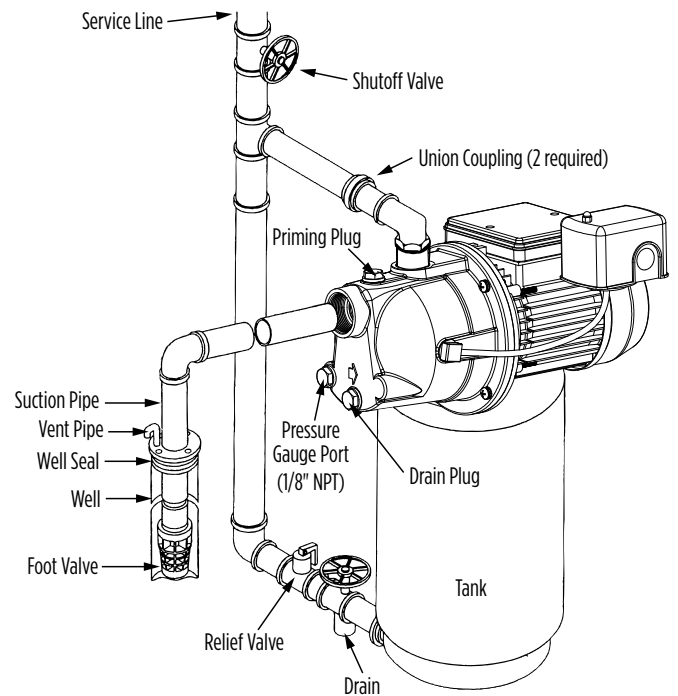


Figure 6 - SHALLOW WELL, TANK MOUNTED SYSTEM
(with foot valve)

PUMP TO TANK INSTALLATION

Red Lion® recommends using pre-charged diaphragm tanks. Instructions for connecting the pump to a diaphragm tank have been provided for your convenience.

If a non-diaphragm tank is used in the pressure system, an air volume control must be used to maintain an air cushion in the pressure tank. If not, air in the tank will gradually be absorbed by water, causing the tank to water log and the pump to short cycle (turn off and on frequently). This greatly shortens the life of the motor. An air volume control will provide the right air/water ratio and prevent water logging. Refer to the pressure tank owner's manual for instructions.

NOTE: A check valve should never be installed between the pump and the tank.

Before proceeding, ensure power has been shut off at the breaker. If this is replacing an existing pump, completely relieve pressure from the water system before working on the water system. Open the faucet nearest the tank and allow the water to drain until the tank is empty.

⚠ WARNING

75 PSI PRESSURE RELIEF VALVE RECOMMENDED

This pump is capable of producing high pressure. Installing a 75 psi pressure relief valve is highly recommended.

1. The discharge pipe from the pump to the tank should be as short and direct as possible and should be the same size as the discharge outlet. You should have already attached a 1" PVC adapter to the discharge opening of the pump.
2. Attach a PVC 90° elbow to the adapter.
3. Attach a male PVC adapter to the tank. The tank fitting size depends on the system connect on the tank.
4. Install a 1" brass tank tee to the tank adapter.
5. Measure the distance from the tank tee to the elbow (or restrictor valve) on the pump's discharge and attach 1" PVC piping to fit.
6. Attach accessories to the brass tee such as restrictor valve (recommended for well point installations), high pressure safety relief valve (recommended for all installations), and drain cock. Ensure the high pressure safety relief valve's location is near the discharge of the pump, in an area with adequate drainage. Be sure to direct the valve so that any water flow will not spray toward the pump or any other electrical devices.
7. Add piping and coupling to join up the service line. The size of the service line required is governed entirely by the amount of water needed and the length of the pipe. The pipe selected should be large enough so that the friction loss (determined from **Table 1, Friction Loss for Plastic Pipe**) will never exceed 20 ft (6 m) of head.
8. Remove the PVC cap on the air valve on the tank.

9. Check the tank pre-charge with a tire gauge. It should be equal to 2 psi below the pressure switch cut-in setting (the pressure at which the pump will start). For this pump that is 30 psi, therefore the pre-charge pressure should be adjusted to 28 psi. Use a tire pump or air compressor to charge the tank, if necessary.
10. Replace and tighten the PVC cap on the air valve.
11. See **Typical Installations** for examples of different pump/tank configurations.
12. Verify everything has been completed using the **Installation Checklist** provided in this manual.

Table 1 - FRICTION LOSS FOR PLASTIC PIPE*

Loss of head in feet due to friction per 100 feet of pipe.

Nominal Pipe Size U.S. GPM	3/4"	1"	1-1/4"	1-1/2"	2"
4	3.75	1.15	0.30	0.14	-
5	5.66	1.75	0.46	0.22	-
6	7.95	2.45	0.65	0.31	-
7	10.60	3.25	0.86	0.41	-
8	13.50	4.16	1.10	0.52	-
9	16.80	5.17	1.35	0.65	-
10	20.40	6.31	1.67	0.79	0.25
11	24.40	7.58	1.98	0.95	0.27
12	28.60	8.85	2.33	1.10	0.32
14	38.00	11.80	3.10	1.46	0.43
16	48.60	15.10	3.96	1.87	0.55
18	60.50	18.70	4.93	2.33	0.69
20	73.50	22.80	6.00	2.83	0.84

Loss of head in meters, due to friction per 100 meters of pipe.

Nominal Pipe Size L/Min.	20mm	25mm	32mm	40mm	50mm
15	3.7	1.15	0.30	0.13	-
20	5.3	1.64	0.43	0.19	-
25	7.1	2.18	0.56	0.27	-
30	13.5	4.13	1.08	0.49	-
35	16.3	5.00	1.31	0.61	-
40	23.5	7.30	1.90	0.88	0.25
45	28.3	8.74	2.31	1.07	0.29
50	34.2	10.60	2.79	1.32	0.38
55	40.7	12.60	3.32	1.56	0.46
60	48.1	14.90	3.92	1.85	0.54
65	55.7	17.30	4.45	2.15	0.63
70	63.8	19.70	5.20	2.46	0.73
75	72.2	22.40	5.89	2.78	0.83

*For galvanized pipe, double the figures.

WIRING INSTRUCTIONS

⚠ WARNING ELECTRICAL PRECAUTIONS

All wiring, electrical connections, and system grounding must comply with the National Electrical Code (NEC) and with any local codes and ordinances. Employ a licensed electrician.

⚠ WARNING RISK OF ELECTRICAL SHOCK

Before servicing motor-operated equipment, shut off the power at the main electrical panel and disconnect the power supply from motor and accessories. Use safe working practices during servicing of equipment.

WIRING

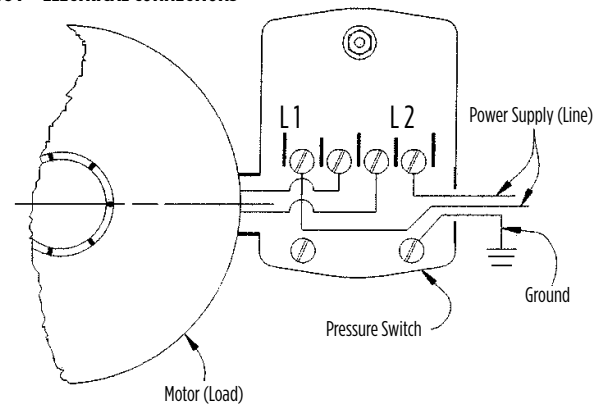
An electrician should be employed to do the wiring and connect the electrical service to the pump. The pressure switch is wired to the motor at the factory and the voltage for which the motor is wired is indicated by the voltage change device which is found under the wiring access cover located on the back of the pump. Make sure the motor is wired for the same voltage as the power supply. Refer to the inside of the wiring access cover or this manual for voltage changing instructions. The power lines should be connected to the pressure switch terminals marked "line" (Figure 7). It is recommended that a separate circuit be led from the distribution panel to the pump unit. A ground fault interrupter (GFI) protected circuit should be used for all electrical devices operating near water. Install a properly fused disconnect switch in the line and make certain the wiring is adequately sized and well insulated. **Undersized wire between the motor and the power source will adversely limit the starting and load carrying abilities of the motor.** Minimum wire sizes for motor branch circuits are recommended (see Table 2). For added safety, the pump and motor should be grounded to the well casing, if metal, or the ground in the distribution panel.

Table 2 - MAXIMUM WIRE LENGTH

MOTOR		WIRE GAUGE (AWG)				
HP	Volts	25 ft (8 m)	50 ft (15 m)	100 ft (30 m)	150 ft (46 m)	200 ft (61 m)
1/2	115	14	14	12	10	8
	230	14	14	14	14	14
3/4	115	14	14	10	8	8
	230	14	14	14	14	12
1	115	14	12	10	8	6
	230	14	14	14	14	12

Based on an approximate 3% voltage drop.

Figure 7 - ELECTRICAL CONNECTIONS



PRIMING THE PUMP

⚠ WARNING DO NOT RUN THE PUMP BEFORE PRIMING IT; THE SEAL AND IMPELLER COULD BE PERMANENTLY DAMAGED.

NOTE: You will need enough water to fill the suction line(s) and casing. Priming time depends on the distance from the water source to the pump (5-15 minutes).

USING AN INLINE CHECK VALVE

1. Open the discharge valve on service line and nearby tap to monitor water flow.
2. With a wrench, remove the priming plug.
3. Pour clean water through the priming plug opening.
4. Continue filling the pump until water flows out of the priming hole.
5. Reinstall the priming plug, hand tighten.
6. Start the pump. If a tap is visible, you may see a short discharge of water that will last 5-10 seconds.
7. Run the pump for 2 minutes and then shut it off. Remove the priming plug.
8. You have completed the first priming cycle, consisting of Steps 3 to 7. This process will have to be repeated from 2 to 6 times, depending on the length of your suction line. (Approximately one priming cycle for every 5 ft [1.5 m] of suction line.) You will know when to stop because the pump will begin to pump water continuously.
9. Once the pump begins pumping water continuously, firmly tighten the priming plug with a wrench.
10. If the pump does not draw water within 8 tries, shut it off and check the suction line for leaks.

USING A FOOT VALVE

1. Open the discharge valve on the service line and nearby tap to monitor water flow.
2. With a wrench, remove the priming plug.
3. Pour clean water through the priming plug opening. You will need approximately 1 quart (1 liter) of water for every 3 ft (1 m) of suction line.
NOTE: If you are unable to fill the suction line, please follow the directions for an inline check valve.
4. Continue filling the pump until water flows out of the priming hole.
5. Reinstall the priming plug, hand tighten.
6. Start the pump. If the pump is primed correctly it should start pumping water immediately.
7. If within 2 minutes water is not being pumped continuously, stop the pump. Remove the priming plug. Repeat Steps 3 through 7. If this does not work, stop the pump and check the suction line for leaks.
8. Once the pump begins pumping water continuously, firmly tighten the priming plug with a wrench.

MAINTENANCE

⚠ WARNING RISK OF ELECTRICAL SHOCK

Before servicing motor-operated equipment, shut off the power at the main electrical panel and disconnect the power supply from motor and accessories. Use safe working practices during servicing of equipment.

PERFORM INSPECTIONS MONTHLY

1. Ensure pump is still securely bolted to the foundation.
2. To avoid any fire hazards, ensure that there is adequate clearance from any combustible materials, shelving or cabinets. Ensure there are no leaves or debris near the pump.
3. Ensure that the motor is securely wired into a proper GFCI-protected circuit. Test the GFCI periodically by pressing the test switch when the pump is operating. This should shut off the pump. If the GFCI does not shut the pump off, have an electrician replace the GFCI as soon as possible. Remember to reset the GFCI by pressing the reset switch.
4. Look for any signs of leaks in pipes. Replace or repair, if necessary.
5. Clean the exterior of the pump, if needed, with a solution of vinegar and water.

DRAINING

Should the unit be subject to freezing, it will be necessary to drain the pump and tank. To do this, shut off the power to the pump at the main electrical panel. Open a tap in the water system to release the pressure. Remove the drain and priming plugs from the pump casing. Remove the pressure tank drain plug (if so equipped). Allow ample time for the system to drain before reinstalling the plugs.

LUBRICATION

The pump requires none.

REPLACING MECHANICAL SEAL (See Figure 8)

⚠ CAUTION ONLY DULY QUALIFIED PERSONS SHOULD PERFORM MAINTENANCE ON ELECTRICAL AND/OR MECHANICAL DEVICES.

Disassembly:

1. Shut off the power to the pump at the main service panel and disconnect the power supply from motor.
2. Open a tap in the water system to release the pressure.
3. Remove the drain and fill plugs to allow the pump to drain.
4. Remove the bolts (1) and remove casing (2).
5. Remove fan shroud fasteners from the motor and remove the fan shroud (3).

⚠ CAUTION Care must be taken not to damage the motor fan or shroud.

6. Remove the impeller (4) by firmly holding on to the motor fan (5) and turn the impeller in a clockwise direction.
7. Slip rotating seal (9) off the shaft.
8. Remove motor tie bolts and remove motor (6) from adapter (7) by slightly tapping end of motor shaft with a mallet.
9. Remove the adapter plate and the O-ring.

Reassembly:

1. Clean all parts thoroughly before assembling.
2. Lightly lubricate (soapy water) the rubber cap on the ceramic seal (8) and push it into the adapter (7) using thumbs only. Make sure the smooth surface of the ceramic seat faces outward.

⚠ CAUTION Do not use petroleum-based cleaners or lubricants.

⚠ CAUTION Care must be taken not to contaminate the ceramic seal face.

NOTE: If the pump will remain out of service for longer than one week, the seal components must be installed dry (no lubrication).

3. Reassemble the motor (6) to the adapter. Align the tabs of the adapter plate with the slot at the bottom of the motor housing.

- Lubricate the rubber components of the rotating seal (9) (soapy water) and slip it on to the shaft with the 'carbon' ring towards the ceramic seat. Replace the impeller (6) and the diffuser (4).

⚠ CAUTION Care must be taken not to contaminate the ceramic seal face.

- Replace the impeller (4) and the shroud with fasteners. Lubricate and replace the O-ring.
- Replace the casing (2), making sure that O-ring is not damaged and is in place.
- Replace drain and fill plugs.
- Reconnect power.
- Prime the pump.

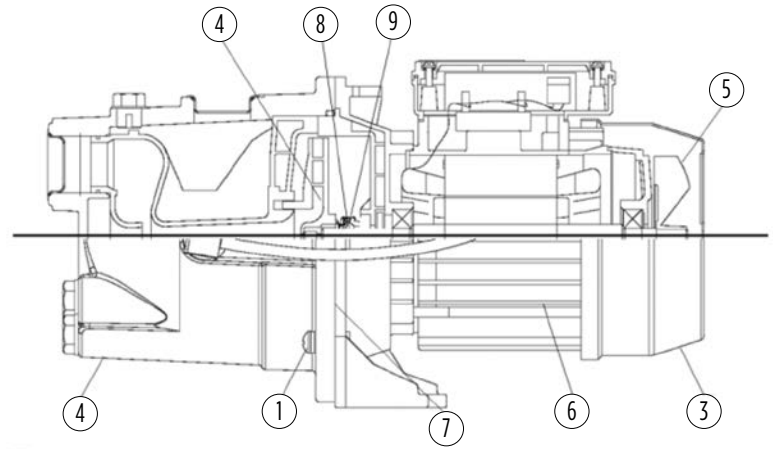


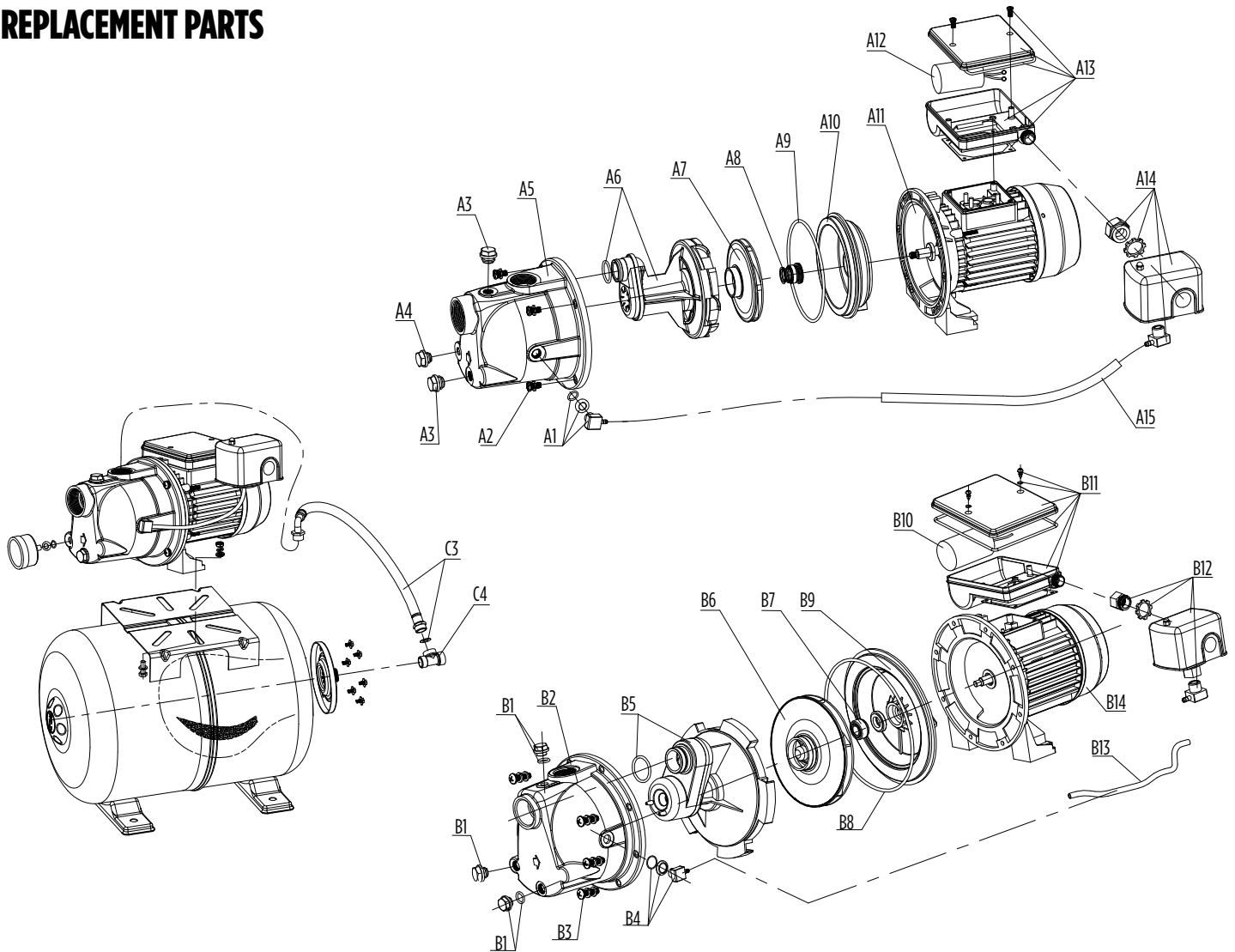
Figure 8

TROUBLESHOOTING

PROBLEM	POSSIBLE CAUSE
Motor will not start	No power to pressure switch due to blown fuses, open switches or loose connections.
	Pump pressure switch not closed.
Pump fails to deliver water	Pump not completely primed.
	Suction lift is too great.
	Foot valve is either not submerged, buried in the mud or plugged.
	Restrictor valve is fully closed.
Pump loses prime	Air leaks in suction line.
	Well draws down too far.
	Faulty foot valve.
For well point installations where pump is losing pressure or unable to prime	Have an electrician install a low pressure cut-off switch to shut down the pump prior to critical failure.
	Install or adjust a restrictor valve to offset available capacity.
	Add a larger tank (20 gallon or larger) for additional capacity.

PROBLEM	POSSIBLE CAUSE
Pump delivers water but not at rated capacity	Leaks in suction or discharge line.
	Foot valve, suction line, impeller or nozzle are partially plugged.
	Suction lift is greater than recommended.
	Improper impeller rotation or low speed.
	Venturi or diffuser is plugged.
	Motor is wired for improper voltage.
	Low line voltage at motor.
	Filtration cartridge (if used) needs changing or is not installed properly.
Pump starts and stops too often	Faulty air volume control.
	Air leaks in tank above the water level.
	Incorrect setting on pressure switch.
	Tank is water logged or incorrectly charged.
	Foot valve leaks or is stuck open.

REPLACEMENT PARTS



Contents	Item	Replacement Parts	Where Used
A5 & A10	305585001	Case/Seal Plate	RL-SWJ50 & RL-SWJ75
A2, A3, A4 & A9	305585002	Hardware Kit	RL-SWJ50 & RL-SWJ75
A6, A7 & A8	305585005	Overhaul Kit	RL-SWJ50
A6, A7 & A8	305585006	Overhaul Kit	RL-SWJ75
A7	305585008	Impeller Kit	RL-SWJ50
A7	305585009	Impeller Kit	RL-SWJ75
A8	305585011	Shaft Seal Kit	RL-SWJ50 & RL-SWJ75
A1, A14 & A15	305585012	Pressure Switch Kit	RL-SWJ50 & RL-SWJ75
B2 & B9	305585003	Case/Seal Plate	RL-SWJ100
B1, B3 & B8	305585004	Hardware Kit	RL-SWJ100
B5, B6 & B7	305585007	Overhaul Kit	RL-SWJ100
B6	305585010	Impeller Kit	RL-SWJ100
B7	305585011	Shaft Seal Kit	RL-SWJ100
B4, B12 & B13	305585012	Pressure Switch Kit	RL-SWJ100
C3, C4	305592001	Pump/Tank Hardware Kit	RL-SWJ50/RL6H

LIMITED WARRANTY

For warranty consideration, the Red Lion® Brand (hereafter “the Brand”) warrants that the products specified in this warranty are free from defects in material or workmanship of the Brand. During the time periods and subject to the terms and conditions hereinafter set forth, the Brand will repair or replace to the original user or consumer any portion of this product which proves defective due to materials or workmanship of the Brand. At all times the Brand shall have and possess the sole right and option to determine whether to repair or replace defective equipment, parts, or components. The Brand has the option to inspect any product returned under warranty to confirm that the warranty applies before repair or replacement under warranty is approved. This warranty sets forth the Brand’s sole obligation and purchaser’s exclusive remedy for defective product. Return defective product to the place of purchase for warranty consideration.

WARRANTY PERIOD - PRODUCTS: 24 months from date of purchase by the user (No warranty on brushes, impeller or cam on models with brush-type motors and/or flex-vane impellers). In the absence of suitable proof of the purchase date, the effective period of this warranty will begin on the product’s date of manufacture.

LABOR, ETC. COSTS: The Brand shall IN NO EVENT be responsible or liable for the cost of field labor or other charges incurred by any customer in removing and/or affixing any product, part or component thereof.

PRODUCT IMPROVEMENTS: The Brand reserves the right to change or improve its products or any portions thereof without being obligated to provide such a change or improvement for units sold and/or shipped prior to such change or improvement.

GENERAL TERMS AND CONDITIONS: This warranty shall not apply to damage due to acts of God, normal wear and tear, normal maintenance services and the parts used in connection with such service, lightning or conditions beyond the control of the Brand, nor shall it apply to products which, in the sole judgment of the Brand, have been subject to negligence, abuse, accident, misapplication, tampering, alteration; nor due to improper installation, operation, maintenance or storage; nor to excess of recommended maximums as set forth in the instructions.

Warranty will be VOID if any of the following conditions are found:

1. Product is used for purposes other than those for which it was designed and manufactured
2. Product not installed in accordance with applicable codes, ordinances and good trade practices
3. Product connected to voltage other than indicated on nameplate
4. Pump used to circulate anything other than fresh water at approximately room temperature
5. Pump allowed to operate dry (fluid supply cut off)
6. Sealed motor housing opened or product dismantled by customer

DISCLAIMER: Any oral statements about the product made by the seller, the Brand, the representatives or any other parties, do not constitute warranties, shall not be relied upon by the user, and are not part of the contract for sale. Seller’s and the Brand’s only obligation, and buyer’s only remedy, shall be the replacement and/or repair by the Brand of the product as described above. NEITHER SELLER NOR THE BRAND SHALL BE LIABLE FOR ANY INJURY, LOSS OR DAMAGE, DIRECT, INCIDENTAL OR CONSEQUENTIAL (INCLUDING, BUT NOT LIMITED TO, INCIDENTAL OR CONSEQUENTIAL DAMAGES FOR LOST PROFITS, LOST SALES, INJURY TO PERSON OR PROPERTY, OR ANY OTHER INCIDENTAL OR CONSEQUENTIAL LOSS), ARISING OUT OF THE USE OR THE INABILITY TO USE THE PRODUCT, AND THE USER AGREES THAT NO OTHER REMEDY SHALL BE AVAILABLE TO IT. Before using, the user shall determine the suitability of the product for his intended use, and user assumes all risk and liability whatsoever in connection therewith. THE WARRANTY AND REMEDY DESCRIBED IN THIS LIMITED WARRANTY IS AN EXCLUSIVE WARRANTY AND REMEDY AND IS IN LIEU OF ANY OTHER WARRANTY OR REMEDY, EXPRESSED OR IMPLIED, WHICH OTHER WARRANTIES AND REMEDIES ARE HEREBY EXPRESSLY EXCLUDED, INCLUDING BUT NOT LIMITED TO ANY IMPLIED WARRANTY OF MERCHANTABILITY OR FITNESS FOR A PARTICULAR PURPOSE, TO THE EXTENT EITHER APPLIES TO A PRODUCT SHALL BE LIMITED IN DURATION TO THE PERIODS OF THE EXPRESSED WARRANTIES GIVEN ABOVE. Some states and countries do not allow the exclusion or limitations on how long an implied warranty lasts or the exclusion or limitation of incidental or consequential damages, so the above exclusion or limitations may not apply to you. This warranty gives you specific legal rights, and you may also have other rights which vary from state to state and country to country.

**For technical assistance, parts, or repair, please
contact.... 1.888.956.0000 | www.RedLionProducts.com**

RED LION®

FR

FRANÇAIS

POMPE À JET POUR PUITS PEU PROFOND

Série de RL-SWJ

Manuel du propriétaire

**CETTE POMPE BITENSION EST CONFIGURÉE PAR DÉFAUT
POUR 230 V. CONSULTEZ LES DIRECTIVES POUR RÉGLER LA
TENSION D'ALIMENTATION POUR LA CONFIGURER POUR 115 V.**

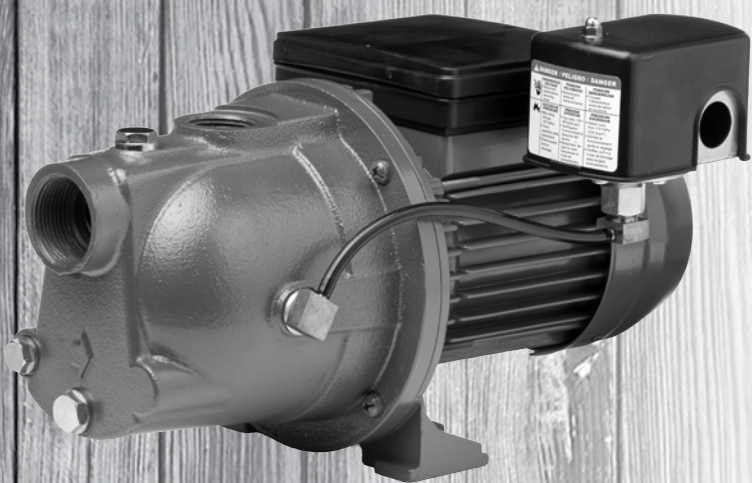


Table des matières


Avant de commencer	2
Liste de vérification pour l'installation	3
Introduction.....	4
Directives pour régler la tension d'alimentation	4
Matériaux et outils requis	5
Renseignements importants.....	5
Guide d'installation rapide	6
Instructions d'installation détaillées.....	7-8
Installations typiques.....	9
Installation de la pompe au réservoir.....	10
Directives de câblage	11
Amorçage de la pompe.....	12
Entretien	13-14
Guide de dépannage.....	14
Pièces de rechange.....	15
Garantie limitée	16


AVANT DE COMMENCER


Consultez et respectez toutes les directives de sécurité. Consultez les plaques signalétiques du produit pour obtenir des directives d'utilisation et des spécifications additionnelles.

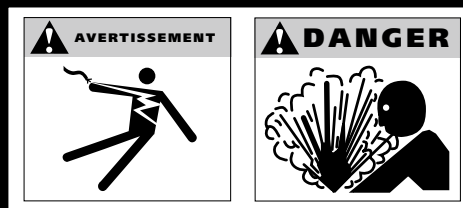
Ceci est le symbole d'alerte de sécurité. Lorsque vous voyez ce  symbole sur votre pompe ou dans ce manuel, recherchez l'un des mots-clés suivants et soyez attentif au risque de blessures ou dommages matériels s'ils sont ignorés :

 **DANGER** informe des dangers qui entraîneront des blessures graves, la mort ou des dommages matériels importants s'il est ignoré.

 **AVERTISSEMENT** informe des dangers qui peuvent entraîner des blessures graves, la mort ou des dommages matériels importants s'il est ignoré.

 **ATTENTION** informe des dangers qui entraîneront ou risquent d'entraîner des blessures mineures ou des dommages matériels importants s'il est ignoré.

 **REMARQUE** indique des instructions spéciales importantes, qui ne sont cependant pas liées à des dangers. Consultez et respectez attentivement toutes les directives de sécurité qui figurent dans ce manuel et sur la pompe.



AVANT D'INSTALLER OU D'UTILISER CETTE POMPE, PRIÈRE DE LIRE LE PRÉSENT GUIDE ET SUIVRE TOUTES LES RÈGLES DE SÉCURITÉ ET INSTRUCTIONS D'UTILISATION.

 **AVERTISSEMENT** LIRE ET RESPECTER TOUTES LES INSTRUCTIONS DE SÉCURITÉ.

 **AVERTISSEMENT** **PRÉCAUTIONS ÉLECTRIQUES** - Tous câblage, connexions électriques et mise à la terre des systèmes doivent se conformer au Code National d'Electricité (NEC) et aux codes et ordonnances locaux. Employez un électricien autorisé.

 **AVERTISSEMENT** **CE MOTEUR EST UN MOTEUR BITENSION (115/230 V)** - Les instructions pour changer la tension se trouvent dans ce manuel.

 **REMARQUE** La tension du moteur est d'usine définie d'avance à 230 V.

 **AVERTISSEMENT** **RISQUE DE CHOC ÉLECTRIQUE**

- Faire appel à un électricien pour l'alimentation électrique du moteur.
- Nous recommandons qu'un circuit distinct soit installé sur le panneau de distribution électrique de la maison et protégé par un fusible ou un disjoncteur.
- Un circuit protégé par un disjoncteur différentiel de fuite à la terre (DDFT) est également recommandé lorsqu'un appareil électrique est utilisé à proximité de l'eau.
- Le Tableau 2 indique les câbles recommandés.
- Le moteur doit être mis à la terre et le couvercle des bornes correctement installé afin de réduire les risques d'électrocution.
- Garder la zone de travail aussi sèche que possible.
- Toujours couper l'alimentation avant de procéder à l'entretien.
- Cette pompe n'est pas conçue pour être utilisée dans une piscine.

 **AVERTISSEMENT** **SOUPAPE DE SÛRETÉ DE 75 PSI RECOMMANDÉE.**

Cette pompe peut produire une pression élevée. L'installation d'une soupape de sûreté de 75 psi est fortement recommandée.

LISTE DE VÉRIFICATION POUR L'INSTALLATION

Cette liste de vérification vous est fournie à des fins de commodité. Si l'une des étapes a été oubliée, assurez-vous de couper préalablement l'alimentation provenant du disjoncteur et évacuez complètement la pression du réseau d'eau avant de poursuivre votre travail sur le système.

⚠ AVERTISSEMENT SOUPAPE DE SÛRETÉ DE 75 PSI RECOMMANDÉE

Cette pompe peut produire une pression élevée. L'installation d'une soupape de sûreté de 75 psi est fortement recommandée.

No de modèle : _____

No de série : _____

Date d'achat : _____

Point de vente où l'appareil a été acheté : _____

VEUILLEZ CONSERVER CE MANUEL POUR RÉFÉRENCE ULTÉRIEURE.

✓	Description
	Le réglage de voltage sur la pompe a été vérifié et effectué de façon à correspondre au voltage du disjoncteur.
	Le clapet de pied (pour les puits forés à la sondeuse) ou le clapet anti-retour (pour les puits tubulaires) ont été installés.
	Les câblages et raccordements électriques ont été effectués par un électricien agréé.
	La prise de pompe est connectée à la tuyauterie dans le puits.
	Le joint d'étanchéité de puits est en place.
	Le tuyau de refoulement de la pompe est connecté au réservoir et au conduit de service.
	La pression du réservoir a été vérifiée et est fixée à 28 psi.
	Tous les joints ont été scellés à l'aide d'un ciment pour PVC ou d'un ruban PTFE, ou par l'application de chaleur et l'installation de colliers de serrage.
	Tous les raccordements ont été inspectés afin de s'assurer qu'ils ne comportent pas de fuites.
	Une soupape de sûreté a été installée.
	Tous les autres accessoires requis ont été installés : robinet de vidange, soupape d'arrêt, manomètre (facultatif).
	Le disjoncteur a été activé.
	La pompe a été amorcée.
	Le numéro de modèle et le numéro de série ont été consignés dans ce manuel.
	Le reçu de la pompe a été agrafé à ce manuel.

INTRODUCTION

La pompe à jet pour puits peu profond est idéale pour l'alimentation en eau douce des maisons en milieu rural, des fermes et des chalets. Cette pompe est adéquate pour les installations où la distance verticale de la pompe à l'eau ne dépasse pas 7,6 m (25 pi), incluant la hauteur de rabattement (moins en haute altitude). Pour les installations déportées, la perte résultant de la friction dans le tuyau d'aspiration doit entrer en ligne de compte (consulter le **Tableau 2, Diagramme de perte de charge**).

Cette feuille d'instructions vous fournit les informations nécessaires pour entretenir et faire fonctionner votre produit. Conserver ces directives afin de pouvoir les consulter plus tard.

Le produit que vous avez acheté a été soigneusement fabriqué avec des matériaux de la plus haute qualité et a été conçu pour durer longtemps et offrir un service fiable. Les produits sont soigneusement testés, inspectés et emballés afin d'en assurer la sécurité de fonctionnement et une livraison en bonne condition. Vérifier attentivement le produit afin de vous assurer qu'il n'a pas été endommagé pendant le transport. S'il est endommagé, veuillez contacter l'entreprise qui vous l'a vendu. Si une réparation ou un remplacement est requis, elle vous prêtera assistance.

LIRE ATTENTIVEMENT CES DIRECTIVES AVANT DE PROCÉDER À L'INSTALLATION, À L'UTILISATION OU À L'ENTRETIEN DU PRODUIT. SE FAMILIARISER AVEC LES APPLICATIONS, LES LIMITES ET LES RISQUES POTENTIELS DU PRODUIT. ASSURER SA PROPRE PROTECTION ET CELLE DES AUTRES EN SUIVANT TOUTES LES RÈGLES DE SÉCURITÉ. LE NON-RESPECT DE CES DIRECTIVES PEUT ENTRAÎNER DES BLESSURES ET/OU DES DOMMAGES MATÉRIELS !

DIRECTIVES POUR RÉGLER LA TENSION D'ALIMENTATION

Pour modifier la tension d'alimentation de la pompe par rapport à la tension réglée en usine à 230 V, un électricien qualifié devrait :

1. Couper l'alimentation électrique de la pompe
2. Retirer le couvercle de boîtier de connexions du moteur
3. Faire glisser le commutateur de tension de 230 V à 115 V, comme illustré à la Figure 2
4. Remonter le couvercle de boîtier de connexions

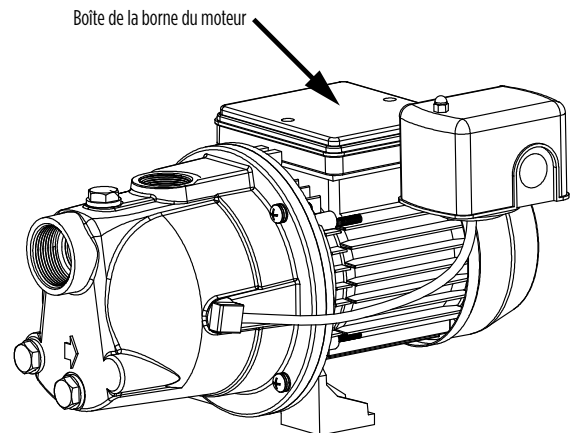


Figure 1

L'interrupteur de moteur est réglé à 230 V :



L'interrupteur de moteur est réglé à 115 V :



Placez la tournevis à l'endroit indiqué et Placez la tournevis à l'endroit indiqué et faites-le glisser faire la gauche ou droite.

Figure 2 - COMMUTATEUR DE TENSION

MATÉRIAUX ET OUTILS REQUIS

MATÉRIAUX REQUIS

Raccords de tuyaux

- Un rouleau de ruban PTFE
- Un contenant d'apprêt pour tuyaux en PVC
- Un contenant de ciment pour PVC
- Colliers de serrage en acier (facultatifs)

Puits forés à la sondeuse

(les matériaux pour les puits tubulaires figurent sur une liste distincte)

- Un clapet de pied de 1¼ po (31,75 mm) [non requis pour les puits tubulaires]
- Un tuyau de PVC de 1¼ po (31,75 mm) [pour raccorder au clapet de pied; uniquement requis pour les puits peu profonds]
- Un tuyau de PVC rigide de 1¼ po (31,75 mm) et raccords, pour relier le fond du puits à la pompe
- Un adaptateur mâle de 1¼ po (31,75 mm) en PVC (pour l'ouverture de refoulement)
- Joint d'étanchéité de puits avec tube d'aération
- Un coude de 90° en PVC de 1¼ po (31,75 mm) [pour raccorder la tuyauterie du puits à la pompe]
- Un adaptateur mâle galvanisé de 1¼ po (31,75 mm) [pour l'ouverture d'aspiration]

Puits tubulaires

- Pointe filtrante (plusieurs pointes filtrantes pourraient être requises)
- Tuyau en acier galvanisé de 1¼ po (31,75 mm) du fond du puits jusqu'à la bordure du puits, plus 1 pi (30 cm) [si plus d'une pointe filtrante est requise, des tuyaux et des coudes additionnels seront requis afin de relier les pointes filtrantes entre elles]
- Un coude de 90° en acier galvanisé de 1¼ po (31,75 mm)
- Un mamelon en acier galvanisé de 1¼ po (31,75 mm)
- Un clapet anti-retour de 1¼ po (31,75 mm)
- Un adaptateur mâle en PVC de 1¼ po (31,75 mm)
- Un adaptateur mâle en acier galvanisé de 1¼ po (31,75 mm)
- Un tuyau de PVC de 1¼ po (31,75 mm), mesuré depuis l'adaptateur connecté à la pompe jusqu'au clapet anti-retour
- Soupape d'étranglement (raccordée après le coude sur le refoulement de la pompe)
- Interrupteur de coupure de basse pression (recommandé)

Installation de la pompe au réservoir :

- Un adaptateur mâle en PVC (fixé au réservoir) – les dimensions des raccords dépendent du type de système raccordé au réservoir
- Un T de réservoir – la taille de celui-ci devrait être la même que celle de l'adaptateur mentionné ci-dessus
- Un coude en PVC de 1 po (2,5 cm)
- Tuyau en PVC pour raccorder le T de réservoir au coude fixé au refoulement de la pompe et rejoindre le conduit de service
- Soupape de sûreté haute pression (fixée au T de réservoir)
- Un robinet de vidange de ½ po (1,25 cm) [raccordé au T de réservoir]

OUTILS REQUIS

- Lime ronde
- Collier de serrage
- Clé à tube ou clé anglaise
- Tournevis à lame plate
- Tournevis cruciforme
- Scie à métaux ou scie alternative
- Pistolet thermique (facultatif)

RENSEIGNEMENTS IMPORTANTS

ASSEMBLAGE DES RACCORDS DE TUYAUTERIE

Suivez les directives ci-dessous pour tous les raccords, sauf mention contraire.

RACCORDS DE TUYAUTERIE EN PVC

Lorsque vous raccordez deux composants en PVC (par exemple, lorsque vous raccordez un adaptateur à un tuyau en PVC), utilisez toujours un apprêt à PVC pour nettoyer les deux extrémités : appliquez l'apprêt à l'intérieur de l'un des raccords et à l'extérieur de l'autre afin que les deux surfaces apprêtées soient en contact l'une avec l'autre. Sélectionnez la méthode 1, 2 ou 3 pour raccorder des pièces en PVC. Lorsque vous serrez des raccords en PVC, assurez-vous de serrer fermement et non de manière excessive, car ceux-ci risqueraient de se briser.

Méthode 1 – Ruban PTFE : Enroulez fermement un ruban PTFE autour des filetages mâles. Commencez à recouvrir les filetages depuis l'extrémité du tuyau, en maintenant le ruban sous tension. Ne laissez pas le ruban pendre au-dessus de la bordure de l'adaptateur. Enroulez le ruban dans le sens des filetages, en commençant par l'extrémité et en recouvrant toute la surface de l'adaptateur. Faites chevaucher chaque couche de ruban à environ 70 %.

Méthode 2 – Ciment pour PVC : Appliquez du ciment pour PVC aux extrémités que vous venez tout juste d'apprêter et raccordez les deux pièces. Effectuez un mouvement de rotation vers la droite et vers la gauche afin de mieux introduire le ciment entre les pièces.

Méthode 3 – Chaleur et colliers de serrage : Avant de joindre les deux raccords, ajoutez deux colliers de serrage en acier au raccord de plus grand diamètre. Chauffez le plus gros raccord à l'aide d'un pistolet thermique (assurez-vous de suivre toutes les instructions de sûreté fournies dans le manuel d'utilisation du pistolet thermique). Cela diminuera l'ouverture du raccord et le liera au plus petit. Une fois le raccord refroidi, serrez les colliers à l'aide d'un tournevis.

RACCORDS DE TUYAUTERIE EN MÉTAL

Recouvrez les filetages à l'aide de ruban PTFE ou de pâte lubrifiante.

VÉRIFIEZ L'ÉTANCHÉITÉ DE TOUS LES RACCORDEMENTS. MÊME UN ORIFICE DE LA TAILLE D'UN TROU D'ÉPINGLE POURRAIT ENTRAVER LE BON FONCTIONNEMENT DE LA POMPE.

TUYAU D'ASPIRATION ET DE PRESSION

Il est recommandé de n'utiliser qu'un tuyau ou un boyau neuf de 1¼ po (31,75 mm). Si la pompe se trouve à une certaine distance du point d'eau, il faudrait accroître le diamètre de la conduite et se servir d'un tuyau de 1½ po (38,1 mm). Les sections horizontales de tuyauterie seront graduellement inclinées vers le haut, depuis la source d'eau jusqu'à la pompe, pour éviter la formation de poches d'air dans la canalisation. Un lubrifiant de filetage doit être utilisé sur tous les joints du tuyau et les connexions doivent être bien serrées. **Un clapet de pied ou une soupape de retenue doit être installé et vérifié** pour détecter toute fuite qui empêcherait le bon fonctionnement du système. Disposer le clapet de pied de façon à ce qu'il soit immergé en tout temps. Si une pointe filtrante est utilisée, installer un clapet de retenue près du tuyau d'aspiration de la pompe au lieu de clapet de pied (consultez la section intitulée « **Installation typiques** », Figure 5). **Toutes les installations doivent avoir un clapet de pied ou une soupape de retenue dans le tuyau d'aspiration.**

GUIDE D'INSTALLATION RAPIDE (Remplacement d'une pompe existante)

Les directives fournies dans ce Guide d'installation rapide présument que la pompe actuelle sera retirée de la plomberie.

Les **Instructions d'installation détaillées** fournissent de plus amples détails.

⚠ AVERTISSEMENT NE DÉMARREZ PAS LA POMPE AVANT DE L'AMORCER; LE JOINT D'ÉTANCHÉITÉ ET L'IMPULSEUR POURRAIENT ÊTRE ENDOMMAGÉS.

1. Assurez-vous que l'alimentation a été coupée au niveau du disjoncteur avant d'entreprendre toute opération.
2. **Cette pompe est une pompe bitension (115/230 V) ! Inspectez le voltage des câbles sur la pompe et assurez-vous qu'il correspond au voltage du disjoncteur avant de poursuivre l'installation** (consultez les **Directives pour régler la tension d'alimentation**).
3. Relâchez complètement la pression du réseau d'eau avant de poursuivre votre travail sur celui-ci. Ouvrez le robinet le plus près du réservoir et laissez l'eau s'écouler jusqu'à ce que le réservoir soit vide.
4. Déconnectez le câblage de l'interrupteur de pression à la source d'électricité.
5. À l'aide d'une scie à métaux ou d'une scie alternative, coupez tous les tubes en PVC le plus près possible de l'ancienne pompe, aux ouvertures d'aspiration et de refoulement. Assurez-vous que les tuyaux du puits et du réservoir sont propres et exempts de particules de tubes ou de pièces, car celles-ci pourraient s'introduire dans la pompe et endommager l'impulseur.
6. Procédez à la mise en place de la nouvelle pompe.
7. À l'aide de ruban PTFE ou de pâte lubrifiante, scellez les filetages à l'ouverture d'aspiration de la pompe et insérez un adaptateur mâle en acier galvanisé de 1/4 po dans l'ouverture d'aspiration. Serrez fermement, mais non de façon excessive, car les raccords pourraient se fissurer.
8. Raccordez le tuyau en PVC de 1/4 po du puits à l'adaptateur mâle (vous pourriez devoir ajouter des raccords additionnels). Vérifiez l'étanchéité de tous les raccords. **Même un orifice de la taille d'un trou d'épingle pourrait entraver le bon fonctionnement de la pompe.**
9. À l'aide de ruban PTFE ou de pâte lubrifiante, scellez les filetages à l'ouverture de refoulement de la pompe et insérez un adaptateur mâle de 1 po en PVC dans l'ouverture de refoulement. Serrez fermement, mais non de façon excessive, car les raccords pourraient se fissurer.
10. Raccordez le tuyau en PVC de 1 po du réservoir vers l'adaptateur mâle en PVC de 1 po (vous pourriez devoir ajouter des raccords additionnels). **Vérifiez l'étanchéité de tous les raccords. Même un orifice de la taille d'un trou d'épingle pourrait entraver le bon fonctionnement de la pompe.**
11. Le manomètre n'est pas fourni de la pompe. Il doit être installé dans le trou de 1/8 po NPT, placé sur la surface de devant du corps de la pompe, de l'autre côté où est placé le manostat (consultez la section intitulée « **Installations typiques** », Figures 3, 4, 5, ou 6).
12. Vous devriez faire appel à un électricien pour effectuer le câblage et raccorder la pompe au circuit électrique (consultez les **Directives de câblage**).
13. Amorcez la pompe (consultez les **Directives d'amorçage**).
14. À l'aide de la **liste de vérification pour l'installation** fournie dans ce manuel, vérifiez que toutes les étapes ont été effectuées.

INSTRUCTIONS D'INSTALLATION DÉTAILLÉES

⚠ AVERTISSEMENT NE DÉMARREZ PAS LA POMPE AVANT DE L'AMORCER;
LE JOINT D'ÉTANCHÉITÉ ET L'IMPULSEUR POURRAIENT ÊTRE ENDOMMAGÉS.

Avant d'entreprendre toute opération, vérifiez que l'alimentation a été coupée au niveau du disjoncteur principal. Si cette pompe remplace une pompe existante, évacuez complètement la pression du réseau d'eau avant de travailler sur celui-ci. Ouvrez le robinet le plus près du réservoir et laissez l'eau s'écouler jusqu'à ce que le réservoir soit vide.

APPLICATION DANS UN PUIS PROFOND

(pour profondeurs de pompage de jusqu'à 25 pi [7,6 m])

Pour les installations dans des puits peu profonds, un seul tuyau est utilisé pour relier la pompe à la source d'eau. Cette pompe peut être utilisée pour les puits forés à la sondeuse (voir Figures 3, 4, ou 6) ou les puits tubulaires (voir Figure 5). Les puits forés à la sondeuse sont des trous creusés dans le sol par des foreurs de puits professionnels à l'aide de gros appareils de forage. Les puits tubulaires (également appelés puits à pointe filtrante) utilisent des pointes filtrantes, soient de longs tubes pointus munis d'un filtre permettant à l'eau de pénétrer à l'intérieur du tuyau, tout en retenant le sable et les sédiments. Le niveau d'eau dans un puits foré à la sondeuse est relativement élevé ou près du niveau du sol (maximum de 30 pi [9,1 m]). Poursuivez le processus approprié d'installation pour puits peu profonds.

PUITS FORÉS À LA SONDEUSE (avec clapet de pied)

1. Mesurez la distance qui sépare le fond et la partie supérieure du puits, et soustrayez 5 pi (1,5 m). Cela correspond à la longueur du tuyau et des raccords en PVC rigide de 1/4 po dont vous aurez besoin depuis le fond du puits jusqu'au premier coude. Coupez le tuyau et utilisez une lime ronde pour lisser l'arête de coupe. Assurez-vous que le tuyau est propre et exempt de particules de tubes ou de pièces, car celles-ci pourraient s'introduire dans la pompe et endommager l'impulseur. La partie restante du tuyau sera utilisée pour raccorder la pompe au puits.
2. Fixez l'adaptateur mâle en PVC de 1/4 po à l'une des extrémités du tuyau en PVC rigide et raccordez l'adaptateur au clapet de pied. Vérifiez l'étanchéité de tous les raccords. **Même un orifice de la taille d'un trou d'épingle pourrait entraver le bon fonctionnement de la pompe.**
3. Serrez fermement l'extrémité coupée du tuyau à l'aide d'un collier de serrage, à 1 pi (30 cm) de l'extrémité supérieure du tuyau. Cela empêchera que le tuyau tombe au fond du puits. Descendez en premier lieu cette section jusqu'au clapet de pied du puits.
4. Insérez le joint d'étanchéité à l'extrémité dépassant du puits maintenue en place à l'aide du collier de serrage et faites dépasser le tuyau d'environ 1 pi (30 cm) au-dessus du joint d'étanchéité. Si vous avez mesuré toutes les pièces correctement,

le clapet de pied sera suspendu à 4 pi (1,2 m) du fond du puits. Cela permettra d'éviter que le sable et les sédiments ne s'introduisent dans le système. Installez un tube d'aération sur le bouchon du puits.

5. Raccordez solidement l'extrémité du tuyau à un coude de 90° en PVC de 1/4 po.
6. Installez la pompe dans un endroit propre, sec, ventilé et fournissant un espace adéquat pour l'entretien ainsi qu'une protection en cas de gel. La pompe devrait être boulonnée à une fondation appropriée, préférablement en béton, et disposer d'un drainage adéquat. Le fait d'installer la pompe le plus près possible de la source d'eau permet de réduire la friction dans la tuyauterie d'aspiration et d'offrir un rendement optimal.
7. Le manomètre n'est pas fourni de la pompe. Il doit être installé dans le trou de 1/8 po NPT, placé sur la surface de devant du corps de la pompe, de l'autre côté où est placé le manostat (consultez la section intitulée « **Installations typiques** », Figures 3, 4, ou 6).
8. Installez un adaptateur mâle en acier galvanisé de 1/4 po dans l'entrée d'aspiration. Ne serrez pas de façon excessive, car les raccords pourraient se fissurer.
9. Utilisez le tube de PVC restant de l'étape (4). Lissez l'arête de coupe à l'aide d'une lime ronde. Assurez-vous que le tuyau est propre et exempt de particules de tubes ou de pièces, car celles-ci pourraient s'introduire dans la pompe et endommager l'impulseur. Fixez une extrémité du tuyau à l'adaptateur installé à l'entrée d'aspiration. Assurez-vous qu'aucune fuite n'est présente. **Tous les raccords et joints doivent être étanches à l'air. Une petite fuite de la taille d'un trou d'épingle pourrait entraver le bon fonctionnement de la pompe.**
10. Suivez les **directives d'installation de la pompe au réservoir**.
11. À l'aide de la **liste de vérification d'installation** fournie dans ce manuel, vérifiez que toutes les étapes ont été effectuées.

INSTRUCTIONS D'INSTALLATION DÉTAILLÉES

PUITS TUBULAIRE (avec clapet anti-retour et pointe filtrante)

1. Enfoncez la pointe filtrante dans le sol en suivant les instructions qui l'accompagnent. Celle-ci doit être enfoncée assez profondément pour traverser la formation aquifère sous le niveau phréatique, mais cette profondeur ne devrait pas dépasser 25 pi (7,6 m). Une seule pointe filtrante pourrait ne pas fournir la quantité d'eau requise. Il est donc parfois nécessaire d'utiliser plus d'une pointe filtrante afin d'accroître l'alimentation en eau. Deux pointes filtrantes distinctes peuvent être reliées à l'aide de tuyaux additionnels et d'un joint transversal (voir Figure 5).
2. Faites en sorte que le tuyau dépasse du sol d'au moins 1 pi (30 cm). Le tuyau élévateur devrait être un tuyau en acier galvanisé composé de sections d'environ 5 pi (1,5 m). Il sera ainsi plus facile à manipuler. Utilisez suffisamment de tuyaux et d'accouplements de transmission pour atteindre l'eau et faire dépasser le tuyau du sol de 1 pi (30 cm).
3. Fixez un coude en acier galvanisé de 1/4 po au tuyau dépassant du sol.
4. Fixez un mamelon en acier galvanisé de 1/4 po au coude en acier galvanisé de 1/4 po.
5. Fixez un clapet anti-retour de 1/4 po au mamelon en acier galvanisé de 1/4 po.
6. Fixez un adaptateur mâle en PVC de 1/4 po au clapet anti-retour de 1/4 po.
7. Installez la pompe dans un endroit propre, sec, ventilé et fournissant un espace adéquat pour l'entretien ainsi qu'une protection en cas de gel. La pompe devrait être boulonnée à une fondation appropriée, préférablement en béton, et disposer d'un drainage adéquat. Le fait d'installer la pompe le plus près possible de la source d'eau permet de réduire la friction dans la tuyauterie d'aspiration et d'offrir un rendement optimal.
8. Le manomètre n'est pas fourni de la pompe. Il doit être installé dans le trou de 1/8 po NPT, placé sur la surface de devant du corps de la pompe, de l'autre côté où est placé le manostat (consultez la section intitulée « **Installations typiques** », Figure 5).
9. Installez un adaptateur mâle en acier galvanisé de 1/4 po dans l'entrée d'aspiration de la pompe. Ne serrez pas de façon excessive, car les raccordements pourraient se fissurer. Mesurez la distance entre cet adaptateur et le clapet anti-retour installé à l'étape (6). Coupez un tuyau en PVC de 1/4 po de cette longueur. À l'aide d'une lime ronde, lissez l'arête de coupe. Assurez-vous que le tuyau est propre et exempt de copeaux de tubes ou de toute pièce quelconque, car ceux-ci pourraient s'introduire dans la pompe et endommager l'impulseur. Fixez le tuyau de 1/4 po en PVC à l'adaptateur et ensuite au clapet anti-retour. Assurez-vous qu'aucune fuite n'est présente. **Tous les raccordements et joints doivent être étanches à l'air. Un orifice de la taille d'un trou d'épingle pourrait entraver le bon fonctionnement de la pompe.**
10. Les niveaux d'eau des puits tubulaires peuvent parfois être trop bas pour permettre le pompage. Afin de prévenir des dommages à la pompe, demandez à un électricien de remplacer l'interrupteur de pression par un interrupteur de coupure de basse pression.
11. Suivez les **directives d'installation de la pompe au réservoir**.
12. À l'aide de la **liste de vérification d'installation** fournie dans ce manuel, vérifiez que toutes les étapes ont été effectuées.

INSTALLATIONS TYPIQUES

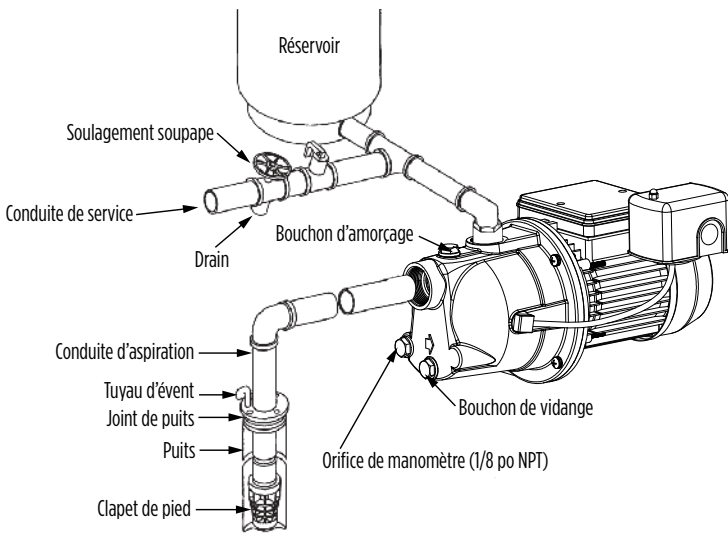


Figure 3 - Puits peu profond
(avec clapet de pied)

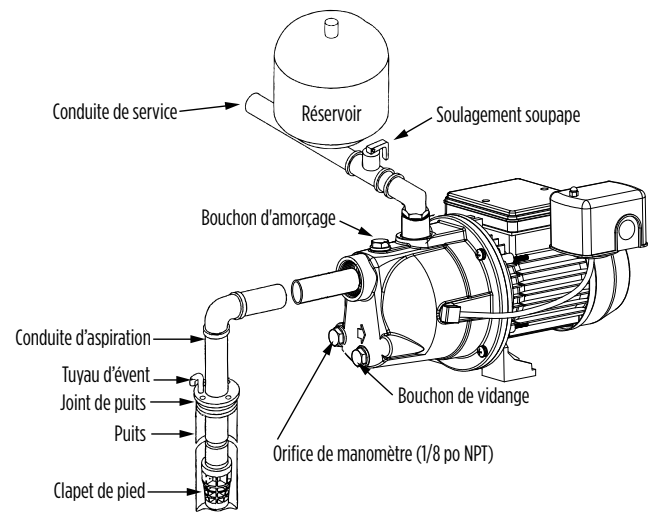


Figure 4 - Puits peu profond, réservoir en ligne
(avec clapet de pied)

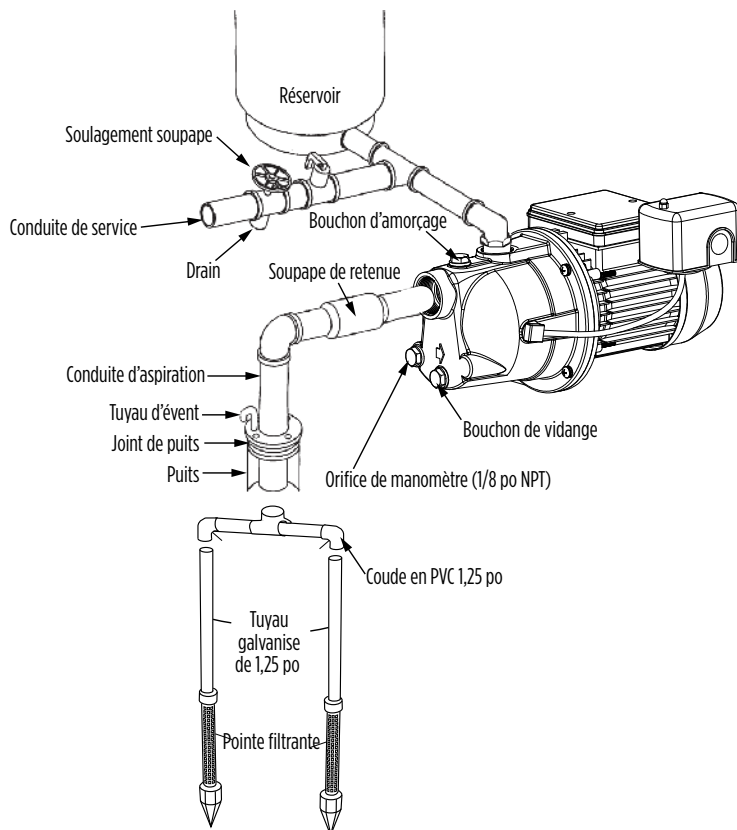


Figure 5 - Puits peu profond
(avec clapet anti-retour en ligne)

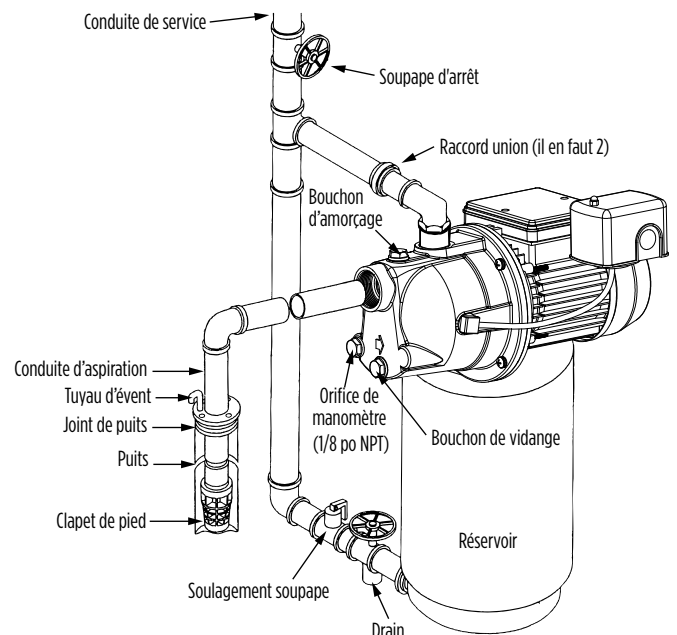


Figure 6 - Puits peu profond, système de réservoir monté
(avec clapet de pied)

INSTALLATION DE LA POMPE AU RÉSERVOIR

Red Lion® recommande l'utilisation de réservoirs préchargés à diaphragme. Les instructions pour raccorder la pompe à un réservoir à diaphragme sont fournies à des fins de commodité. Si un réservoir sans diaphragme est utilisé dans le système de pression, un régulateur de volume d'air doit être utilisé afin de maintenir un coussin d'air dans le réservoir de pression. Sans ce régulateur, l'air présent dans le réservoir sera graduellement absorbé par l'eau, ce qui engorgera la pompe et provoquera un fonctionnement en courts cycles (mise en marche et arrêts fréquents). Cela a pour effet de diminuer considérablement la durée de vie du moteur. Un régulateur de volume d'air fournira un ratio air-eau adéquat et préviendra l'engorgement d'eau. Consultez le manuel du réservoir de pression pour obtenir des instructions.

REMARQUE : Un clapet anti-retour ne doit jamais être installé entre la pompe et le réservoir.

Avant d'entreprendre toute opération, vérifiez que l'alimentation a été coupée au niveau du disjoncteur principal. Si cette pompe remplace une pompe existante, évacuez complètement la pression du réseau d'eau avant de travailler sur celui-ci. Ouvrez le robinet le plus près du réservoir et laissez l'eau s'écouler jusqu'à ce que le réservoir soit vide.

⚠ AVERTISSEMENT **SOUPAPE DE SÛRETÉ DE 75 PSI RECOMMANDÉE**

Cette pompe peut produire une pression élevée. L'installation d'une soupape de sûreté de 75 psi est fortement recommandée.

1. Le tuyau de refoulement entre la pompe et le réservoir devrait être aussi court et direct que possible, et devrait être de la même dimension que la sortie de refoulement. Vous devriez déjà avoir fixé un adaptateur en PVC de 1 po à l'ouverture de refoulement de la pompe.
2. Fixez un coude en PVC de 90° à l'adaptateur.
3. Fixez un adaptateur mâle en PVC au réservoir. Les dimensions des raccords de réservoir dépendent du type de système raccordé au réservoir.
4. Installez un T de réservoir de 1 po en laiton à l'adaptateur de réservoir.
5. Mesurez la distance entre le T de réservoir et le coude (ou la soupape d'étranglement) sur le conduit de refoulement de la pompe, et installez un tuyau en PVC de 1 po de cette dimension.
6. Fixez au T en laiton les accessoires comme la soupape d'étranglement (recommandée pour les installations avec pointe filtrante), la soupape de sûreté haute pression (recommandée pour tous les types d'installations) et le robinet de vidange. Assurez-vous que la soupape de sûreté haute pression est située à proximité du refoulement de la pompe, à un emplacement disposant d'un drainage adéquat. Assurez-vous d'orienter la soupape de façon à ce que les éclaboussures d'eau ne soient pas orientées vers la pompe ou tout autre appareil électrique.
7. Ajoutez des tuyauteries et des raccords pour connecter le tout au conduit de service. La taille du conduit de service est entièrement déterminée par la quantité d'eau requise et la longueur du tuyau.

Le tuyau choisi devrait être suffisamment grand pour que la perte de friction (déterminée au **Tableau 1, Diagramme de perte de charge**) ne dépasse pas 20 pi (6 m) de charge.

8. Retirez le bouchon de PVC du reniflard sur le réservoir.
9. Vérifiez la précharge du réservoir à l'aide d'un manomètre pour pneus. Celle-ci devrait correspondre à 2 psi de moins que la pression de coupure (la pression à laquelle la pompe s'enclenchera). Dans le cas de cette pompe, ce réglage est fixé à 30 psi ; par conséquent, la pression de précharge devrait être fixée à 28 psi. Utilisez une pompe pour pneus ou un compresseur à air pour charger le réservoir, au besoin.
10. Remplacez et serrez le bouchon de PVC sur le reniflard.
11. Consultez la section intitulée « **Installations typiques** » pour obtenir des exemples de configurations de pompes ou de réservoirs différentes.
12. À l'aide de la **liste de vérification d'installation** fournie dans ce manuel, vérifiez que toutes les étapes ont été effectuées.

Tableau 1 - DIAGRAMME DE PERTE DE CHARGE DES CONDUITES DE PLASTIQUE*

Perte de hauteur totale de charge en pieds, causée par le frottement (100 pieds de conduite.)

Nominal Pipe Size U.S. GPM	3/4 po	1 po	1-1/4 po	1-1/2 po	2 po
4	3.75	1.15	0.30	0.14	–
5	5.66	1.75	0.46	0.22	–
6	7.95	2.45	0.65	0.31	–
7	10.60	3.25	0.86	0.41	–
8	13.50	4.16	1.10	0.52	–
9	16.80	5.17	1.35	0.65	–
10	20.40	6.31	1.67	0.79	0.23
11	24.40	7.58	1.98	0.95	0.27
12	28.60	8.85	2.33	1.10	0.32
14	38.00	11.80	3.10	1.46	0.43
16	48.60	15.10	3.96	1.87	0.55
18	60.50	18.70	4.93	2.33	0.69
20	73.50	22.80	6.00	2.83	0.84

Perte de hauteur totale de charge en mètres, causée par le frottement (par 100 mètres de conduite.)

Nominal Pipe Size L/Min.	20 mm	25 mm	32 mm	40 mm	50 mm
15	3.7	1.15	0.30	0.13	–
20	5.3	1.64	0.43	0.19	–
25	7.1	2.18	0.56	0.27	–
30	13.5	4.13	1.08	0.49	–
35	16.3	5.00	1.31	0.61	–
40	23.5	7.30	1.90	0.88	0.25
45	28.3	8.74	2.31	1.07	0.29
50	34.2	10.60	2.79	1.32	0.38
55	40.7	12.60	3.32	1.56	0.46
60	48.1	14.90	3.92	1.85	0.54
65	55.7	17.30	4.45	2.15	0.63
70	63.8	19.70	5.20	2.46	0.73
75	72.2	22.40	5.89	2.78	0.83

*Dans le cas de conduites d'acier galvanisé, doublez les chiffres ci-dessous.

DIRECTIVES DE CÂBLAGE

⚠️ AVERTISSEMENT PRÉCAUTIONS ÉLECTRIQUES

Tous câblage, connexions électriques et mise à la terre des systèmes doivent se conformer au Code National d'Electricité (NEC) et aux codes et ordonnances locaux. Employez un électricien autorisé.

⚠️ AVERTISSEMENT RISQUE DE CHOC ÉLECTRIQUE

Avant d'entretenir ou de réparer n'importe quel appareil à moteur, vous devez couper le courant au panneau électrique principal et déconnecter le moteur et les accessoires. Durant ce genre de travaux, il faut toujours travailler prudemment.

CÂBLAGE

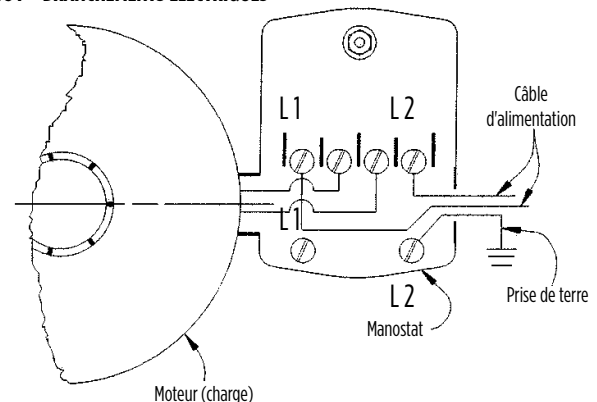
Il est recommandé qu'un électricien effectue le câblage et le raccord du service électrique à la pompe. L'interrupteur de pression est branché au moteur en usine, et la tension de branchement du moteur est indiquée sur le dispositif de changement de tension, celui-ci se trouvant sous le couvercle d'accès au câblage situé à l'arrière de la pompe. Veiller à ce que cette tension soit la même que celle du courant d'alimentation. Consultez le couvercle d'accès au câblage ou les instructions dans ce manuel pour prendre connaissance des instructions relatives au changement de tension. Les lignes de courant de secteur seront connectées aux bornes du manostat marquées "LINE" (secteur) (Voir Figure 7). Nous vous recommandons également d'utiliser un circuit indépendant et un câble d'alimentation reliant directement le panneau de distribution à la pompe. Un disjoncteur de fuite à la terre (DDFT) pour protéger le circuit devrait être utilisé avec tout appareil électrique fonctionnant à proximité de l'eau. Installez un interrupteur de déconnexion protégé par fusible et assurez-vous que celui-ci est bien isolé et que la taille du câblage est adéquate. **Un câble de calibre inférieur entre le moteur et le circuit d'alimentation affectera la capacité de démarrage et la puissance sous charge du moteur.** Un calibre minimum pour le câblage est recommandé pour le câble du circuit d'alimentation (voir Tableau 2). Il serait préférable, pour ajouter encore à la sécurité, de mettre la pompe et le moteur à la masse en les branchant au tubage en acier du puits ou de les mettre à la terre dans le panneau de distribution électrique.

Tableau 2 - LONGUEUR MAXIMALE DES FILS

MOTEUR		JAUGE (AMÉRICAINNE) DES FILS				
C.V.	Volts	25 pi (8 m)	50 pi (15 m)	100 pi (30 m)	150 pi (46 m)	200 pi (61 m)
1/2	115	14	14	12	10	8
	230	14	14	14	14	14
3/4	115	14	14	10	8	8
	230	14	14	14	14	12
1	115	14	12	10	8	6
	230	14	14	14	14	12

Basée sur une baisse de voltage approximative de 3%.

Figure 7 - BRANCHEMENTS ÉLECTRIQUES



AMORÇAGE DE LA POMPE

⚠ AVERTISSEMENT NE DÉMARREZ PAS LA POMPE AVANT DE L'AMORCER;
LE JOINT D'ÉTANCHÉITÉ ET L'IMPULSEUR POURRAIENT ÊTRE ENDOMMAGÉS.

REMARQUE : Vous aurez besoin d'une quantité d'eau suffisante pour remplir le(s) conduite(s) d'aspiration et le boîtier.
Le délai d'amorçage dépend de la distance qui sépare la source d'eau de la pompe (entre 5 et 15 minutes).

UTILISATION D'UN CLAPET ANTI-RETOUR INTÉGRÉ

1. Ouvrez le clapet de refoulement sur la ligne de service et le robinet situé à proximité afin de contrôler le débit d'eau.
2. À l'aide d'une clé, retirez le bouchon d'amorçage.
3. Versez de l'eau propre dans l'ouverture du bouchon d'amorçage.
4. Continuez à remplir la pompe jusqu'à ce que l'eau ressorte par les orifices d'amorçage.
5. Réinstallez le bouchon d'amorçage et serrez-le à la main.
6. Démarrez la pompe. Si un robinet est visible, vous verrez peut-être un déversement d'eau de courte durée (environ 5 à 10 secondes).
7. Faites fonctionner la pompe pendant deux minutes et éteignez-la. Retirez le bouchon d'amorçage.
8. Vous avez maintenant terminé le premier cycle d'amorçage, soit les étapes 3 à 7. Ce processus devra être répété de deux à six fois, selon la longueur de votre conduite d'aspiration. (Il faut prévoir environ un cycle d'amorçage pour chaque 5 pi [1,5 m] de conduite d'aspiration.) Vous saurez à quel moment arrêter puisque la pompe commencera à pomper de l'eau de façon continue.
9. Lorsque la pompe aura commencé à pomper de l'eau de façon continue, serrez fermement le bouchon d'amorçage à l'aide d'une clé.
10. Si la pompe ne pompe pas d'eau après 8 tentatives, mettez-la hors tension et vérifiez la conduite d'aspiration afin de vous assurer qu'elle ne comporte aucune fuite.

UTILISATION D'UN CLAPET DE PIED

1. Ouvrez le clapet de refoulement sur la ligne de service et le robinet situé à proximité afin de contrôler le débit d'eau.
2. À l'aide d'une clé, retirez le bouchon d'amorçage.
3. Versez de l'eau propre dans l'ouverture du bouchon d'amorçage. Vous aurez besoin d'environ 1/4 gal (1 L) d'eau pour chaque 3 pi (1 m) de conduite d'aspiration.
REMARQUE : Si vous n'arrivez pas à remplir la conduite d'aspiration, veuillez suivre les instructions pour l'utilisation d'un clapet anti-retour intégré.
4. Continuez à remplir la pompe jusqu'à ce que l'eau ressorte par les orifices d'amorçage.
5. Réinstallez le bouchon d'amorçage et serrez-le à la main.
6. Démarrez la pompe. Si celle-ci a été amorcée correctement, elle devrait immédiatement commencer à pomper de l'eau.
7. Si l'eau n'est pas pompée de façon continue dans un délai de deux minutes, arrêtez la pompe. Retirez le bouchon d'amorçage. Répétez les étapes 3 à 7. Si cela ne fonctionne toujours pas, éteignez la pompe et inspectez la conduite d'aspiration afin de vous assurer qu'elle ne comporte aucune fuite.
8. Lorsque la pompe aura commencé à pomper de l'eau de façon continue, serrez fermement le bouchon d'amorçage à l'aide d'une clé.

ENTRETIEN

⚠ AVERTISSEMENT RISQUE DE CHOC ÉLECTRIQUE

Avant d'entretenir ou de réparer n'importe quel appareil à moteur, vous devez couper le courant au panneau électrique principal et déconnecter le moteur et les accessoires. Durant ce genre de travaux, il faut toujours travailler prudemment.

PROCÉDEZ À DES INSPECTIONS SUR UNE BASE MENSUELLE

1. Assurez-vous que la pompe est correctement boulonnée à la fondation.
2. Afin d'éviter les risques d'incendie, assurez-vous qu'une distance adéquate sépare la pompe de tout matériau combustible, rangement ou meuble. Assurez-vous qu'aucune feuille ou autre débris ne se trouve à proximité de la pompe.
3. Assurez-vous que le moteur est correctement branché à un circuit protégé à l'aide d'un DDFT adéquat. Procédez à un examen périodique du DDFT en appuyant sur le commutateur de test lorsque la pompe fonctionne. La pompe devrait alors cesser de fonctionner. Si le DDFT n'interrompt pas le fonctionnement de la pompe, faites remplacer celui-ci sans tarder par un électricien. N'oubliez pas de remettre le DDFT en marche en appuyant sur le poussoir de réarmement.
4. Essayez de détecter tout signe de fuite dans les conduits. Au besoin, remplacez ou réparez les pièces défectueuses.
5. Au besoin, nettoyez l'extérieur de la pompe avec une solution d'eau et de vinaigre.

DRAINAGE

Une conduite éventuellement gelée exigera le drainage de la pompe et du réservoir. À cet effet, éteignez l'arrivée de courant à la pompe, depuis le panneau de commandes électriques principal. Ouvrez un robinet dans le système pour en libérer la pression. Enlevez du carter de pompe le drain et les bouchons de drainage et de remplissage. Enlevez le bouchon de drainage du réservoir, le cas échéant. Prévoyez suffisamment de temps pour le drainage du système avant de remettre les bouchons.

LUBRIFICATION

Inutile pour la pompe.

REPLACEMENT DU JOINT ÉTANCHE MÉCANIQUE

(Voir la Figure 8)

⚠ MISE EN GARDE L'ENTRETIEN DES APPAREILS ÉLECTRIQUES ET/OU MÉCANIQUES DOIT TOUJOURS ÊTRE EFFECTUÉ PAR UNE PERSONNE DÛMENT QUALIFIÉE.

Démontage :

1. Coupez l'alimentation électrique à la pompe au niveau du panneau de service principal et débranchez le moteur de la source d'alimentation.
2. Ouvrez un robinet du système d'alimentation en eau pour libérer la pression.
3. Retirez les bouchons de vidange et de remplissage pour permettre la vidange de la pompe.
4. Retirez les boulons (1) et retirez ensuite le corps de la pompe (2).
5. Retirez les fixations du capot de ventilateur à l'arrière du moteur et enlever le capot du ventilateur (3).

⚠ MISE EN GARDE Veiller à ne pas endommager le moteur du ventilateur ou le capot.

6. Retirez la turbine (4) en tenant fermement sur le moteur du ventilateur (5) et tourner la turbine dans le sens horaire.
7. Enlevez le joint rotatif (9) de l'arbre.
8. Retirez les boulons de liaison du moteur et retirez le moteur (6) de l'adaptateur (7) en tapant légèrement sur l'extrémité de l'arbre de moteur avec un maillet.
9. Retirez l'entretoise et le joint torique.

Remontage :

1. Nettoyez bien toutes les pièces avant de les assembler.
2. Lubrifiez légèrement (avec de l'eau savonneuse) le chapeau en caoutchouc du joint en céramique (8) et poussez-le dans l'adaptateur (7) en vous servant uniquement de vos pouces. Assurez-vous que la surface lisse du siège en céramique est dirigée vers l'extérieur.

⚠ MISE EN GARDE Ne pas utiliser des nettoyants à base de pétrole ou des lubrifiants.

⚠ MISE EN GARDE Faire attention pour ne pas contaminer la surface du joint en céramique.

REMARQUE : Si la pompe ne sera pas utilisée avant une semaine ou plus, les composants du joint doivent être insérés à sec (sans lubrification).

3. Remonter le moteur (6) sur l'entretoise. Aligner les languettes de l'entretoise avec la fente au bas du châssis du moteur.
4. Lubrifier les composants en caoutchouc du joint rotatif (9) (eau savonneuse), puis le glisser sur l'arbre avec l'anneau en carbone vers le siège en céramique.

▲ MISE EN GARDE Faire attention pour ne pas contaminer la surface du joint en carbone.

5. Remettre la turbine (4) en place ainsi que le capot avec les fixations. Lubrifier et remplacer le joint torique.
6. Posez le corps de la pompe (2) en vous assurant que le joint torique n'est pas endommagé et qu'il est bien en place.
7. Posez les bouchons de vidange et de remplissage.
8. Branchez la pompe à la source d'alimentation.
9. Amorcer la pompe. Se référer à la section Opération.

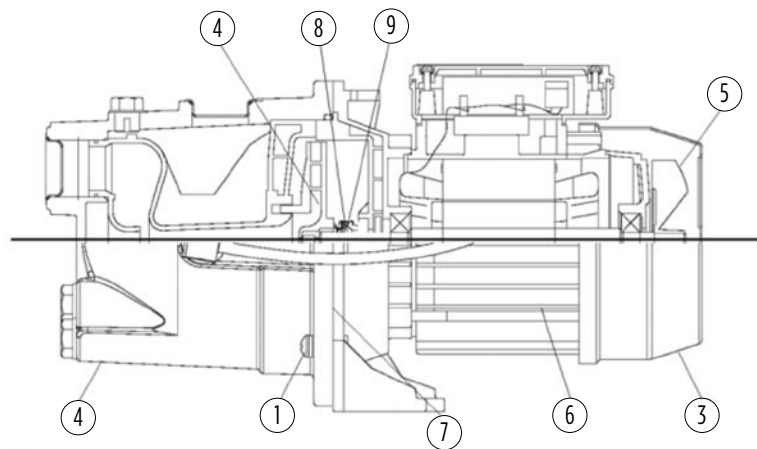


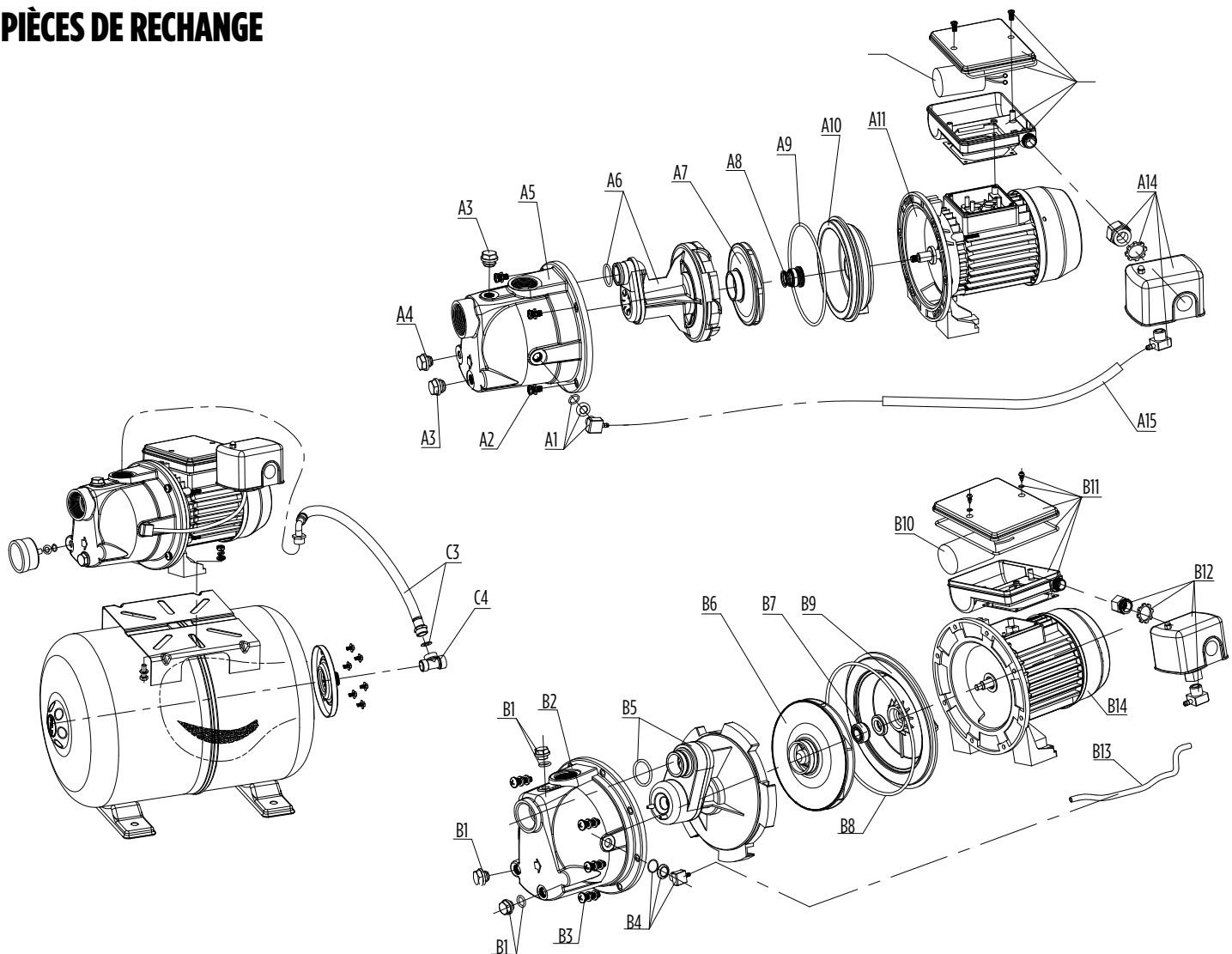
Figura 8

GUIDE DE DÉPANNAGE

PROBLÈME	CAUSE POSSIBLE
Le moteur ne démarre pas	Le manostat ne fonctionne pas en raison de fusibles sautés, d'interrupteurs ouverts ou de mauvais branchements.
	Le manostat de la pompe est ouvert.
Aucun pompage	La pompe n'est pas bien amorcée.
	La hauteur d'aspiration est trop élevée.
	Immersion incomplète, enfouissement dans la boue ou colmatage du clapet de pied.
	La soupape de contrôle est entièrement fermée.
Perte d'amorçage	Fuites d'air dans la conduite d'aspiration.
	Le pompage entraîne une trop grande dépression du niveau d'eau.
	Le clapet de pied est défectueux.
Installations au point de puits où la pompe perd de la pression ou ne peut être amorcée	Demandez à un électricien d'installer un interrupteur de basse pression pour arrêter la pompe avant une défaillance critique.
	Installez une soupape d'étranglement ou ajustez celle-ci afin de compenser la capacité disponible.
	Ajoutez un réservoir de plus grande taille (20 gallons ou plus) pour obtenir une capacité additionnelle.

PROBLÈME	CAUSE POSSIBLE
La pompe refoule l'eau à un débit insuffisant	Fuites dans les canalisations d'aspiration ou de refoulement.
	Obstruction partielle du clapet de pied, de la conduite d'aspiration, de la roue ou de la buse.
	Hauteur d'aspiration trop élevée.
	Rotation incorrecte ou régime trop faible de la roue de turbine.
	Le venturi ou le diffuseur est obturé.
	Le moteur est câblé pour un voltage incorrect.
	La compagnie d'électricité fournit un voltage trop bas pour le moteur.
	La cartouche de filtration (si elle est utilisée) doit être changée ou n'est pas installée de façon adéquate.
Démarrage et arrêt trop fréquents de la pompe	Le régulateur de volume d'air est défectueux.
	Fuite d'air dans le réservoir au-dessus du niveau de l'eau.
	Mauvais réglage du manostat.
	Le réservoir est saturé d'eau ou incorrectement pressurisé pour l'application choisie.
	Le clapet de pied fuit ou reste ouvert.

PIÈCES DE RECHANGE



Contenus	Article	Pièces de rechange	Où utilisé
A5 & A10	305585001	Boîtier/plaque de joint d'étanchéité	RL-SWJ50 & RL-SWJ75
A2, A3, A4 & A9	305585002	Trousse de quincaillerie	RL-SWJ50 & RL-SWJ75
A6, A7 & A8	305585005	Trousse de révision	RL-SWJ50
A6, A7 & A8	305585006	Trousse de révision	RL-SWJ75
A7	305585008	Trousse de turbine	RL-SWJ50
A7	305585009	Trousse de turbine	RL-SWJ75
A8	305585011	Joint d'arbre	RL-SWJ50 & RL-SWJ75
A1, A14 & A15	305585012	Trousse d'interrupteur de pression	RL-SWJ50 & RL-SWJ75
B2 & B9	305585003	Boîtier/plaque de joint d'étanchéité	RL-SWJ100
B1, B3 & B8	305585004	Trousse de quincaillerie	RL-SWJ100
B5, B6 & B7	305585007	Trousse de révision	RL-SWJ100
B6	305585010	Trousse de turbine	RL-SWJ100
B7	305585011	Joint d'arbre	RL-SWJ100
B4, B12 & B13	305585012	Trousse d'interrupteur de pression	RL-SWJ100
C3, C4	305592001	Trousse de quincaillerie de pompe et réservoir	RL-SWJ50/RL6H

GARANTIE LIMITÉE

Lors des requêtes en garantie, la marque de Red Lion® (ci-après appelé « la Marque ») garantit les produits spécifiés dans cette garantie contre tout défaut de matériaux et de main-d'oeuvre. Pendant les périodes couvertes par la garantie et selon les conditions indiquées dans la présente, la Marque réparera ou remplacera toute partie de ce produit présentant une défaillance liée aux matériaux ou à la main-d'oeuvre, et ce uniquement auprès du premier utilisateur ou acheteur. En tout temps, la Marque conserve le droit et l'option de déterminer si un équipement, des pièces ou des composants défectueux doivent être réparés ou remplacés. La Marque peut inspecter tout produit sous garantie qui lui est retourné afin de confirmer que la garantie s'applique, avant d'approuver la réparation ou le remplacement. Cette garantie stipule l'unique obligation de la Marque et le recours exclusif de l'acheteur pour un produit défectueux. Retourner le produit défectueux au détaillant pour les requêtes en garantie.

PÉRIODE DE GARANTIE – PRODUITS : 24 mois à partir de la date d'achat par l'utilisateur. (Aucune garantie n'est offerte pour les balais, le rotor ou la came sur les modèles avec moteur à balais et/ou rotor flexible à palettes.) En l'absence d'une preuve adéquate de la date d'achat, la période d'application commencera à partir de la date de fabrication.

COÛTS DE MAIN-D'OEUVRE, ETC. : EN AUCUN CAS l'Entreprise ne pourra être tenue responsable du coût de la main-d'oeuvre ou d'autres frais encourus par un client lors de la dépose et/ou de la réparation d'un produit, d'une partie ou d'un composant.

AMÉLIORATIONS DU PRODUIT : L'Entreprise se réserve le droit de modifier ou d'améliorer ses produits, ou une quelconque de leur partie, sans obligation de fournir une telle modification ou amélioration aux appareils déjà vendus et/ou expédiés avant que de telles modifications ou améliorations n'aient été apportées.

CONDITIONS ET MODALITÉS GÉNÉRALES : Cette garantie ne couvre pas les dommages causés par une catastrophe naturelle, l'usure normale, la foudre ou des conditions hors du contrôle de l'Entreprise ; et elle ne couvre pas non plus les services d'entretien normaux et aux pièces usées associés à un tel service, ni les produits qui, selon le jugement exclusif de l'Entreprise, ont été exposés à la négligence, l'abus, un accident, une application inappropriée, une altération, une modification ; ni aux dommages causés par une installation, une utilisation, un entretien ou un entreposage inadéquat ; ni à une utilisation au-delà des maximums.

La garantie est NULLE si l'une des conditions suivantes s'applique :

1. Le produit est utilisé pour des applications autres que celles pour lesquelles il a été conçu et fabriqué.
2. Le produit n'est pas installé dans le respect des codes et règlements applicables et selon les bonnes pratiques acceptées dans l'industrie.
3. Le produit a été branché à une tension autre que celle indiquée sur la plaque signalétique.
4. La pompe a été utilisée avec des liquides autres que de l'eau douce approximativement à la température ambiante.
5. La pompe a fonctionné à sec (alimentation en liquide coupée).
6. Le carter moteur scellé a été ouvert ou le produit a été démonté par le client.

AVIS DE NON-RESPONSABILITÉ : Toute déclaration verbale portant sur le produit, faite par le vendeur, l'Entreprise, les représentants ou toute autre partie ne constitue pas une garantie et ne peut être considérée par l'utilisateur comme faisant partie du contrat de vente. La seule obligation du vendeur ou de l'Entreprise et le seul recours de l'acheteur est le remplacement et/ou la réparation du produit par l'Entreprise, comme il est décrit ci-dessus. LE VENDEUR OU L'ENTREPRISE NE PEUT ÊTRE TENU RESPONSABLE POUR TOUTE BLESSURE, PERTE OU DOMMAGE DIRECT, INDIRECT OU CONSÉCUTIF (INCLUANT MAIS SANS S'Y LIMITER LES DOMMAGES INDIRECTS OU CONSÉCUTIFS LIÉS À UNE PERTE DE PROFITS, UNE PERTE DE VENTES, DES BLESSURES OU DES DOMMAGES MATÉRIELS, OU TOUT AUTRE INCIDENT OU PERTE CONSÉCUTIVE), RÉSULTANT DE L'UTILISATION OU DE L'IMPOSSIBILITÉ D'UTILISER LE PRODUIT ; DE PLUS, L'UTILISATEUR ACCEPTE QU'AUCUN AUTRE RECOURS N'EST DISPONIBLE. Avant de commencer à utiliser le produit, l'utilisateur doit déterminer si ce produit est adapté à l'usage prévu ; et l'utilisateur assume tous les risques et toutes les responsabilités qui sont liés à cette utilisation. LA GARANTIE ET LES MESURES CORRECTIVES DÉCRITES DANS LA PRÉSENTE GARANTIE LIMITÉE CONSTITUENT UNE GARANTIE ET DES MESURES CORRECTIVES EXCLUSIVES EN LIEU ET PLACE DE TOUTE AUTRE GARANTIE ET MESURE CORRECTIVE, EXPRESSE OU IMPLICITE ; ET TOUTE AUTRE GARANTIE ET MESURE CORRECTIVE EST EXPRESSÉMENT EXCLUE, INCLUANT, MAIS SANS S'Y LIMITER, TOUTE GARANTIE IMPLICITE DE QUALITÉ MARCHANDE OU D'ADAPTATION À UN USAGE PARTICULIER. Certaines juridictions et certains pays interdisent les exclusions ou les limitations de durée d'une garantie implicite ou l'exclusion ou la limitation des dommages indirects ou consécutifs ; les limitations ou exclusions ci-dessus pourraient donc ne pas s'appliquer à votre cas. Cette garantie vous donne des droits légaux spécifiques et vous pourriez également jouir d'autres droits qui varient selon la juridiction ou le pays.

Pour l'aide technique, des parties ou la réparation, entrez s'il vous plaît en contact.... 1.888.956.0000 | www.RedLionProducts.com

RED LION®

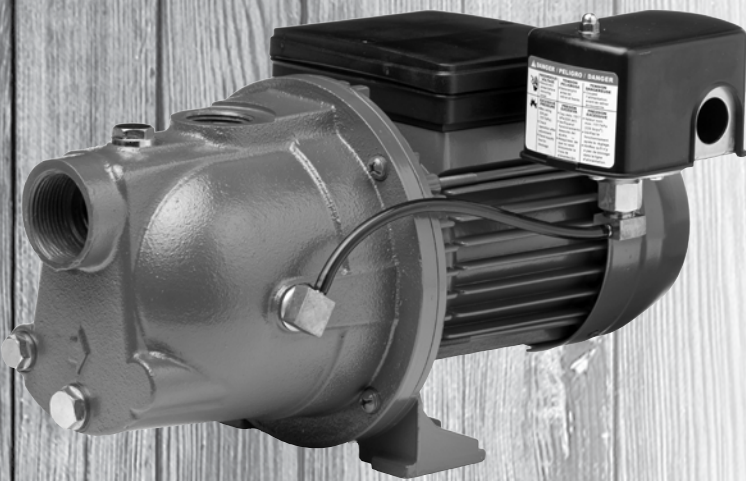
ES ESPAÑOL

BOMBA INYECTORA DE POZO POCO PROFUNDO

Serie de RL-SWJ

Manual del propietario

ESTA BOMBA ES DE DOBLE VOLTAJE Y ESTÁ CONFIGURADA DE FÁBRICA PARA 230 V. VER INSTRUCCIONES DE AJUSTE DE VOLTAJE PARA CONFIGURAR A 115 V.




Índice


Antes de empezar.....	2
Lista de control de instalación.....	3
Introducción.....	4
Instrucciones de ajuste de voltaje.....	4
Materiales y herramientas necesarios.....	5
Información importante.....	5
Guía de instalación rápida.....	6
Instrucciones de instalación detalladas.....	7-8
Instalaciones típicas.....	9
Instalación de la bomba al tanque.....	10
Instrucciones para el cableado.....	11
Cebado de la bomba.....	12
Mantenimiento.....	13-14
Guía para detectar problemas.....	14
Piezas de recambio.....	15
Garantía limitada.....	16


ANTES DE EMPEZAR


Lea y siga las instrucciones de seguridad. Consulte las placas de datos del producto para obtener instrucciones de operación y especificaciones adicionales.

Este es un símbolo de alerta de seguridad. Cuando vea este  símbolo en su bomba o en este manual, busque alguna de las siguientes palabras de señalización y esté alerta a la posibilidad de lesiones personales o daños a la propiedad si se ignoran:

 PELIGRO advierte sobre peligros que ocasionarán lesiones personales graves, muerte o daños de consideración a la propiedad si se ignoran.

 ADVERTENCIA advierte sobre peligros que pueden ocasionar lesiones personales graves, muerte o daños de consideración a la propiedad si se ignoran.


 PRECACIÓN advierte sobre peligros que ocasionarán o podrán ocasionar lesiones personales menores o daños de consideración a la propiedad si se ignoran.

 AVISO indica instrucciones especiales que son importantes pero no están relacionadas con los peligros. Lea atentamente y siga todas las instrucciones de seguridad en este manual y en la bomba.



LEA ESTE MANUAL Y SIGA TODAS LAS REGLAS DE SEGURIDAD ANTES DE INSTALAR U OPERAR ESTA BOMBA.

 ADVERTENCIA LEA Y SIGA TODAS LAS INSTRUCCIONES DE SEGURIDAD.

 ADVERTENCIA PRECAUCIONES ELÉCTRICAS - Todo cableado, conexiones eléctricas y sistemas de contacto a tierra deben cumplir con el Código Eléctrico Nacional (NEC) y con cualquier código y ordenanza local. Contrate los servicios de un electricista con licencia.

 ADVERTENCIA ESTE ES UN MOTOR DE DOBLE VOLTAJE (115/230 V) - Las instrucciones para cambiar el voltaje se encuentran en este manual.

 AVISO El voltaje de motor es de la fábrica predeterminado en 230 V.

 ADVERTENCIA RIESGO DE DESCARGA ELÉCTRICA

- Haga que un electricista le conecte la electricidad al motor.
- Se recomienda tender un circuito independiente desde el panel de distribución eléctrica de la vivienda que esté adecuadamente protegido con un fusible o un disyuntor.
- Se recomienda también usar un circuito con protección de interruptor por falla a tierra (Ground Fault Interrupter, GFI) con cualquier dispositivo eléctrico en funcionamiento cerca del agua.
- Vea en la Tabla 2 el tamaño de cable recomendado.
- El motor debe estar conectado a tierra y la tapa del terminal debe estar en su sitio para reducir el riesgo de una descarga eléctrica.
- Mantenga el área de operación del motor tan seca como sea posible.
- Desconecte siempre la electricidad antes de darle servicio.
- No se ha investigado su uso en el área de albercas o piscinas.

 ADVERTENCIA SE RECOMIENDA UNA VÁLVULA DE ALIVIO DE PRESIÓN DE 75 PSI

Esta bomba es capaz de producir una elevada presión. Es muy recomendable que se instale una válvula de alivio de presión de 75 psi.

LISTA DE CONTROL DE INSTALACIÓN

Esta lista de control se brinda para su conveniencia. Si se omitió un paso, asegúrese de haber apagado la alimentación eléctrica en el disyuntor y libere completamente la presión del sistema hidráulico antes de seguir trabajando en el sistema.

⚠ ADVERTENCIA SE RECOMIENDA UNA VÁLVULA DE ALIVIO DE PRESIÓN DE 75 PSI

Esta bomba es capaz de producir una elevada presión. Es muy recomendable que se instale una válvula de alivio de presión de 75 psi.

Modelo n.º: _____

Serie n.º: _____

Fecha de compra: _____

Lugar de la compra: _____

CONSERVE ESTE MANUAL PARA FUTURAS REFERENCIAS.

✓	Descripción
	Configuración del voltaje en la bomba verificado y ajustado de acuerdo con el voltaje en el disyuntor.
	Válvula de contención (para pozos perforados) o válvula check (para pozos hincados) instaladas.
	Cableado y dispositivos eléctricos conectados por un electricista con licencia.
	Toma de la bomba conectada a la tubería en el pozo.
	Sello del pozo instalado.
	Descarga de la bomba conectada al tanque y a la línea de servicio.
	Presión de tanque verificada y cargada a 28 psi.
	Todas las juntas selladas con cemento de cloruro de polivinilo (PVC), cinta de politetrafluoroetileno (PTFE) o calor y abrazaderas.
	Todas las conexiones revisadas y sin fugas.
	Válvula de alivio de presión instalada.
	Todos los demás accesorios instalados: grifo de desagüe, válvula de cierre, manómetro (opcional).
	Disyuntor encendido.
	Bomba cebada.
	Número de modelo y número de serie registrados en este manual.
	Recibo engrapado al manual.

INTRODUCCIÓN

La bomba de chorro para pozo poco profundo es ideal para suministrar agua fresca a hogares rurales, granjas y cabañas. Esta bomba es adecuada para las instalaciones donde la distancia vertical desde la bomba hasta el nivel del agua no es mayor de 25 pies (7.6 m), incluido el descenso de nivel (menos a altitudes mayores). En las instalaciones inclinadas, se deben tomar en cuenta las pérdidas por fricción en la tubería de succión (consulte la **Tabla 1, Tabla de pérdida por fricción**).

Esta hoja de instrucciones le proporciona la información requerida para tener y operar de forma segura su producto. Guarde las instrucciones para referencia futura.

El producto que ha adquirido se fabrica utilizando mano de obra y materiales de la más alta calidad y ha sido diseñado para prestarle un servicio duradero y confiable. Los productos son cuidadosamente probados, inspeccionados y empacados para garantizarle una entrega y operación seguras. Examine su unidad cuidadosamente para asegurarse de que no haya ocurrido ningún daño durante el transporte. Si se ha presentado algún daño, comuníquese con el lugar de compra. Deberán darle asistencia para obtener la reparación o reemplazo, si se requiere.

LEA ESTAS INSTRUCCIONES CUIDADOSAMENTE ANTES DE INTENTAR INSTALAR, HACER FUNCIONAR O PRESTAR SERVICIO TÉCNICO A SU PRODUCTO. CONOZCA CUÁLES SON LAS APLICACIONES, LIMITACIONES Y PELIGROS POTENCIALES DE LA UNIDAD. PROTEJA A TERCEROS Y PROTÉJASE A USTED MISMO SIGUIENDO TODA LA INFORMACIÓN DE SEGURIDAD. ¡LA FALTA DE CUMPLIMIENTO DE ESTAS INSTRUCCIONES PUEDE PRODUCIR LESIONES PERSONALES Y/O DAÑOS A LA PROPIEDAD!

INSTRUCCIONES DE AJUSTE DE VOLTAJE

Para cambiar el voltaje de la bomba de la configuración de fábrica de 230 voltios, un electricista calificado debería:

1. Desconecte la corriente a la bomba
2. Retire la tapa de la caja de terminales del motor
3. Deslice el interruptor de voltaje de 230 V a 115 V, como se muestra en la Figura 2
4. Vuelva a ensamblar la tapa caja de bornes

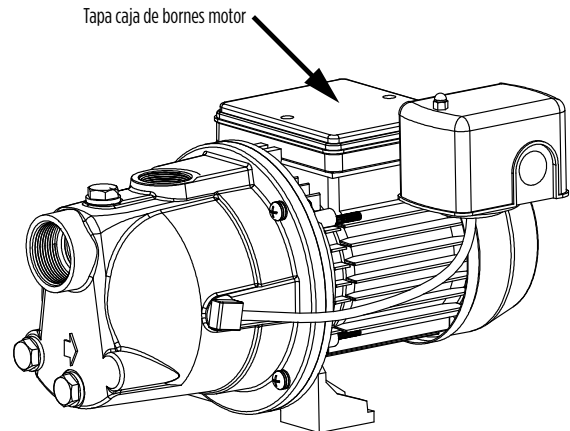


Figura 1

El interruptor del motor está ajustado para 230 V:



El interruptor del motor está ajustado para 115 V:



Destornillador de lugar donde indica y deslice hacia la izquierda o derecha

Figura 2 - INTERRUPTOR DE VOLTAJE

MATERIALES Y HERRAMIENTAS NECESARIOS

MATERIALES NECESARIOS

Juntas de tubería

- Un rollo de cinta PTFE.
- Una lata de cebador de PVC.
- Una lata de cemento de PVC.
- Abrazaderas de acero (opcional).

Pozos perforados (los materiales para pozos hincados se enumeran por separado)

- Una válvula de contención de 31.75 mm (1.25 pulg) (no necesaria para pozos hincados).
- Una tubería de PVC de 31.75 mm (1.25 pulg) (para conectar a la válvula de contención; necesaria solo para pozo poco profundo).
- Tubería de PVC rígida de 31.75 mm (1.25 pulg) y acoples para llegar del fondo del pozo a la bomba.
- Un adaptador de PVC macho de 31.75 mm (1.25 pulg) (para la abertura de descarga).
- Sello de pozo con respiradero.
- Un codo de PVC de 90° de 31.75 mm (1.25 pulg) (para unir la tubería del pozo a la bomba).
- Un adaptador galvanizado macho de 31.75 mm (1.25 pulg) (para la abertura de succión).

Pozos hincados

- Punta de perforación de pozo (se puede necesitar más de una).
- Tubería galvanizada de 31.75 mm (1.25 pulg) para llegar del fondo del pozo a la parte superior del pozo más 30 cm (1 pie) (si se necesita más de una punta de perforación de pozo, se requerirán tuberías y codos adicionales para unirlos).
- Un codo galvanizado de 90° de 31.75 mm (1.25 pulg).
- Un empalme galvanizado de 31.75 mm (1.25 pulg).
- Una válvula check de 31.75 mm (1.25 pulg).
- Un adaptador de PVC macho de 31.75 mm (1.25 pulg).
- Un adaptador galvanizado macho de 31.75 mm (1.25 pulg).
- Una tubería de PVC de 31.75 mm (1.25 pulg) medida desde el adaptador conectado a la bomba hasta la válvula check.
- Válvula limitadora (conectada después del codo en la descarga de la bomba).
- Interruptor de corte por baja presión (recomendado).

Instalación de la bomba al tanque

- Un adaptador PVC macho (conectado al tanque): el tamaño de la conexión del tanque depende del sistema conectado en el tanque.
- Una T de tanque: el tamaño debe ser el mismo que el adaptador anterior.
- Un codo de PVC de 25.4 mm (1 pulg).
- Tubería de PVC para conectar desde la T del tanque hasta el codo en la descarga de las bombas y para unir la línea de servicio.
- Válvula de alivio de alta presión (conectada a la T del tanque).
- Un grifo de desagüe de 12.7 mm (0.5 pulg) (conectado a la T del tanque).

HERRAMIENTAS NECESARIAS

- Lima cilíndrica.
- Abrazadera de tubería.
- Llave para tubería o llave ajustable.
- Destornillador ranurado.
- Destornillador de cruceta.
- Sierra para metales o sierra alternativa.
- Pistola de aire caliente (opcional).

INFORMACIÓN IMPORTANTE

CONEXIÓN DE ACOPLAMIENTOS PARA TUBERÍAS

Siga las directrices de acoplamiento a continuación para todas las conexiones, a menos que se especifique lo contrario.

ACOPLAMIENTOS DE TUBERÍA DE PVC

Al momento de conectar dos juntas de PVC (como la conexión de un adaptador a una tubería de PVC), siempre utilice el cebador de PVC para limpiar ambas piezas; aplique el cebador en el interior de una junta y en el exterior de la otra junta para unir las áreas cebadas. Seleccione el Método 1, 2 o 3 para fijar las juntas. Cuando ajuste la tubería de PVC, ajuste con firmeza sin ajustar de más ya que podría romper el acoplamiento.

Método 1 – Cinta PTFE: Cinta PTFE: coloque firmemente la cinta PTFE alrededor de las roscas macho. Comience cubriendo las roscas en el extremo de la tubería, mientras mantiene la tensión de la cinta. No deje cinta colgada en el borde del adaptador. Cubra en dirección de las roscas; comience desde el extremo hasta cubrir la longitud total del adaptador. Superponga cada envoltura aproximadamente en un 70 %.

Método 2 – Uso de cemento de PVC: Uso de cemento de PVC: aplique cemento de PVC en las áreas recién cebadas y una las dos piezas. Tuerza a la derecha y nuevamente a la izquierda para que el cemento se incruste entre las piezas.

Método 3 – Uso de calor y abrazaderas: Uso de calor y abrazaderas: anexe dos abrazaderas de acero al acoplamiento más grande antes de unir los acoplamientos. Caliente el acoplamiento más grande con una pistola de aire caliente (siga todas las instrucciones de seguridad del manual de la pistola de aire caliente). Esto reducirá el tamaño del acoplamiento, lo que permitirá que se una a la junta más pequeña. Una vez que la junta se enfría, ajuste las abrazaderas con un destornillador.

ACOPLAMIENTOS DE TUBERÍA DE METAL

Utilice cinta PTFE o compuestos para roscas para recubrir el roscado.

ASEGÚRESE DE QUE LAS JUNTAS SEAN HERMÉTICAS. HASTA EL MÍNIMO ORIFICIO PUEDE IMPEDIR EL FUNCIONAMIENTO ADECUADO DE LA BOMBA.

TUBERÍAS DE PRESIÓN Y SUCCIÓN

Se recomienda usar únicamente tuberías nuevas y limpias de 31.75 mm (1.25 pulg). Si la bomba se instala a una distancia apreciable del suministro de agua, el tamaño de la tubería de succión debe incrementarse a 38.1 mm (1.5 pulg). Los tramos horizontales de la tubería deben tener una pendiente gradual de la fuente de agua a la bomba para evitar burbujas de aire en la línea. Se debe usar compuestos para roscas en todas las uniones de la tubería, y las conexiones deben estar bien ajustadas. **Se debe instalar una válvula de pie o una válvula de chequeo** y su operación debe inspeccionarse debido a que las fugas evitan la operación apropiada del sistema. Asegúrese de ubicar la válvula de pie de tal manera que siempre esté sumergida. Si se usa una base al fondo del pozo, o un pozo guiado, instale una válvula de chequeo junto a la aspiración de la bomba en lugar de la válvula de pie (ver **Instalaciones típicas**, Figura 5). Todas las instalaciones deben tener una válvula de pie o de chequeo en la tubería de succión.

GUÍA DE INSTALACIÓN RÁPIDA (Cómo reemplazar una bomba existente)

Esta guía de instalación rápida da por sentado que usted cortará la bomba existente de la plomería.

Se ofrecen más instrucciones detalladas en **Instrucciones de instalación detalladas**.

⚠ ADVERTENCIA NO OPERE LA BOMBA ANTES DE CEBARLA; EL SELLO Y EL IMPULSOR SE PODRÍAN DAÑAR PERMANENTEMENTE.

1. Asegúrese de haber apagado la alimentación eléctrica en el disyuntor antes de proceder.
2. **Esta bomba es de doble voltaje (115/230 V). Inspeccione el cableado del voltaje en la bomba y asegúrese de que se ajuste al voltaje del disyuntor antes de seguir con la instalación (ver Instrucciones de ajuste de voltaje).**
3. Libere completamente la presión del sistema hidráulico antes de trabajar en el mismo. Abra la llave cerca del tanque y deje drenar el agua hasta que el tanque esté vacío.
4. Desconecte el cableado que se extiende desde el interruptor de presión hasta la fuente eléctrica.
5. Con una sierra para metales o sierra alternativa, corte toda la tubería de PVC lo más cerca posible a la antigua bomba en las aberturas de succión y de descarga. Asegúrese de que la tubería del pozo y la tubería del tanque estén limpias y libres de rebabas o fragmentos de tubería ya que estos pueden penetrar en la bomba y dañar el impulsor.
6. Instale la bomba nueva.
7. Selle las roscas de la abertura de succión de la bomba con cinta PTFE o compuesto para roscas, e inserte el adaptador galvanizado macho de 31.75 mm (1.25 pulg) en la abertura de succión. Ajuste firmemente sin ajustar de más, ya que esto podría agrietar el acoplamiento.
8. Conecte la tubería de PVC de 31.75 mm (1.25 pulg) del pozo al adaptador macho (posiblemente se deban fijar acoplamientos adicionales). **Asegúrese de que las juntas sean herméticas. Hasta el mínimo orificio puede impedir el funcionamiento adecuado de la bomba.**
9. Selle las roscas de la abertura de descarga de la bomba con cinta PTFE o compuesto para roscas, e inserte el adaptador de PVC macho de 25.4 mm (1 pulg) en la abertura de descarga. Ajuste firmemente sin ajustar de más, ya que esto podría agrietar el acoplamiento.
10. Conecte la tubería de PVC de 25.4 mm (1 pulg) del tanque al adaptador de PVC macho de 25.4 mm (1 pulg) (posiblemente se deban fijar acoplamientos adicionales). **Asegúrese de que las juntas sean herméticas. Hasta el mínimo orificio puede impedir el funcionamiento adecuado de la bomba.**
11. Un metro de presión no es proporcionado por la bomba. Debe instalarse en el orificio de 3.175 mm (1/8 pulg) con rosca NPT delante del casco sobre el lado opuesto del interruptor de presión es (ver **Instalaciones típicas**, Figuras 3, 4, 5, o 6).
12. Se debe contratar a un electricista para que instale el cableado y conecte el servicio eléctrico a la bomba (ver **Instrucciones para el cableado**).
13. Ceba la bomba (ver **Instrucciones de cebado de la bomba**).
14. Asegúrese de haber completado todo mediante la **Lista de control de instalación** provista en este manual.

INSTRUCCIONES DE INSTALACIÓN DETALLADAS

⚠ ADVERTENCIA NO OPERE LA BOMBA ANTES DE CEBARLA; EL SELLO Y EL IMPULSOR SE PODRÍAN DAÑAR PERMANENTEMENTE.

Antes de proceder, asegúrese de haber apagado la alimentación eléctrica en el disyuntor. Si reemplaza una bomba existente, libere completamente la presión del sistema hidráulico antes de trabajar en el mismo. Abra la llave cerca del tanque y deje drenar el agua hasta que el tanque esté vacío.

APLICACIÓN DE POZO POCO PROFUNDO

(para profundidades de bombeo de hasta 7.6 m [25 pies])

Las instalaciones en pozos poco profundos utilizan una sola tubería que conecta la bomba al suministro de agua. Esta bomba se puede utilizar para pozos perforados (ver Figuras 3, 4, o 6) o pozos hincados (ver Figura 5). Los pozos perforados son hoyos en el suelo, perforados por perforadores de pozos profesionales que utilizan grandes perforadoras. Los pozos hincados utilizan una punta de perforación de pozo (también conocida como punta de perforación de arena), que es un tubo puntiagudo largo con un filtro que permite la entrada del agua y deja afuera la arena y el sedimento. El nivel de agua en un pozo hincado es bastante alto o está cerca del nivel del suelo (9.1 m [30 pies] como máximo). Siga con la instalación de pozo poco profundo correspondiente.

POZOS PERFORADOS (con válvula de contención)

1. Mida desde el fondo del pozo hasta la parte superior del pozo y reste 1.5 m (5 pies). Esta es la longitud de la tubería de PVC rígida de 31.75 mm (1.25 pulg) y los acoples que necesitará desde el fondo del pozo hasta el primer codo. Corte la tubería y utilice una lima cilíndrica para pulir el corte. Asegúrese de que la tubería esté limpia y libre de rebabas o fragmentos de tubería ya que estos pueden penetrar en la bomba y dañar el impulsor. El resto de la tubería se utilizará para conectar la bomba al pozo.
2. Fije el adaptador de PVC macho de 31.75 mm (1.25 pulg) a un extremo de la tubería de PVC rígida y fije el adaptador a la válvula de contención. **Asegúrese de que las juntas sean herméticas. Hasta el mínimo orificio puede impedir el funcionamiento adecuado de la bomba.**
3. Sujete firmemente el extremo sin terminar de la tubería con una abrazadera de tubería de 30 cm (1 pie) desde la parte superior de la tubería. Esto evitará que la tubería caiga al fondo del pozo. Baje primero esta sección a la válvula de contención del pozo.
4. En el extremo que sobresale del pozo sujetado con la abrazadera de tubería, inserte el sello de pozo y deje que la tubería sobresalga 30 cm (1 pie) del sello del pozo. Si midió correctamente, la válvula de contención estará suspendida a 1.2 m (4 pies) del fondo del pozo. Esto evitará que ingresen arena y sedimento en el sistema. Instale un respiradero de pozo en el tope del pozo.
5. Fije firmemente el extremo de la tubería a un codo de PVC de 90° de 31.75 mm (1.25 pulg).
6. Instale la bomba en un lugar limpio, seco y ventilado, que brinde suficiente espacio para el mantenimiento y protección contra las temperaturas de congelación. Debe atornillarse a una base firme, preferentemente concreto, e incluir un drenaje adecuado. Colocar la bomba lo más cerca posible de la fuente de agua reduce la fricción en la tubería de succión y brinda un desempeño máximo.
7. Un metro de presión no es proporcionado por la bomba. Debe instalarse en el orificio de 3.175 mm (1/8 pulg) con rosca NPT delante del casco sobre el lado opuesto del interruptor de presión es (ver **Instalaciones típicas**, Figuras 3, 4, o 6).
8. Fije un adaptador galvanizado macho de 31.75 mm (1.25 pulg) a la entrada de succión. No ajuste de más ya que esto podría agrietar el acoplamiento.
9. Utilice el resto de la tubería de PVC del paso 4. Lije el corte de la tubería con una lima cilíndrica. Asegúrese de que la tubería esté limpia y libre de rebabas o fragmentos de tubería ya que estos pueden penetrar en la bomba y dañar el impulsor. Fije un extremo de la tubería al adaptador conectado en la entrada de succión. Revise completamente para detectar si hay alguna fuga. Todas las conexiones y juntas deben ser herméticas. Una mínima fuga puede impedir que la bomba funcione correctamente.
10. Siga los procedimientos de **Instalación de la bomba al tanque**.
11. Asegúrese de haber completado todo mediante la **Lista de control de instalación** provista en este manual.

INSTRUCCIONES DE INSTALACIÓN DETALLADAS

POZO HINCADO (con válvula check y punta de perforación de pozo)

1. Introduzca la punta de perforación de pozo en el suelo de acuerdo con las instrucciones provistas con la punta de perforación de pozo. Debe introducirse a una profundidad suficiente de manera que atraviese la formación acuífera debajo del nivel freático pero sin exceder los 7.6 m (25 pies) de profundidad. Una sola punta de perforación de pozo puede no suministrar la cantidad de agua necesaria. A veces es necesario utilizar más de una punta de perforación de pozo para aumentar el suministro de agua. Las dos puntas de perforación de pozo individuales se pueden acoplar mediante la tubería adicional y una junta en cruz (ver Figura 5).
2. Estime dejar al menos 30 cm (1 pie) de tubería que sobresalga del suelo. La tubería de subida debe ser tubería galvanizada en secciones de aproximadamente 1.5 m (5 pies). Esto facilita aún más el accionamiento manual. Utilice la mayor cantidad de tubería y de acoples de transmisión que sean necesarios para llegar al agua y cubrir los 30 cm (1 pie) de tubería que sobresale del suelo.
3. Fije un codo galvanizado de 31.75 mm (1.25 pulg) a la tubería que sobresale del suelo.
4. Fije un empalme galvanizado de 31.75 mm (1.25 pulg) al codo galvanizado de 31.75 mm (1.25 pulg).
5. Fije una válvula check de 31.75 mm (1.25 pulg) al empalme galvanizado de 31.75 mm (1.25 pulg).
6. Fije un adaptador de PVC macho de 31.75 mm (1.25 pulg) a la válvula check de 31.75 mm (1.25 pulg).
7. Instale la bomba en un lugar limpio, seco y ventilado, que brinde suficiente espacio para el mantenimiento y protección contra las temperaturas de congelación. Debe atornillarse a una base firme, preferentemente concreto, e incluir un drenaje adecuado. Colocar la bomba lo más cerca posible de la fuente de agua reduce la fricción en la tubería de succión y brinda un desempeño máximo.
8. Un metro de presión no es proporcionado por la bomba. Debe instalarse en el orificio de 3.175 mm (1/8 pulg) con rosca NPT delante del casco sobre el lado opuesto del interruptor de presión es (ver **Instalaciones típicas**, Figura 5).
9. Fije un adaptador galvanizado macho de 31.75 mm (1.25 pulg) a la entrada de succión de la bomba. No ajuste de más ya que esto podría agrietar el acoplamiento. Mida desde este adaptador hasta la válvula check que se instaló en el paso 6. Corte la tubería de PVC de 31.75 mm (1.25 pulg) a esta medida. Con una lima cilíndrica, lije el corte de la tubería. Asegúrese de que la tubería esté limpia y libre de rebabas o fragmentos de tubería ya que estos pueden penetrar en la bomba y dañar el impulsor. Fije la tubería de PVC de 31.75 mm (1.25 pulg) al adaptador y luego a la válvula check. Revise completamente para detectar si hay alguna fuga. **Todas las conexiones y juntas deben ser herméticas. Una mínima fuga puede impedir el funcionamiento adecuado de la bomba.**
10. Los niveles de agua de los pozos hincados pueden, a veces, ser demasiado bajos para el bombeo. Para evitar daños en la bomba, pida a un electricista que reemplace el interruptor de presión por un interruptor de corte por baja presión.
11. Siga los procedimientos de **Instalación de la bomba al tanque**.
12. asegúrese de haber completado todo mediante la **Lista de control de instalación** provista en este manual.

INSTALACIONES TÍPICAS

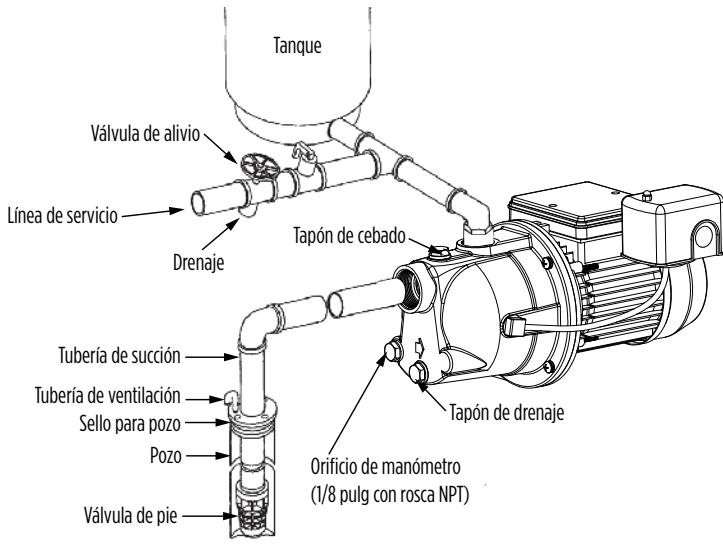


Figura 3 - POZO POCO PROFUNDO
(con válvula de aspiración)

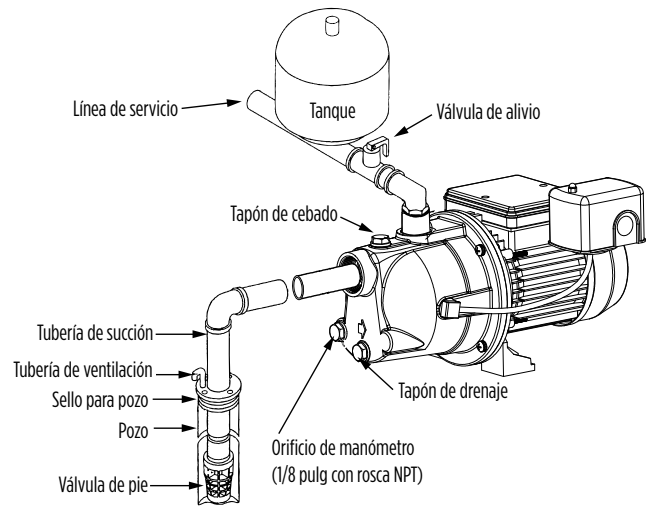


Figura 4 - POZO POCO PROFUNDO, TANQUE EN LÍNEA
(con válvula de aspiración)

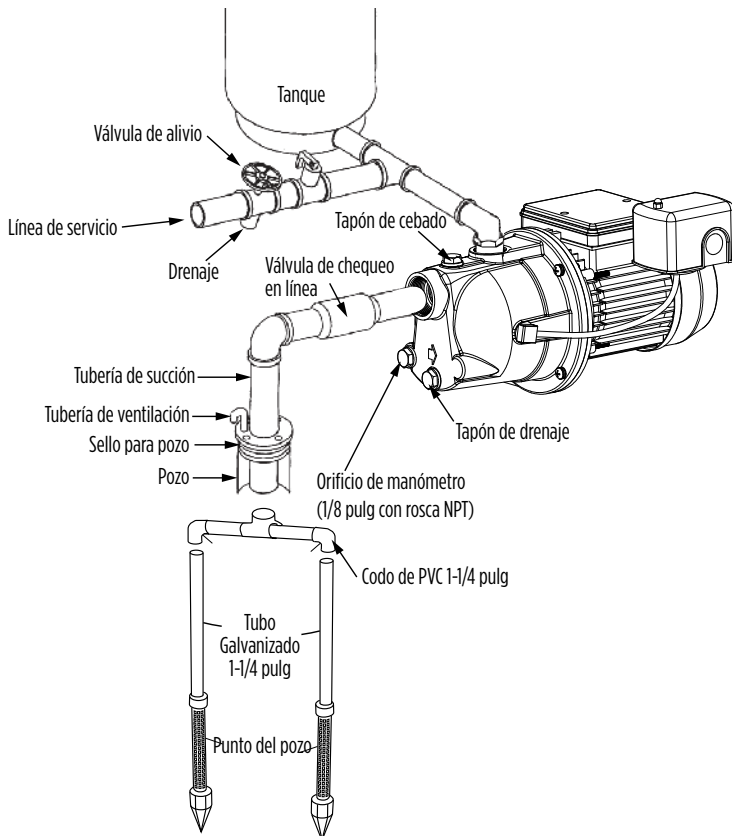


Figura 5 - POZO POCO PROFUNDO
(con válvula de retención en línea)

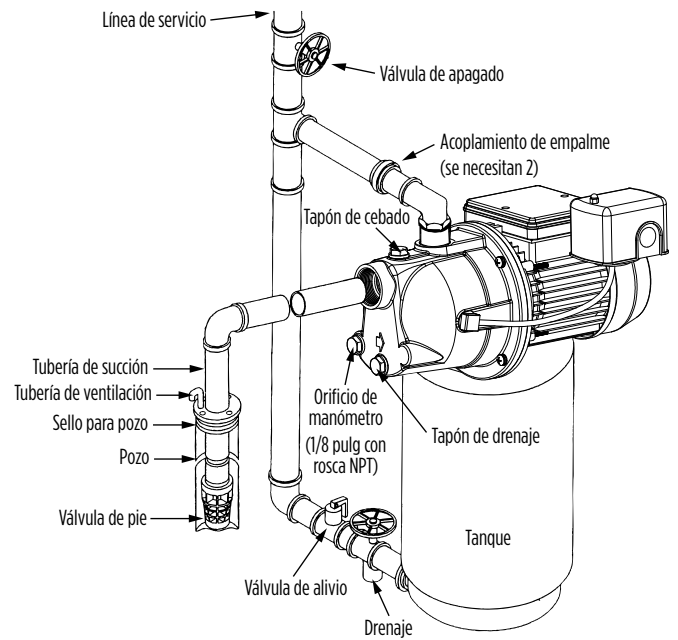


Figura 6 - POZO POCO PROFUNDO, SISTEMA MONTADO EN TANQUE
(con válvula de aspiración)

INSTALACIÓN DE LA BOMBA AL TANQUE

Red Lion® recomienda utilizar tanques de diafragma precargado. Se brindan instrucciones para conectar la bomba a un tanque de diafragma para su conveniencia.

Si se utiliza un tanque sin diafragma en el sistema de presión, se debe utilizar un control de volumen de aire para mantener la amortiguación de aire en el tanque de presión. De lo contrario, el agua absorberá gradualmente el aire del tanque y hará que el tanque se inunde y la bomba acorte el ciclo (se encienda y apague con frecuencia). Esto reduce enormemente la vida útil del motor. Un control de volumen de aire brindará el porcentaje correcto de aire y agua, y evitará inundaciones. Consulte el manual del propietario del tanque de presión para más instrucciones.

NOTA: La válvula check nunca debe instalarse entre la bomba y el tanque.

Antes de proceder, asegúrese de haber apagado la alimentación eléctrica en el disyuntor. Si reemplaza una bomba existente, libere completamente la presión del sistema hidráulico antes de trabajar en el mismo. Abra la llave cerca del tanque y deje drenar el agua hasta que el tanque esté vacío.

⚠️ ADVERTENCIA

SE RECOMIENDA UNA VÁLVULA DE ALIVIO DE PRESIÓN DE 75 PSI

Esta bomba es capaz de producir una elevada presión. Es muy recomendable que se instale una válvula de alivio de presión de 75 psi.

1. La tubería de descarga de la bomba al tanque debe ser lo más corta y directa posible, y debe tener el mismo tamaño que la salida de descarga. Debe tener conectado un adaptador de PVC de 25.4 mm (1 pulg) a la abertura de descarga de la bomba.
2. Fije un codo de PVC de 90° al adaptador.
3. Fije un adaptador de PVC macho al tanque. El tamaño de la conexión del tanque depende del sistema conectado en el tanque.
4. Instale una T de tanque de latón de 25.4 mm (1 pulg) en el adaptador del tanque.
5. Mida la distancia desde la T del tanque hasta el codo (o la válvula limitadora) en la descarga de la bomba y fije la tubería de PVC de 25.4 mm (1 pulg)
6. Fije los accesorios a la T de latón, como la válvula limitadora (recomendada para instalaciones de punta de perforación de pozo), la válvula de alivio de presión alta (recomendada para todas las instalaciones) y el grifo de desagüe. Asegúrese de que la válvula de alivio de presión alta esté cerca de la descarga de la bomba, en un área con drenaje adecuado. Asegúrese de orientar la válvula de manera que el flujo de agua no se disperse hacia la bomba o cualquier otro dispositivo eléctrico.
7. Añada la tubería y los acoples para conectar la línea de servicio. El tamaño de la línea de servicio requerida se determina en su totalidad según la cantidad de agua necesaria y la longitud de la tubería.

La tubería seleccionada debe ser lo suficientemente grande para que la pérdida por fricción (determinada a partir de la **Tabla 1, Tabla de pérdida por fricción**) nunca exceda los 6 m (20 pies) de la cabeza.

8. Quite la tapa de PVC en la válvula de aire del tanque.
9. Revise la precarga del tanque con un medidor de aire. Debe ser igual a 2 psi por debajo de la configuración del corte del interruptor de presión (la presión con la que se inicia la bomba). Por lo tanto, la presión de precarga para esta bomba de 30 psi se debe ajustar a 28 psi. Utilice una bomba de aire o un compresor de aire para cargar el tanque, si fuese necesario.
10. Reemplace y ajuste la tapa de PVC en la válvula de aire.
11. Consulte **Instalaciones típicas** para conocer ejemplos de diferentes configuraciones de bomba y tanque.
12. Asegúrese de haber completado todo mediante la **Lista de control de instalación** provista en este manual.

Tabla 1 - TABLA DE PÉRDIDA POR FRICCIÓN PARA TUBERÍAS DE PLÁSTICO*

Pérdida de presión en pies, debido a la fricción por 100 pies de tubería.

Tamaño Nominal de Tubería Gal. Amer./Min.	3/4 pulg	1 pulg	1-1/4 pulg	1-1/2 pulg	2 pulg
4	3.75	1.15	0.30	0.14	-
5	5.66	1.75	0.46	0.22	-
6	7.95	2.45	0.65	0.31	-
7	10.60	3.25	0.86	0.41	-
8	13.50	4.16	1.10	0.52	-
9	16.80	5.17	1.35	0.65	-
10	20.40	6.31	1.67	0.79	0.23
11	24.40	7.58	1.98	0.95	0.27
12	28.60	8.85	2.33	1.10	0.32
14	38.00	11.80	3.10	1.46	0.43
16	48.60	15.10	3.96	1.87	0.55
18	60.50	18.70	4.93	2.33	0.69
20	73.50	22.80	6.00	2.83	0.84

Pérdida de presión en metros, debido a la fricción por 100 metros de tubería.

Tamaño Nominal de Tubería L/Minuto	20 mm	25 mm	32 mm	40 mm	50 mm
15	3.7	1.15	0.30	0.13	-
20	5.3	1.64	0.43	0.19	-
25	7.1	2.18	0.56	0.27	-
30	13.5	4.13	1.08	0.49	-
35	16.3	5.00	1.31	0.61	-
40	23.5	7.30	1.90	0.88	0.25
45	28.3	8.74	2.31	1.07	0.29
50	34.2	10.60	2.79	1.32	0.38
55	40.7	12.60	3.32	1.56	0.46
60	48.1	14.90	3.92	1.85	0.54
65	55.7	17.30	4.45	2.15	0.63
70	63.8	19.70	5.20	2.46	0.73
75	72.2	22.40	5.89	2.78	0.83

INSTRUCCIONES PARA EL CABLEADO

⚠️ ADVERTENCIA PRECAUCIONES ELÉCTRICAS

Todo cableado, conexiones eléctricas y sistemas de contacto a tierra deben cumplir con el Código Eléctrico Nacional (NEC) y con cualquier código y ordenanza local. Contrate los servicios de un electricista con licencia.

⚠️ ADVERTENCIA RIESGO DE DESCARGA ELÉCTRICA

Antes de prestar servicio a un equipo operado a motor, desconecte la electricidad al motor en el panel eléctrico principal y desconecte el suministro eléctrico del motor y los accesorios. Practique reglas de seguridad de trabajo cuando preste servicio al equipo.

CABLEADO

Un electricista debería hacer el cableado y conectar el servicio eléctrico a la bomba. El interruptor de presión se conecta al motor en la fábrica, y el voltaje para el cual está conectado el motor se indica por el dispositivo de cambio de voltaje que se encuentra debajo de la tapa de acceso al cableado que se encuentra en la parte posterior de la bomba. Asegúrese que el motor esté cableado para el mismo voltaje que el suministro eléctrico. Consulte las instrucciones para el cambio de voltaje en la tapa de acceso al cableado o en de este manual. La línea de energía debe conectarse a los terminales del interruptor de presión marcados con "Line" o "Línea" (Figura 7). Se recomienda que se derive un circuito independiente del tablero de distribución a la bomba. Debe usarse un circuito con protección de falla de conexión a tierra (GFI) para todos los aparatos eléctricos que operen cerca del agua. Instalar un interruptor de desconexión con un fusible adecuado en la línea y asegúrese de que el cableado es del tamaño adecuado y tiene buen aislamiento. **Un cable de un menor tamaño entre el motor y la fuente de energía limitará adversamente la capacidad de arranque y de carga del motor.**

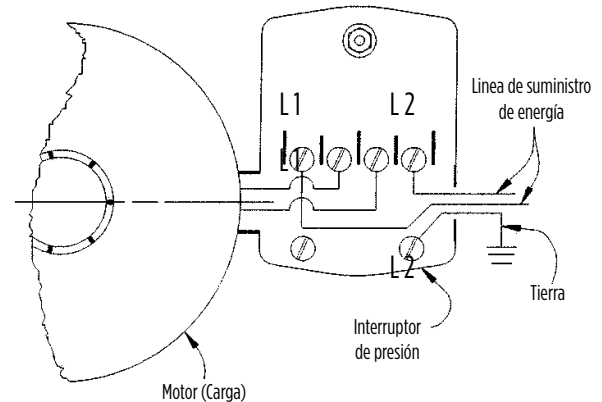
Se recomienda los diámetros mínimos para los cables de extensión del motor (ver Tabla 2). Para seguridad adicional, la bomba y el motor deben estar conectados a tierra en el casco del pozo, si es de metal, o a tierra en el panel de distribución.

Tabla 2 – LARGO MÁXIMO DEL CABLE

MOTOR		CALIBRE DEL CABLE (AWG)				
HP	Volts	25 pies (8 m)	50 pies (15 m)	100 pies (30 m)	150 pies (46 m)	200 pies (61 m)
1/2	115	14	14	12	10	8
	230	14	14	14	14	14
3/4	115	14	14	10	8	8
	230	14	14	14	14	12
1	115	14	12	10	8	6
	230	14	14	14	14	12

Basada en una baja de voltaje aproximada de 3%.

Figura 7 - CONEXIONES ELÉCTRICAS



CEBADO DE LA BOMBA

⚠ ADVERTENCIA NO OPERE LA BOMBA ANTES DE CEBARLA; EL SELLO Y EL IMPULSOR SE PODRÍAN DAÑAR PERMANENTEMENTE.

NOTA: Necesitará bastante agua para llenar la línea de succión y el revestimiento.

El tiempo de cebado depende de la distancia desde la fuente de agua hasta la bomba (de 5 a 15 minutos).

USO DE UNA VÁLVULA CHECK EN LÍNEA:

1. Abra la válvula de descarga en la línea de servicio y el grifo adyacente para monitorear el flujo de agua.
2. Con una llave, quite el tapón de cebado.
3. Vierta agua limpia por la abertura del tapón de cebado.
4. Siga llenando la bomba hasta que el agua salga del orificio de cebado.
5. Coloque nuevamente el tapón de cebado y ajuste a mano.
6. Encienda la bomba. Si el grifo es visible, verá una breve descarga de agua que durará de 5 a 10 segundos.
7. Encienda la bomba durante 2 minutos y luego apáguela. Retire el tapón de cebado.
8. Ha completado el primer ciclo de cebado, que incluye los pasos 3 al 7. Este proceso se deberá repetir de 2 a 6 veces, según la longitud de la línea de succión. (Aproximadamente un ciclo de cebado por cada 1.5 m (5 pies) de línea de succión). Sabrá cuándo detenerse ya que la bomba comenzará a bombear agua de manera continua.
9. Una vez que la bomba comienza a bombear agua de manera continua, ajuste firmemente el tapón de cebado con una llave.
10. Si después de 8 intentos la bomba no bombea agua, apáguela y revise si la línea de succión tiene alguna fuga.

USO DE UNA VÁLVULA DE CONTENCIÓN:

1. Abra la válvula de descarga en la línea de servicio y el grifo adyacente para monitorear el flujo de agua.
 2. Con una llave, quite el tapón de cebado.
 3. Vierta agua limpia por la abertura del tapón de cebado. Necesitará aproximadamente 1 litro de agua por cada metro de línea de succión.
- NOTA:** Si no puede llenar la línea de succión, siga las indicaciones para una válvula check en línea.
4. Siga llenando la bomba hasta que el agua salga del orificio de cebado.
 5. Coloque nuevamente el tapón de cebado y ajuste a mano.
 6. Encienda la bomba. Si la bomba está correctamente cebada, debe comenzar a bombear agua inmediatamente.
 7. Si la bomba no bombea agua de manera continua dentro de los 2 minutos, apáguela. Retire el tapón de cebado. Repita los pasos 3 al 7. Si esto no funciona, apague la bomba y revise si la línea de succión tiene alguna fuga.
 8. Una vez que la bomba comienza a bombear agua de manera continua, ajuste firmemente el tapón de cebado con una llave.

MAINTENIMIENTO

⚠️ ADVERTENCIA RIESGO DE DESCARGA ELÉCTRICA

Antes de prestar servicio a un equipo operado a motor, desconecte la electricidad al motor en el panel eléctrico principal y desconecte el suministro eléctrico del motor y los accesorios. Practique reglas de seguridad de trabajo cuando preste servicio al equipo.

REALIZAR INSPECCIONES MENSUALES

1. Asegúrese de que la bomba todavía está firmemente atornillada a la base.
2. Para evitar el peligro de incendio, asegúrese de que haya una distancia suficiente de cualquier material combustible, estanterías o armarios. Asegúrese de que no hay hojas o desechos cerca de la bomba.
3. Asegúrese de que el motor está conectado de forma segura a un circuito con protección GFCI adecuada. Compruebe el GFCI periódicamente presionando el interruptor de prueba cuando la bomba está funcionando. Al hacer esto se debe apagar la bomba. Si el GFCI no apaga la bomba, haga que un electricista reemplace el GFCI tan pronto como sea posible. Recuerde reiniciar el GFCI pulsando el botón de reinicio.
4. Busque señales de fugas en las tuberías. Reemplazar o reparar, si es necesario.
5. Limpie el exterior de la bomba, si es necesario, con una solución de vinagre y agua.

DRENAJE

Si la unidad es expuesta al congelamiento, entonces será necesario drenar la bomba y el tanque. Para hacerlo apague la electricidad de la bomba en el panel principal de servicio eléctrico. Abra un grifo en el sistema de agua para reducir la presión. Quite los tapones de drenaje y cargado del casco de la bomba. Quite el tapón de drenaje del tanque de presión (si lo tuviera). Deje que pase tiempo suficiente para que el sistema se drene antes de volver a poner los tapones.

LUBRICACIÓN

La bomba no la necesita.

CÓMO REEMPLAZAR EL SELLO MECÁNICO (Ver Figura 8)

⚠️ ADVERTENCIA SÓLO LAS PERSONAS DEBIDAMENTE CALIFICADAS DEBEN REALIZAR MANTENIMIENTO A LOS DISPOSITIVOS ELÉCTRICOS Y/O MECÁNICOS.

Desensamblaje:

1. Corte la electricidad la bomba en el panel principal de servicio y desconecte el suministro eléctrico al motor.
2. Abra un grifo en el sistema de agua para reducir la presión.
3. Retire los tapones de drenaje y de carga para que la bomba se drene.
4. Saque los pernos (1) y desmonte el casco de la bomba (2).
5. Retire los sujetadores de la cubierta del ventilador de la parte trasera del motor u retire la cubierta de ventilador (3).
6. Retire la turbina (4) sujetando firmemente el ventilador del motor (5) y girando la turbina en sentido de las manecillas del reloj.
7. Deslice sello rotativo (9) fuera del eje.
8. Saque los pernos de fijación del motor (6) y desmóntelo del adaptador (7) golpeando levemente el extremo del eje del motor con un mazo.
9. Retire la placa del adaptador y la junta tórica.

Ensamblaje:

1. Limpie todas las piezas minuciosamente antes de volver a ensamblarlas.
2. Lubrique ligeramente (con agua jabonosa) la tapa de caucho en el asiento de cerámica (8) e introdúzcalo en el adaptador (7) usando sólo los dedos pulgares. Asegúrese que la superficie lisa del asiento de cerámica quede hacia afuera.

⚠️ PRECAUCIÓN No utilice limpiadores a base de petróleo o lubricantes.

⚠️ PRECAUCIÓN Tenga cuidado de no contaminar la cara de cierre de cerámica.

NOTA: Si la bomba va a estar fuera de servicio por más de una semana, instale los componentes del sello secos (sin lubricación).

3. Vuelva a ensamblar el motor (6) con el adaptador. Alinee las lengüetas de la placa del adaptador con la ranura en la parte inferior de la carcasa del motor.
4. Lubrique los componentes de goma del cierre rotatorio (9) (con agua jabonosa) y deslícelo sobre el eje con el anillo de 'carbono' hacia el asiento de cerámica.

⚠ PRECAUCIÓN Tenga cuidado de no contaminar la cara de cierre de cerámica.

5. Reemplace la turbina (4) y la cubierta con sujetadores. Lubrique y sustituya la junta tórica.
6. Reinstale el casco de la bomba (2) asegurándose que el anillo "O" de la junta no esté dañado y que quede en su lugar.
7. Reinstale los tapones de drenaje y de carga.
8. Reconecte la electricidad.
9. Cargue la bomba.

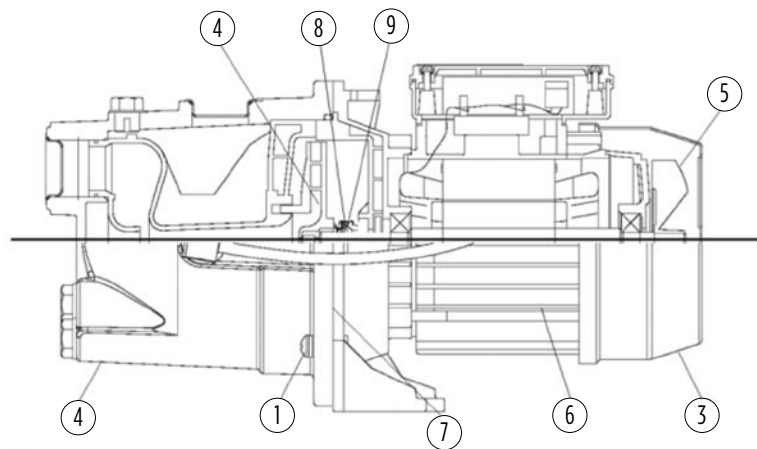


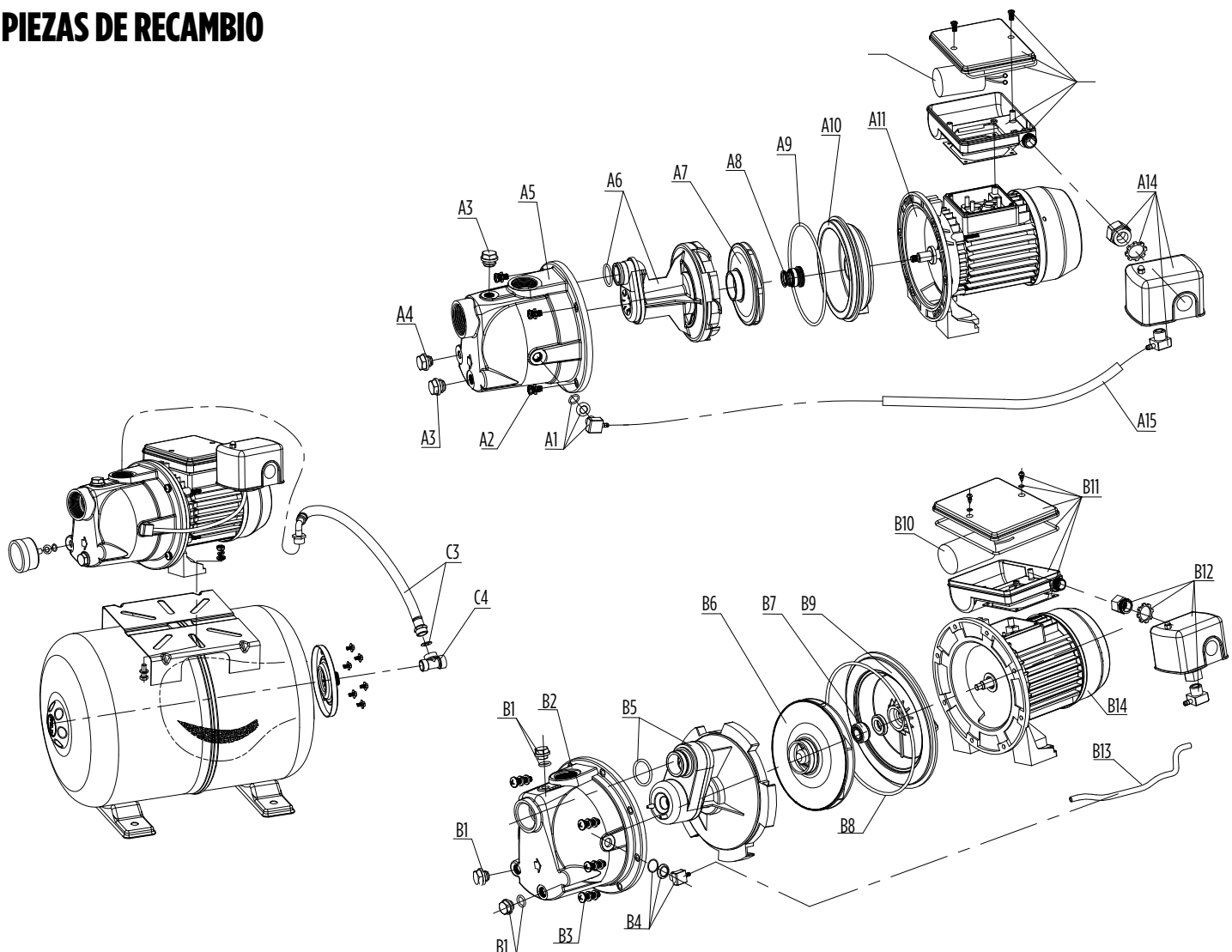
Figura 8

GUÍA PARA DETECTAR PROBLEMAS

PROBLEMA	CAUSA POSIBLE
El motor no arranca	No llega electricidad al interruptor de presión debido a fusibles quemados, interruptores abiertos o conexiones sueltas.
	Interruptor de presión de la bomba abierto.
La bomba no bombea agua	La bomba no ha sido completamente cargada.
	La columna de succión es muy alta.
	La válvula de pie no está sumergida, está enterrada en barro o atorada.
	La válvula reductora está completamente cerrada.
La bomba se descarga	Fuga de aire en la línea de succión.
	El nivel de agua del pozo baja demasiado.
	Válvula de pie defectuosa.
Para las instalaciones de tubería con orificios en un extremo donde la bomba está perdiendo presión o no puede cebar	Haga que un electricista instale un interruptor de corte por baja presión para apagar la bomba antes de que ocurra un fallo crítico.
	Instale o ajuste una válvula limitadora para compensar la capacidad disponible.
	Añada un tanque más grande (20 galones o mayor) de capacidad adicional.

PROBLEMA	CAUSA POSIBLE
La cantidad de agua que descarga la bomba es menor que la capacidad indicada	Fugas en la línea de succión o de descarga
	La válvula de pie, tubería de succión, propulsor o boquilla se encuentran parcialmente atoradas.
	La columna de succión es mayor que lo recomendado.
	Baja velocidad del impulsor o rotación incorrecta.
	El venturi o el difusor están bloqueado.
	El cableado del motor es inapropiado para el voltaje.
	Bajo voltaje en la línea del motor.
La bomba arranca y para muy seguido	El cartucho de filtración (si se utiliza) debe cambiarse o no está instalado correctamente.
	Fuga de aire por encima de la línea de agua en el tanque.
	Posición incorrecta del interruptor de presión.
	El tanque tiene demasiada agua o está cargado incorrectamente.
La bomba arranca y para muy seguido	La válvula de pie tiene fugas o se ha atracado en la posición de abierto
	Control de volumen de aire defectuoso.

PIEZAS DE RECAMBIO



Contenidos	Artículo	Piezas de Recambio	Donde Utilizado
A5 & A10	305585001	Estuche/placa de sellado	RL-SWJ50 & RL-SWJ75
A2, A3, A4 & A9	305585002	Kit de tornillería	RL-SWJ50 & RL-SWJ75
A6, A7 & A8	305585005	Kit de revisión general	RL-SWJ50
A6, A7 & A8	305585006	Kit de revisión general	RL-SWJ75
A7	305585008	Kit de impulsor	RL-SWJ50
A7	305585009	Kit de impulsor	RL-SWJ75
A8	305585011	Kit de sello del eje	RL-SWJ50 & RL-SWJ75
A1, A14 & A15	305585012	Kit del interruptor de presión	RL-SWJ50 & RL-SWJ75
B2 & B9	305585003	Estuche/placa de sellado	RL-SWJ100
B1, B3 & B8	305585004	Kit de tornillería	RL-SWJ100
B5, B6 & B7	305585007	Kit de revisión general	RL-SWJ100
B6	305585010	Kit de impulsor	RL-SWJ100
B7	305585011	Kit de sello del eje	RL-SWJ100
B4, B12 & B13	305585012	Kit del interruptor de presión	RL-SWJ100
C3, C4	305592001	Kit de tornillería de bomba y tanque	RL-SWJ50/RL6H

GARANTÍA LIMITADA

Para consideraciones de la garantía, la marca de Red Lion® (denominada de ahora en adelante “la Marca”), garantiza que los productos especificados en esta garantía están libres de defectos en los materiales y en la mano de obra de la Marca. Durante el período, y sujeto a los términos estipulados en este documento, la Marca reparará o reemplazará al cliente o usuario original cualquier parte del producto que presente defectos materiales o de fabricación atribuibles a la Marca. En todo momento, la Marca tendrá y poseerá el único derecho y opción de determinar si repara o reemplaza el equipo, piezas o componentes defectuosos. La Marca tiene la opción de inspeccionar cualquier producto devuelto bajo los términos de la garantía para confirmar que esté cubierto por la garantía antes aprobar la reparación o reemplazo según la garantía. Esta garantía constituye la única obligación de la Marca y es el único recurso que tiene el cliente si el producto tiene defectos. Devuelva el producto defectuoso al sitio de compra para que sea considerado bajo la garantía.

DURACIÓN DE LA GARANTÍA – PRODUCTOS: 24 meses a partir de la fecha de compra por el cliente. (Los cepillos, el impulsor o la leva en los modelos con motor de cepillo y/o los impulsores de aletas flexibles no están cubiertos por la garantía.) En caso de que no exista un comprobante adecuado de la fecha de compra, el período efectivo de esta garantía comenzará a partir de la fecha de fabricación del producto.

MANO DE OBRA Y OTROS COSTOS: La Compañía DE NINGUNA MANERA será responsable por el costo de la mano de obra en el campo u otros cargos en que incurra cualquier cliente al retirar y/o instalar algún producto, pieza o componente.

MEJORAS AL PRODUCTO: La Compañía se reserva el derecho de cambiar o mejorar sus productos, o cualquier parte de los mismos, sin que por ello tenga la obligación de realizar dicho cambio o mejora en las unidades vendidas y/o despachadas con anterioridad.

TÉRMINOS Y CONDICIONES GENERALES: Esta garantía no tiene efecto si los daños se deben a fuerza mayor, desgaste por uso normal, servicios de mantenimiento normal y la piezas utilizadas para dicho servicio, rayos o condiciones que estén fuera del alcance de la Compañía, como tampoco tendrá vigencia en aquellos productos que, a criterio exclusivo de la Compañía, hayan sido sujetos a negligencia, maltrato, accidente, mal uso, manipulación indebida, alteración o instalación, funcionamiento, mantenimiento o almacenamiento indebidos, o si se sobrepasan los valores máximos recomendados, estipulados en estas instrucciones.

Esta garantía quedará ANULADA si se hallan cualesquiera de las siguientes condiciones:

1. El producto se utiliza para propósitos distintos a aquellos para los cuales fue diseñado y fabricado
2. El producto no fue instalado de conformidad con las normas, reglamentos y prácticas comerciales aceptadas
3. El producto se conecta a un voltaje distinto al que se indica en la placa de identificación
4. La bomba se utilizó con fluidos distintos al agua dulce a temperatura ambiente aproximadamente
5. La bomba funcionó sin líquido (se cortó el suministro de líquido)
6. El cliente abrió el alojamiento sellado del motor o desarmó el producto
7. El cable se cortó a un largo menor que 0,9 m (3 pies)

EXENCIÓN DE RESPONSABILIDAD: Toda afirmación verbal con respecto al producto, por parte del vendedor, la Compañía, los representantes o cualquier otra parte, no constituye garantía alguna, no debe ser considerada como tal por el usuario y no forma parte del contrato de venta. La única obligación del vendedor y la Compañía, y el único recurso del comprador, será el reemplazo y/o reparación que hará la Compañía del producto, tal como se describió anteriormente. NI EL VENDEDOR NI LA COMPAÑÍA SERÁN RESPONSABLES POR CUALQUIER LESIÓN, PÉRDIDA O DAÑO DIRECTO, INCIDENTAL O INDIRECTO (LO QUE INCLUYE, SIN LIMITACIÓN, DAÑOS INCIDENTALES O INDIRECTOS POR PÉRDIDA DE GANANCIAS, DE VENTAS, LESIONES PERSONALES O MATERIALES, O CUALQUIER OTRO DAÑO INCIDENTAL O INDIRECTO) QUE RESULTARA DEL USO O INCAPACIDAD DE USAR EL PRODUCTO, Y EL USUARIO ACUERDA QUE NO HAY NINGÚN OTRO RECURSO. Antes de usarlo, el usuario deberá determinar la idoneidad del producto para el uso propuesto y asumirá todos los riesgos y toda la responsabilidad que ello implique. LA GARANTÍA Y RECURSO DESCRITOS EN ESTA GARANTÍA LIMITADA REPRESENTAN UNA GARANTÍA Y RECURSO EXCLUSIVOS Y SE OFRECEN EN LUGAR DE CUALQUIER OTRA GARANTÍA O RECURSO, EXPLÍCITO O IMPLÍCITO. POR EL PRESENTE, SE EXCLUYEN EXPLÍCITAMENTE OTRAS GARANTÍAS Y RECURSOS, INCLUSO, PERO SIN LIMITARSE A CUALQUIER GARANTÍA IMPLÍCITA DE COMERCIALIZACIÓN O IDONEIDAD PARA UN PROPÓSITO ESPECÍFICO. EN LA MEDIDA EN QUE CORRESPONDA A UN PRODUCTO, LA GARANTÍA ESTARÁ LIMITADA EN DURACIÓN A LOS PERÍODOS DE LAS GARANTÍAS EXPRESAS DESCRITAS ANTERIORMENTE. Algunos estados y países no permiten la exclusión o las limitaciones sobre la duración de las garantías implícitas ni la exclusión o limitación de responsabilidades por daños incidentales o indirectos, por lo que puede que las exclusiones o limitaciones anteriores no correspondan en su caso particular. Esta garantía le otorga a usted derechos legales específicos y es posible que usted también tenga otros derechos que varían según el estado o país.

Para la ayuda técnica, partes o la reparación, por favor póngase en contacto..... 1.888.956.0000 | www.RedLionProducts.com
