

0.5/0.75/1/1.5 HP
SPS 5/7/10/15
SHALLOW WELL JET PUMP



SHAKTI

THE POWER OF INNOVATION, EFFICIENCY & TECHNOLOGY.

0.5/0.75/1/1.5 HP **SPS 5/7/10/15** SHALLOW WELL JET PUMP

FEATURES

Designed for residential use including water supply by boosting main pipeline, farmland irrigation, etc. having a maximum suction lift of 25 feet; the shallow well jet pump has a built-in nozzle & venturi. With short time on self-priming and stable working performance the pump has variegated features which make it convenient to use.

- Ultra-modern design.
- Superior design materials & manufacturing process assures a longer life.
- Easy installation
- Dynamically balanced rotating parts to ensure minimum vibration during run time.
- Easy maintenance and spares availability.

Serviceable:

- The pumps have back pull out design enabling the removal of motor without dismantling the pump.
- Clean out plug to easily unclog nozzle in pump

SPECIFICATIONS

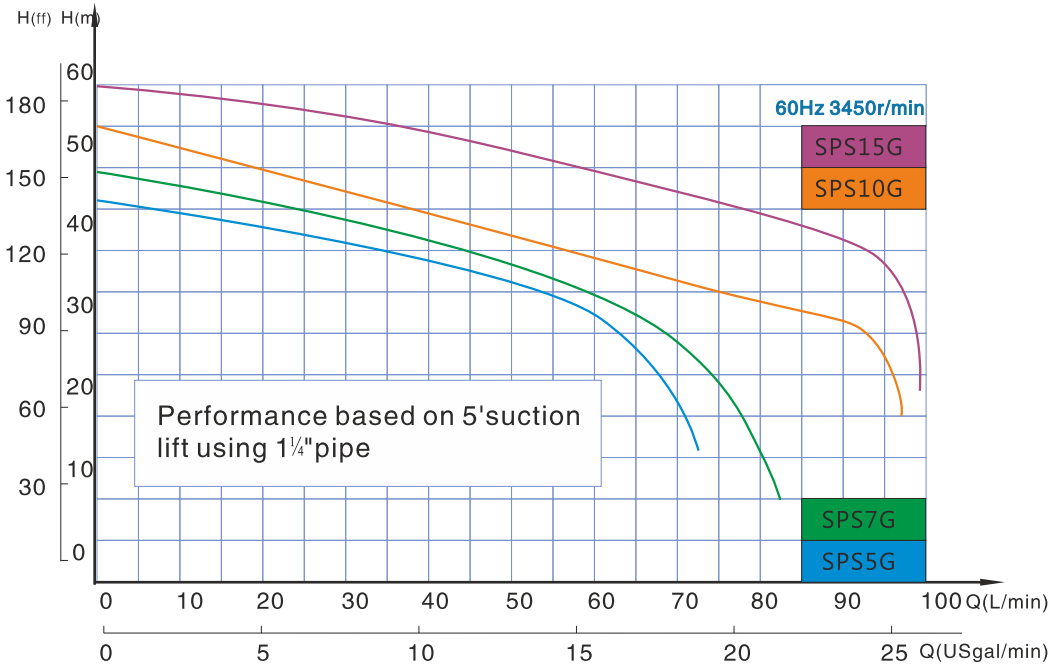
- Pipe connections: 1¼" NPT suction and 1" NPT discharge
- NEMA standard single phase motor with start/run capacitor, 60 Hz, 3450 RPM
- ½ - 1½ HP, 115/230 V capacitor start
- Single phase 3500 RPM
- Built-in overload with automatic reset
- Stainless steel shaft
- Thermoplastic impeller, diffuser, nozzle and venturi for lightweight, high performance strength and impact resistance.

Maximum temperature: 140°F.

SHALLOW WELL PERFORMANCE RATINGS

HP/Model	½ HP – SPS5					¾ HP – SPS7					1 HP – SPS10					1½ HP – SPS15				
Voltage	115/230					115/230					115/230					115/230				
Total Suction Lift (feet)	Discharge Pressure – PSI					Discharge Pressure – PSI					Discharge Pressure – PSI					Discharge Pressure – PSI				
	20	30	40	50	Max. Shut off (PSI)	30	40	50	60	Max. Shut off (PSI)	30	40	50	60	Max. Shut off (PSI)	30	40	50	60	Max. Shut off (PSI)
	Gallons per minute					Gallons per minute					Gallons per minute					Gallons per minute				
5	18	17	11	5	64	21	18	12	7	70	25	24	16	10	74	27	26	25	16	80
10	16	15	9	4	61	19	17	11	5	68	23	22	16	8	72	25	25	23	14	76
15	14	13	8	4	59	17	15	9.5	4	66	20	20	14	7	70	22	21	21	13	74
20	11	11	7	3	56	14	13	8.2	2	64	17	17	12	6	68	18	18	17	12	72
25	9	8.8	6	1	54	10	9.8	6.2	1	59	12	12	10	4	65	14	14	14	10	71

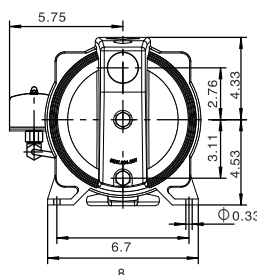
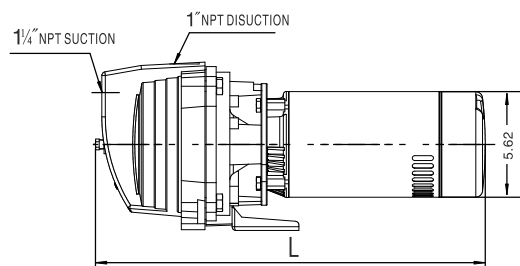
PERFORMANCE CURVE



DIMENSIONS AND WEIGHTS

Model	½ HP	¾ HP	1 HP	1½ HP
Length	21	21	21	21.65

DIMENSIONAL DRAWING



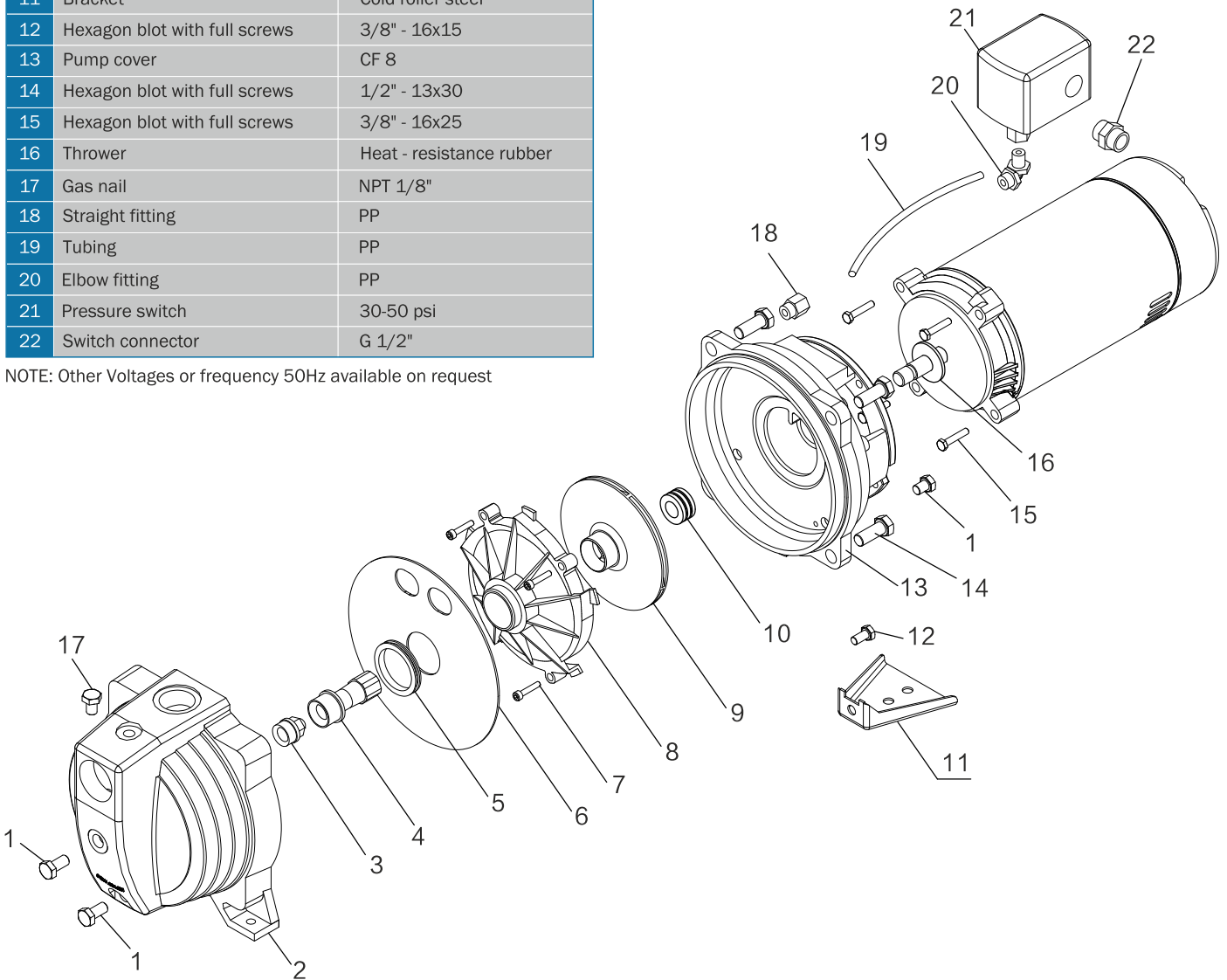
MODEL	L
SPS5G	21
SPS7G	21
SPS10G	21
SPS15G	21.65

Note : The above dimensions unit is Inch (In.)

EXPLODED DRAWING AND SPARE PARTS

1	Gas nail	NPT 1/4" , Zinc plated
2	Pump body	CF 8
3	Nozzle	ABS
4	Vanturi tube	PPO
5	Separator plate seal ring	Rubber
6	Separator plate	NBR
7	Cross recess head screw	M6X20, S.S
8	Diffuser	PPO
9	Impeller	PPO+20%GF
10	Mechanical seal	Graphite/Ceramic
11	Bracket	Cold roller steel
12	Hexagon blot with full screws	3/8" - 16x15
13	Pump cover	CF 8
14	Hexagon blot with full screws	1/2" - 13x30
15	Hexagon blot with full screws	3/8" - 16x25
16	Thrower	Heat - resistance rubber
17	Gas nail	NPT 1/8"
18	Straight fitting	PP
19	Tubing	PP
20	Elbow fitting	PP
21	Pressure switch	30-50 psi
22	Switch connector	G 1/2"

NOTE: Other Voltages or frequency 50Hz available on request



SHAKTI PUMPS USA LLC.

740, Florida Central Parkway, Suite # 1008, Longwood, FL 32750, USA, Ph: 407 574 4001, 407 574 2797
E-mail : usa@shaktipumps.com, Visit us at : www.shaktipumps.us