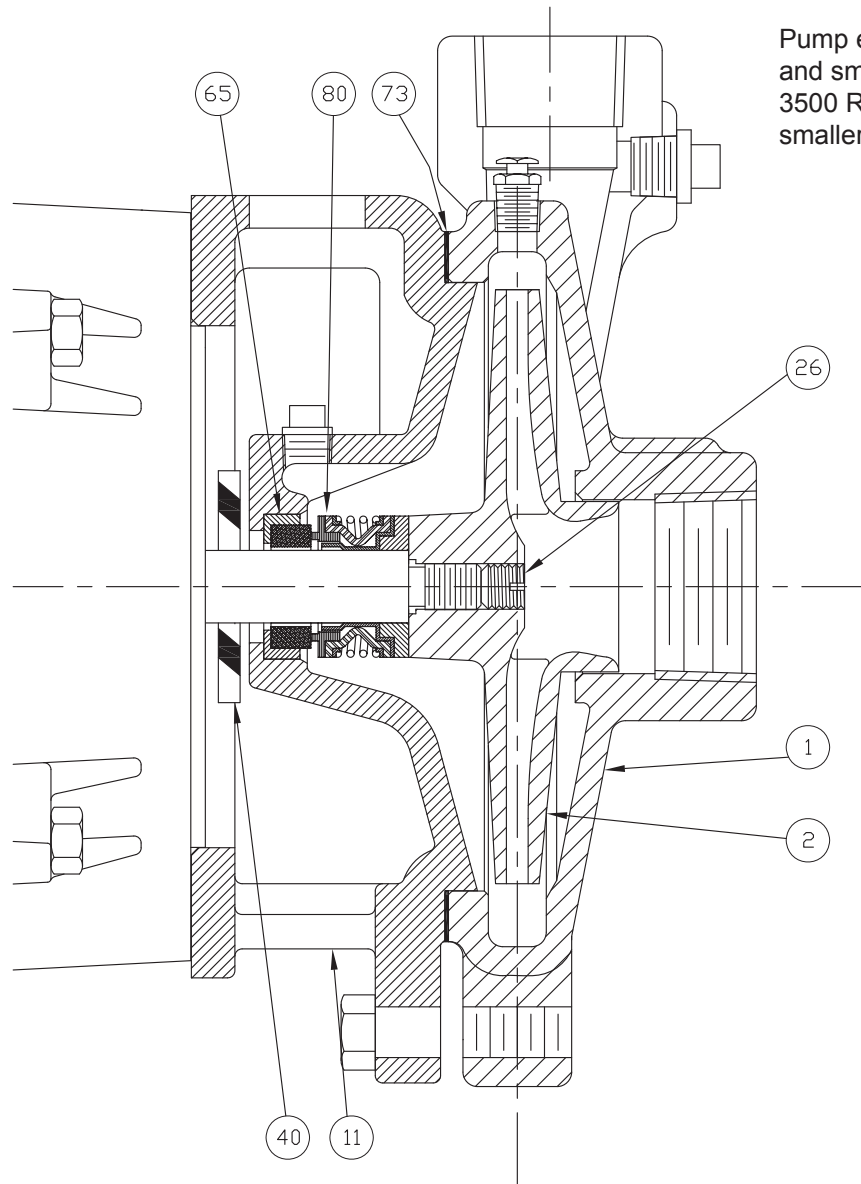


Close-Coupled End Suction, Threaded Connections



Pump end with 2 HP and smaller motor at 3500 RPM or 1 HP and smaller at 1750 RPM.

Item No.	Part Name	Material	Item No.	Part Name	Material
1	Casing	Cast Iron	†* 65	Mech. Shaft Seal (Stationary Element)	Ni-Resist
* 2	Impeller	Bronze		Casing Gasket	Cork-Cellulose
11	Casing Cover	Cast Iron	* 73	Mech. Shaft Seal (Rotating Element)	Carbon
* 26	Impeller Screw	Stainless	†* 80		
40	Deflector (Liquid)	Neoprene			

* For Domestic Service we recommend these parts be carried in stock as spares.

† Furnished only in pairs as complete units.

NOTE: All pumps have a maximum working pressure - 125 PSIG.



WARNING:

CANCER AND REPRODUCTIVE HARM - WWW.P65WARNINGS.CA.GOV

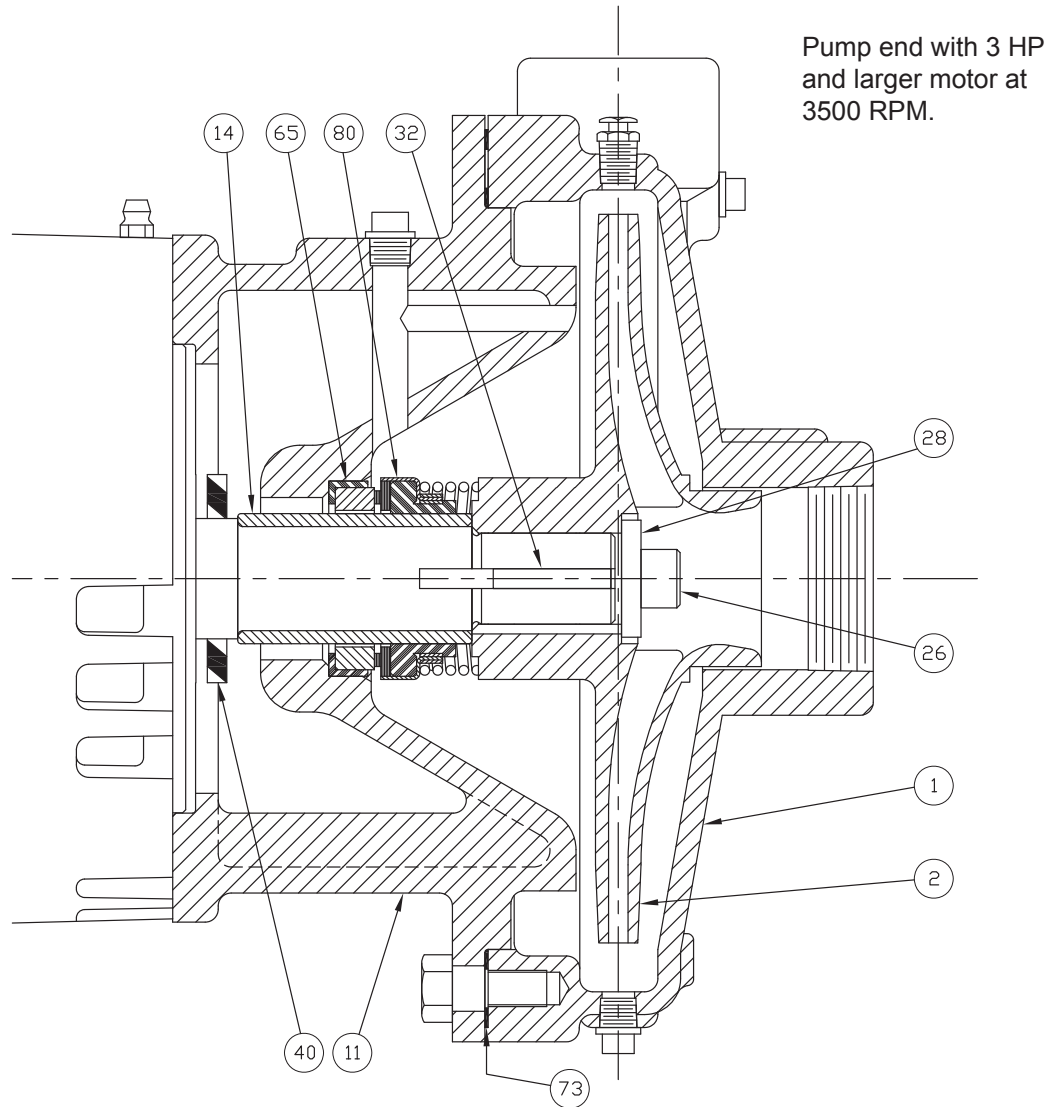
Pump Assembly

Types AC & AE Unipumps with Type 21 Mechanical Shaft Seal and NEMA Type "JM" Motor- Bulletin 100

WEINMAN®

www.cranepumps.com

Close-Coupled End Suction, Threaded Connections



Item No.	Part Name	Material	Item No.	Part Name	Material
1	Casing	Cast Iron	†* 65	Mech. Shaft Seal (Stationary Element)	Ni-Resist
* 2	Impeller	Bronze	* 73	Casing Gasket	Cork-Cellulose
11	Casing Cover	Cast Iron	†* 80	Mech. Shaft Seal (Rotating Element)	Carbon
* 26	Impeller Screw	Stainless			
* 28	Impeller Screw Washer	Stainless			
* 32	Impeller Key	Stainless			
40	Deflector (Liquid)	Neoprene			

* For Domestic Service we recommend these parts be carried in stock as spares.

† Furnished only in pairs as complete units.

NOTE: All pumps have a maximum working pressure - 125 PSIG.



WARNING:

CANCER AND REPRODUCTIVE HARM -
WWW.P65WARNINGS.CA.GOV

SECTION 100
PAGE 4
DATE 10/18

CRANE®

A Crane Co. Company

PUMPS & SYSTEMS

USA: (937) 778-8947 • Canada: (905) 457-6223 • International: (937) 615-3598