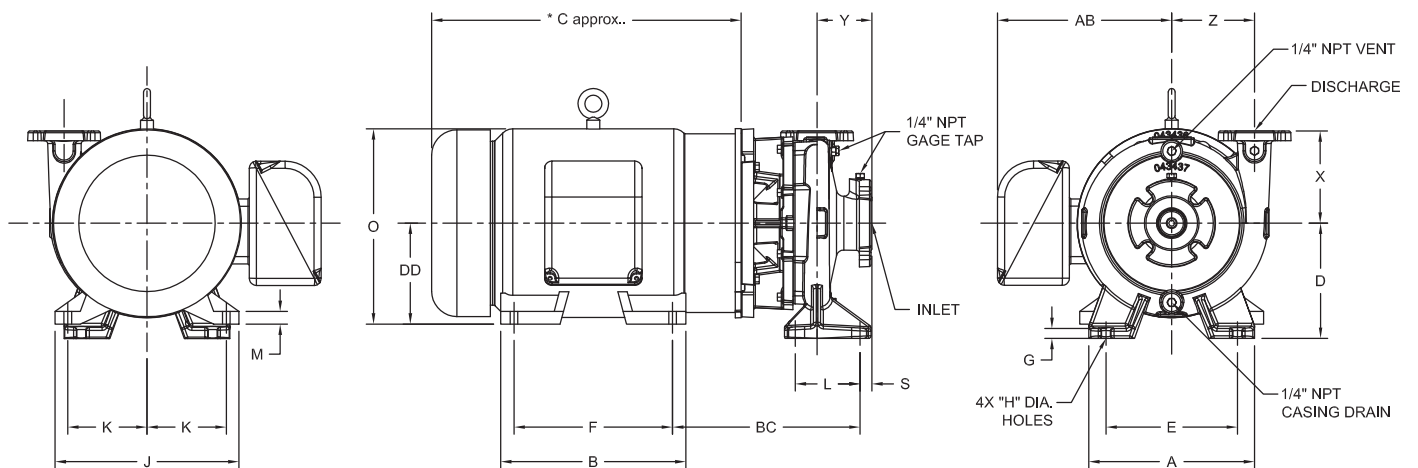


### End Suction Back Pull-Out

PUMP NO.				PUMP:				HP:			
FOR:				TDH:				VOLTS/PHASE:			
CERT. BY:				DATE:				GPM:			
								HZ:			
								FRAME:			
								ENCLOSURE:			

CONNECTIONS FOR 125# STANDARD FLANGES

Pump	Disch. (INCH)	Inlet (INCH)	A	D	E	G	H	L	S	X	Y	Z
1.5R	1.5	2.0	16.50	10.00	14.00	0.85	0.62	5.00	2.50	7.50	5.00	6.75



NOTES:

- 1) All Dimension  $\pm .13$
- 2) Motor dimensions F, K and DD are NEMA Standard, all other motor dimensions may vary based on motor brand

CONNECTIONS FOR 125# STANDARD FLANGES

Motor Frame	B	* C approx	F	J	K	M	O	AB	BC	DD
143JM	5.94	14.30	4.00	7.00	2.75	0.38	7.12	6.26	9.46	3.50
145JM	3.14	15.30	5.00	7.00	2.75	0.38	7.12	6.26	9.46	3.50
182JM	6.50	16.00	4.50	9.00	3.75	0.63	9.34	7.57	10.21	4.50
184JM	6.97	17.02	5.50	9.00	3.75	0.63	9.34	7.57	10.21	4.50
213JM	8.00	21.56	5.50	10.50	4.25	0.67	10.84	8.58	11.09	5.25
215JM	8.86	21.56	7.00	10.50	4.25	0.67	10.84	8.58	11.09	5.25
254JM	11.50	24.37	8.25	12.50	5.00	0.88	12.88	10.48	12.42	6.25
256JM	11.75	26.10	10.00	12.50	5.00	0.88	12.88	10.48	12.42	6.25
284JM	12.84	27.17	9.50	14.00	5.50	1.02	14.63	13.13	12.42	7.00
286JM	13.75	28.70	11.00	14.00	5.50	1.02	14.63	13.13	12.42	7.00

# Type "R"

Models 1.5R  
Metric (Millimeters)

# WEINMAN®

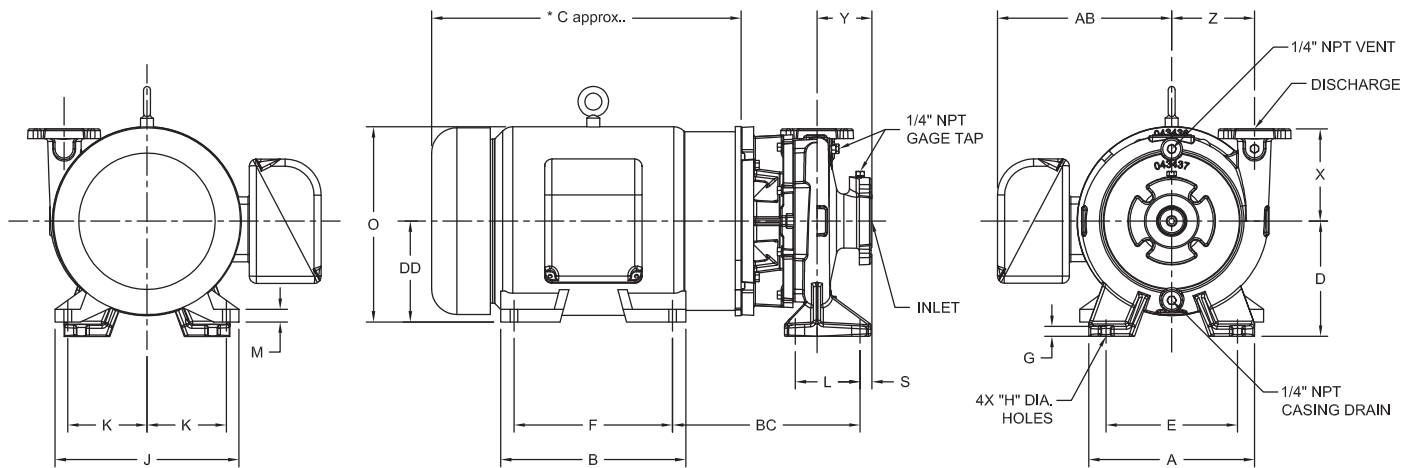
www.cranepumps.com

## End Suction Back Pull-Out

PUMP NO.		PUMP:		HP:	
FOR:		TDH:		VOLTS/PHASE:	
CERT. BY:		GPM:		HZ:	
DATE:		PUMP SIZE:		FRAME:	
		RPM:		ENCLOSURE:	

### CONNECTIONS FOR 125# STANDARD FLANGES

Pump	Disch. (INCH)	Inlet (INCH)	A	D	E	G	H	L	S	X	Y	Z
1.5R	1.5	2.0	419	254	356	22	16	127	64	191	127	172



#### NOTES:

- 1) All Dimension  $\pm 3\text{mm}$
- 2) Motor dimensions F, K and DD are NEMA Standard, all other motor dimensions may vary based on motor brand

### CONNECTIONS FOR 125# STANDARD FLANGES

Motor Frame	B	* C approx	F	J	K	M	O	AB	BC	DD
143JM	151	363	102	178	70	10	181	159	240	89
145JM	80	389	127	178	70	10	181	159	240	89
182JM	165	406	114	229	95	16	237	192	259	114
184JM	177	432	140	229	95	16	237	192	259	114
213JM	203	548	140	267	108	17	275	218	282	133
215JM	225	548	178	267	108	17	275	218	282	133
254JM	292	619	210	318	127	22	327	266	315	159
256JM	298	663	254	318	127	22	327	266	315	159
284JM	326	690	241	356	140	26	372	334	315	178
286JM	349	729	279	356	140	26	372	334	315	178

SECTION 375  
PAGE 66  
DATE 11/16

**CRANE**  
A Crane Co. Company

PUMPS & SYSTEMS

A Crane Co. Company

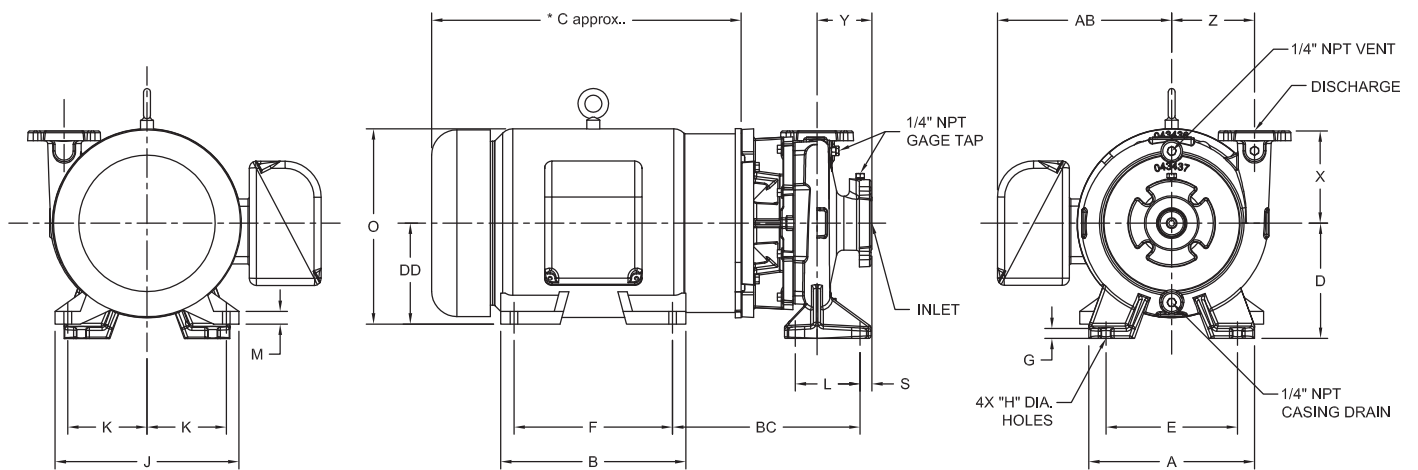
USA: (937) 778-8947 • Canada: (905) 457-6223 • International: (937) 615-3598

### End Suction Back Pull-Out

PUMP NO.				PUMP:				HP:			
FOR:				TDH:				VOLTS/PHASE:			
CERT. BY:				DATE:				HZ:			
				PUMP SIZE:				FRAME:			
				RPM:				ENCLOSURE:			

#### CONNECTIONS FOR 125# STANDARD FLANGES

Pump	Disch. (INCH)	Inlet (INCH)	A	D	E	G	H	L	S	X	Y	Z
2.5R	2.5	3.0	16.50	10.00	14.00	0.85	0.62	5.00	2.56	9.00	5.50	7.25



**NOTES:**

- 1) All Dimension  $\pm .13$
- 2) Motor dimensions F, K and DD are NEMA Standard, all other motor dimensions may vary based on motor brand

#### CONNECTIONS FOR 125# STANDARD FLANGES

Motor Frame	B	* C approx	F	J	K	M	O	AB	BC	DD
143JM	5.94	14.30	4.00	7.00	2.75	0.38	7.12	6.26	9.88	3.50
145JM	3.14	15.30	5.00	7.00	2.75	0.38	7.12	6.26	9.88	3.50
182JM	6.50	16.00	4.50	9.00	3.75	0.63	9.34	7.57	10.63	4.50
184JM	6.97	17.02	5.50	9.00	3.75	0.63	9.34	7.57	10.63	4.50
213JM	8.00	21.56	5.50	10.50	4.25	0.67	10.84	8.58	11.51	5.25
215JM	8.86	21.56	7.00	10.50	4.25	0.67	10.84	8.58	11.51	5.25
254JM	11.50	24.37	8.25	12.50	5.00	0.88	12.88	10.48	12.84	6.25
256JM	11.75	26.10	10.00	12.50	5.00	0.88	12.88	10.48	12.84	6.25
284JM	12.84	27.17	9.50	14.00	5.50	1.02	14.63	13.13	12.84	7.00
286JM	13.75	28.70	11.00	14.00	5.50	1.02	14.63	13.13	12.84	7.00

# Type "R"

Models 2.5R  
Metric (Millimeters)

# WEINMAN®

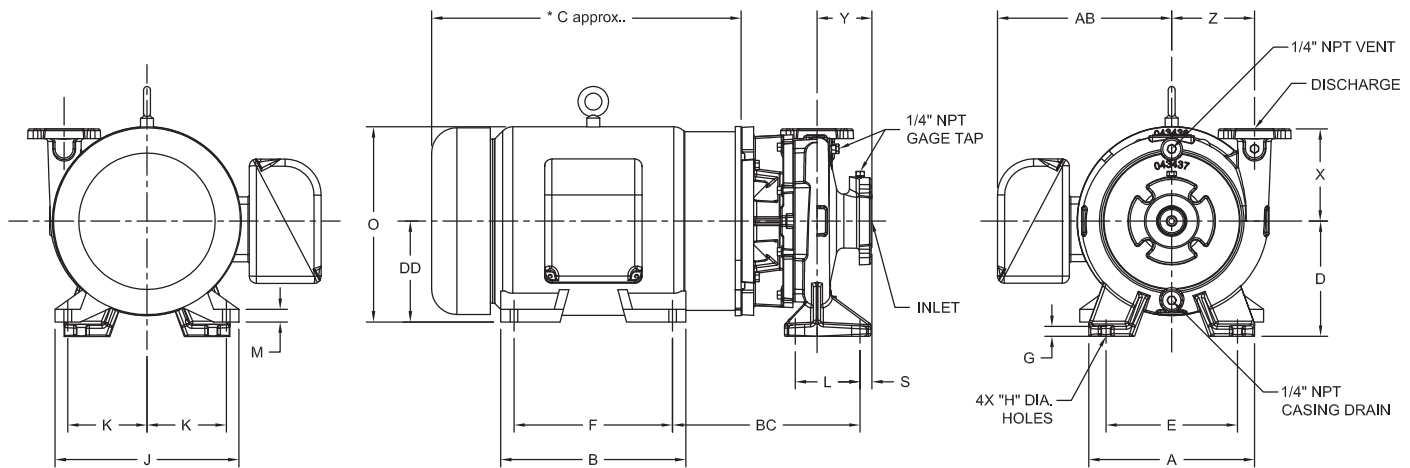
www.cranepumps.com

## End Suction Back Pull-Out

PUMP NO.		PUMP:		HP:	
FOR:		TDH:		VOLTS/PHASE:	
CERT. BY:		GPM:		HZ:	
DATE:		PUMP SIZE:		FRAME:	
		RPM:		ENCLOSURE:	

### CONNECTIONS FOR 125# STANDARD FLANGES

Pump	Disch. (INCH)	Inlet (INCH)	A	D	E	G	H	L	S	X	Y	Z
2.5R	2.5	3.0	419	254	356	22	16	127	65	229	140	184



**NOTES:**

- 1) All Dimension  $\pm 3\text{mm}$
- 2) Motor dimensions F, K and DD are NEMA Standard, all other motor dimensions may vary based on motor brand

### CONNECTIONS FOR 125# STANDARD FLANGES

Motor Frame	B	* C approx	F	J	K	M	O	AB	BC	DD
143JM	151	363	102	178	70	10	181	159	251	89
145JM	80	389	127	178	70	10	181	159	251	89
182JM	165	406	114	229	95	16	237	192	270	114
184JM	177	432	140	229	95	16	237	192	270	114
213JM	203	548	140	267	108	17	275	218	292	133
215JM	225	548	178	267	108	17	275	218	292	133
254JM	292	619	210	318	127	22	327	266	326	159
256JM	298	663	254	318	127	22	327	266	326	159
284JM	326	690	241	356	140	26	372	334	326	178
286JM	349	729	279	356	140	26	372	334	326	178

SECTION 375  
PAGE 68  
DATE 11/16

**CRANE**  
A Crane Co. Company

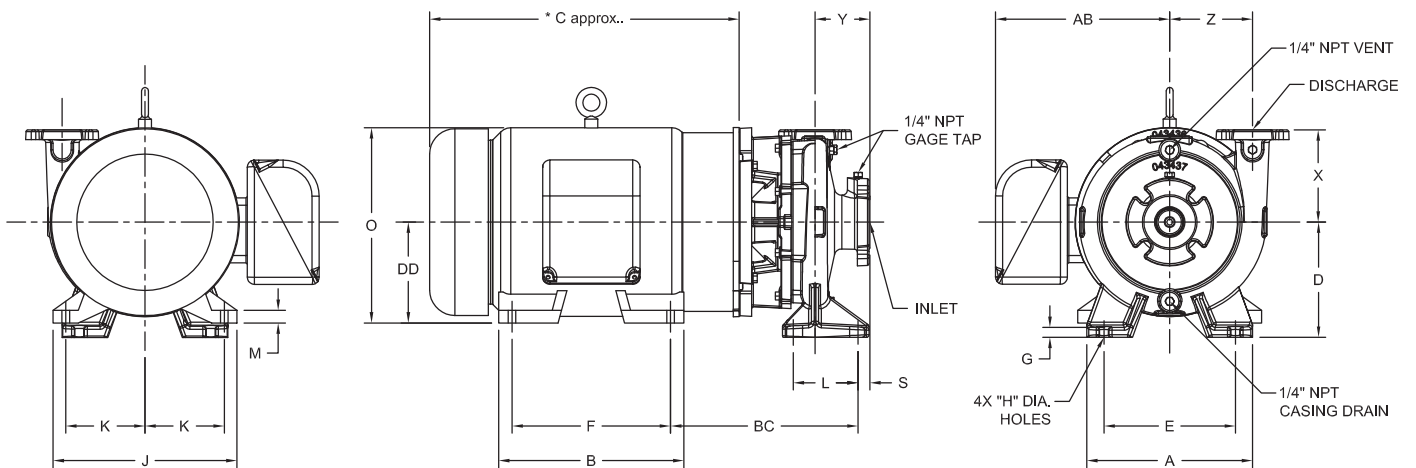
**PUMPS & SYSTEMS**

### End Suction Back Pull-Out

PUMP NO.				PUMP:				HP:			
FOR:				TDH:				VOLTS/PHASE:			
CERT. BY:				DATE:				GPM:			
				PUMP SIZE:				HZ:			
				RPM:				FRAME:			
								ENCLOSURE:			

#### CONNECTIONS FOR 125# STANDARD FLANGES

Pump	Disch. (INCH)	Inlet (INCH)	A	D	E	G	H	L	S	X	Y	Z
3R	3.0	4.0	16.50	10.00	14.00	0.85	0.62	5.00	2.75	9.50	5.63	8.00



**NOTES:**

- 1) All Dimension  $\pm .13$
- 2) Motor dimensions F, K and DD are NEMA Standard, all other motor dimensions may vary based on motor brand

#### CONNECTIONS FOR 125# STANDARD FLANGES

Motor Frame	B	* C approx	F	J	K	M	O	AB	BC	DD
184JM	6.97	17.02	5.50	9.00	3.75	0.63	9.34	7.57	10.75	4.50
213JM	8.00	21.56	5.50	10.50	4.25	0.67	10.84	8.58	11.63	5.25
215JM	8.86	21.56	7.00	10.50	4.25	0.67	10.84	8.58	11.63	5.25
254JM	11.50	24.37	8.25	12.50	5.00	0.88	12.88	10.48	12.96	6.25
256JM	11.75	26.10	10.00	12.50	5.00	0.88	12.88	10.48	12.96	6.25
284JM	12.84	27.17	9.50	14.00	5.50	1.02	14.63	13.13	12.96	7.00
286JM	13.75	28.70	11.00	14.00	5.50	1.02	14.63	13.13	12.96	7.00
324JM	14.00	28.15	10.50	16.00	6.25	1.30	16.50	14.13	13.46	8.00

# Type "R"

Models 3R  
Metric (Millimeters)

# WEINMAN®

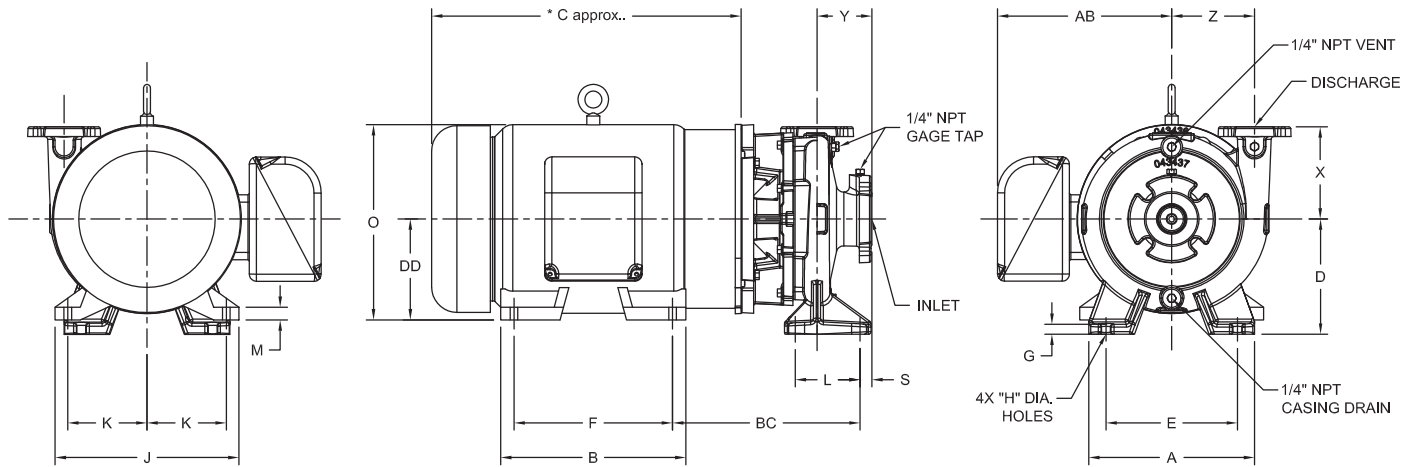
www.cranepumps.com

## End Suction Back Pull-Out

PUMP NO.		PUMP:		HP:	
FOR:		TDH:		VOLTS/PHASE:	
CERT. BY:		GPM:		HZ:	
DATE:		PUMP SIZE:		FRAME:	
		RPM:		ENCLOSURE:	

### CONNECTIONS FOR 125# STANDARD FLANGES

Pump	Disch. (INCH)	Inlet (INCH)	A	D	E	G	H	L	S	X	Y	Z
3R	3.0	4.0	419	254	356	22	16	127	70	241	143	203



- NOTES:
- 1) All Dimension  $\pm$  3mm
  - 2) Motor dimensions F, K and DD are NEMA Standard, all other motor dimensions may vary based on motor brand

### CONNECTIONS FOR 125# STANDARD FLANGES

Motor Frame	B	* C approx	F	J	K	M	O	AB	BC	DD
184JM	177	432	140	229	95	16	237	192	273	114
213JM	203	548	140	267	108	17	275	218	295	133
215JM	225	548	178	267	108	17	275	218	295	133
254JM	292	619	210	318	127	22	327	266	329	159
256JM	298	663	254	318	127	22	327	266	329	159
284JM	326	690	241	356	140	26	372	334	329	178
286JM	349	729	279	356	140	26	372	334	329	178
324JM	356	715	267	406	159	33	419	359	342	203

SECTION 375  
PAGE 70  
DATE 11/16

**CRANE**  
A Crane Co. Company

PUMPS & SYSTEMS

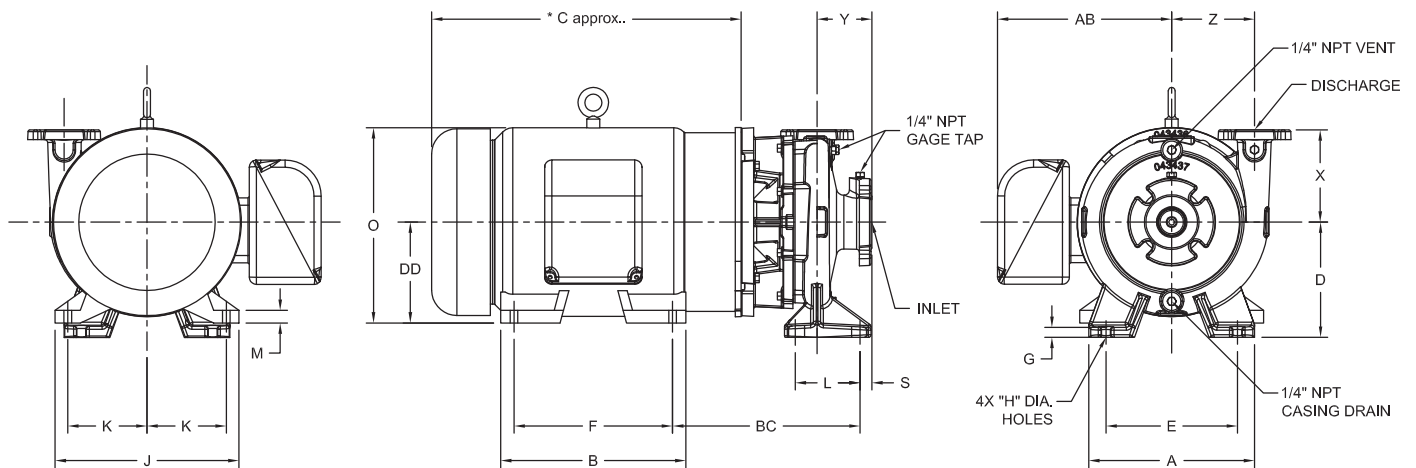
USA: (937) 778-8947 • Canada: (905) 457-6223 • International: (937) 615-3598

### End Suction Back Pull-Out

PUMP NO.				PUMP:				HP:			
FOR:				TDH:				VOLTS/PHASE:			
CERT. BY:				DATE:				GPM:			
				PUMP SIZE:				HZ:			
				RPM:				FRAME:			
								ENCLOSURE:			

#### CONNECTIONS FOR 125# STANDARD FLANGES

Pump	Disch. (INCH)	Inlet (INCH)	A	D	E	G	H	L	S	X	Y	Z
4R	4.0	5.0	16.50	11.00	14.00	0.85	0.62	5.00	3.25	10.00	6.00	8.56



**NOTES:**

- 1) All Dimension  $\pm .13$
- 2) Motor dimensions F, K and DD are NEMA Standard, all other motor dimensions may vary based on motor brand

#### CONNECTIONS FOR 125# STANDARD FLANGES

Motor Frame	B	* C approx	F	J	K	M	O	AB	BC	DD
254JM	11.50	24.37	8.25	12.50	5.00	0.88	12.88	10.48	12.33	6.25
256JM	11.75	26.10	10.00	12.50	5.00	0.88	12.88	10.48	12.33	6.25
284JM	12.84	27.17	9.50	14.00	5.50	1.02	14.63	13.13	12.33	7.00
286JM	13.75	28.70	11.00	14.00	5.50	1.02	14.63	13.13	12.33	7.00
324JM	14.00	28.15	10.50	16.00	6.25	1.30	16.50	14.13	12.83	8.00

# Type "R"

Models 4R  
Metric (Millimeters)

# WEINMAN®

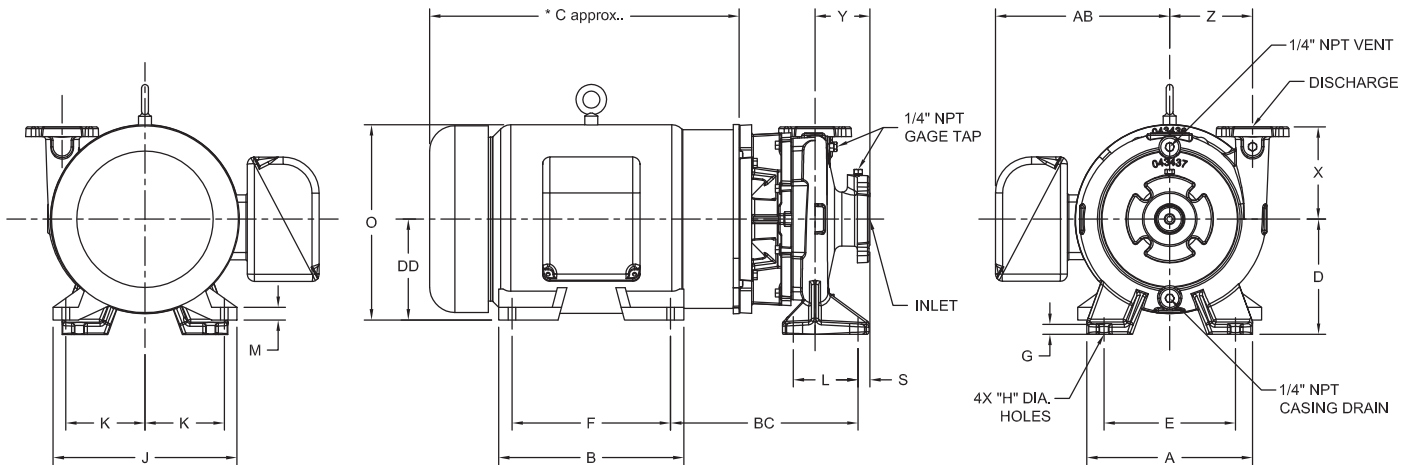
www.cranepumps.com

## End Suction Back Pull-Out

PUMP NO.		PUMP:		HP:	
FOR:		TDH:		VOLTS/PHASE:	
CERT. BY:		GPM:		HZ:	
DATE:		PUMP SIZE:		FRAME:	
		RPM:		ENCLOSURE:	

### CONNECTIONS FOR 125# STANDARD FLANGES

Pump	Disch. (INCH)	Inlet (INCH)	A	D	E	G	H	L	S	X	Y	Z
4R	4.0	5.0	419	279	356	22	16	127	83	254	152	217



**NOTES:**

- 1) All Dimension  $\pm$  3mm
- 2) Motor dimensions F, K and DD are NEMA Standard, all other motor dimensions may vary based on motor brand

### CONNECTIONS FOR 125# STANDARD FLANGES

Motor Frame	B	* C approx	F	J	K	M	O	AB	BC	DD
254JM	292	619	210	318	127	22	327	266	313	159
256JM	298	663	254	318	127	22	327	266	313	159
284JM	326	690	241	356	140	26	372	334	313	178
286JM	349	729	279	356	140	26	372	334	313	178
324JM	356	715	267	406	159	33	419	359	326	203

SECTION 375  
PAGE 72  
DATE 11/16

**CRANE**  
A Crane Co. Company

**PUMPS & SYSTEMS**

USA: (937) 778-8947 • Canada: (905) 457-6223 • International: (937) 615-3598

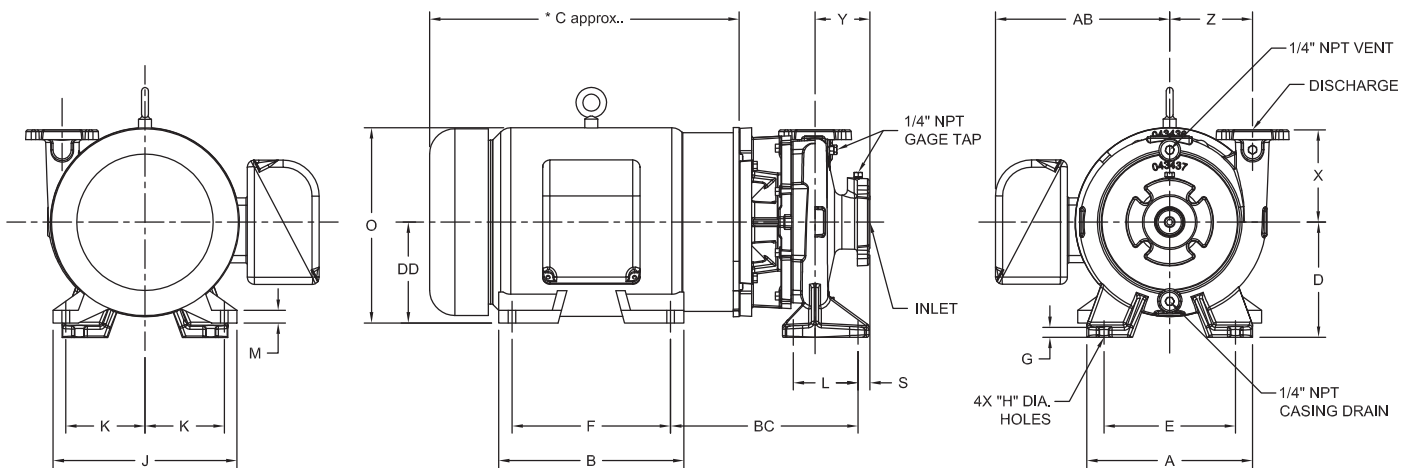


### End Suction Back Pull-Out

PUMP NO.				PUMP:				HP:			
FOR:				TDH:				VOLTS/PHASE:			
CERT. BY:				DATE:				HZ:			
				PUMP SIZE:				FRAME:			
				RPM:				ENCLOSURE:			

#### CONNECTIONS FOR 125# STANDARD FLANGES

Pump	Disch. (INCH)	Inlet (INCH)	A	D	E	G	H	L	S	X	Y	Z
5R	5.0	6.0	24.00	12.00	21.00	1.00	0.75	9.00	1.19	13.00	6.00	9.00



NOTES:

- 1) All Dimension  $\pm .13$
- 2) Motor dimensions F, K and DD are NEMA Standard, all other motor dimensions may vary based on motor brand

#### CONNECTIONS FOR 125# STANDARD FLANGES

Motor Frame	B	* C approx	F	J	K	M	O	AB	BC	DD
254JM	11.50	24.37	8.25	12.50	5.00	0.88	12.88	10.48	15.17	6.25
256JM	11.75	26.10	10.00	12.50	5.00	0.88	12.88	10.48	15.17	6.25
284JM	12.84	27.17	9.50	14.00	5.50	1.02	14.63	13.13	15.17	7.00
286JM	13.75	28.70	11.00	14.00	5.50	1.02	14.63	13.13	15.17	7.00
324JM	14.00	28.15	10.50	16.00	6.25	1.30	16.50	14.13	15.67	8.00
326JM	14.57	29.65	12.00	16.00	6.25	1.30	16.50	14.13	15.67	8.00

# Type "R"

Models 5R  
Metric (Millimeters)

# WEINMAN®

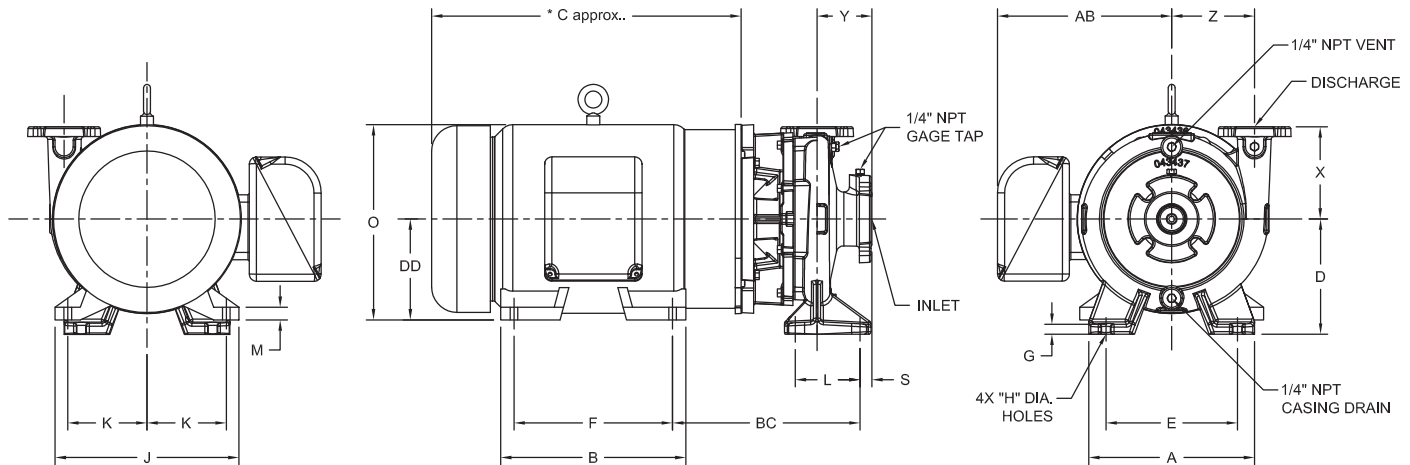
www.cranepumps.com

## End Suction Back Pull-Out

PUMP NO.		PUMP:		HP:	
FOR:		TDH:		VOLTS/PHASE:	
CERT. BY:		GPM:		HZ:	
DATE:		PUMP SIZE:		FRAME:	
		RPM:		ENCLOSURE:	

### CONNECTIONS FOR 125# STANDARD FLANGES

Pump	Disch. (INCH)	Inlet (INCH)	A	D	E	G	H	L	S	X	Y	Z
5R	5.0	6.0	610	305	533	25	19	229	30	330	152	229



**NOTES:**

- 1) All Dimension  $\pm 3\text{mm}$
- 2) Motor dimensions F, K and DD are NEMA Standard, all other motor dimensions may vary based on motor brand

### CONNECTIONS FOR 125# STANDARD FLANGES

Motor Frame	B	* C approx	F	J	K	M	O	AB	BC	DD
254JM	292	619	210	318	127	22	327	266	385	159
256JM	298	663	254	318	127	22	327	266	385	159
284JM	326	690	241	356	140	26	372	334	385	178
286JM	349	729	279	356	140	26	372	334	385	178
324JM	356	715	267	406	159	33	419	359	398	203
326JM	370	753	305	406	159	33	419	359	398	203

SECTION 375  
PAGE 74  
DATE 3/17

**CRANE**  
A Crane Co. Company

**PUMPS & SYSTEMS**

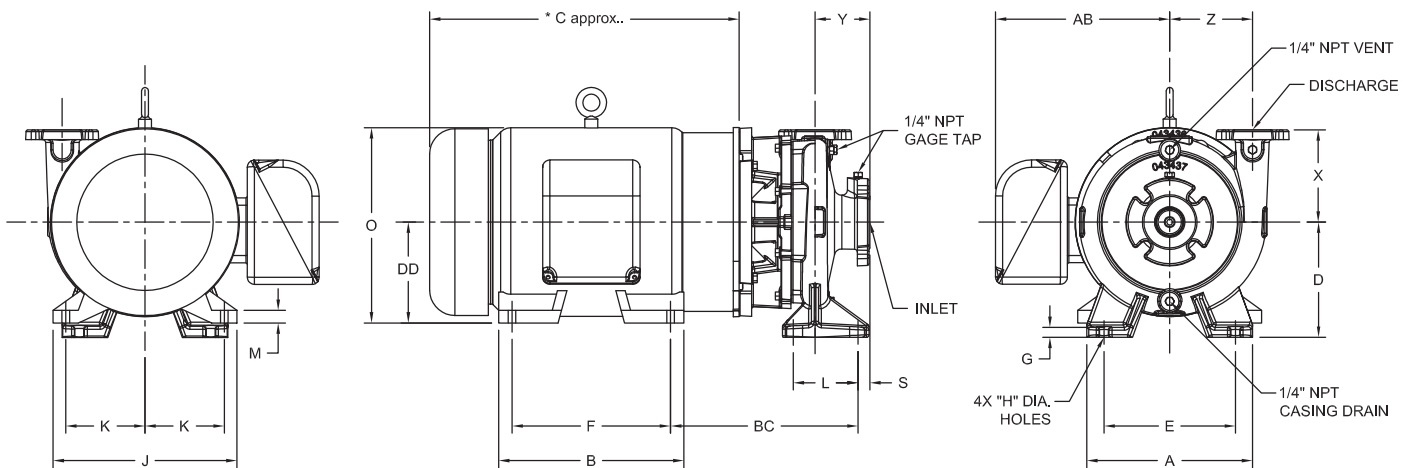
USA: (937) 778-8947 • Canada: (905) 457-6223 • International: (937) 615-3598

### End Suction Back Pull-Out

PUMP NO.				PUMP:				HP:			
FOR:				TDH:				VOLTS/PHASE:			
CERT. BY:				DATE:				HZ:			
				PUMP SIZE:				FRAME:			
				RPM:				ENCLOSURE:			

#### CONNECTIONS FOR 125# STANDARD FLANGES

Pump	Disch. (INCH)	Inlet (INCH)	A	D	E	G	H	L	S	X	Y	Z
6R	6.0	8.0	23.00	12.00	21.00	1.00	0.75	9.00	2.00	14.00	6.50	9.31



NOTES:

- 1) All Dimension  $\pm .13$
- 2) Motor dimensions F, K and DD are NEMA Standard, all other motor dimensions may vary based on motor brand

#### CONNECTIONS FOR 125# STANDARD FLANGES

Motor Frame	B	* C approx	F	J	K	M	O	AB	BC	DD
256JM	11.75	26.10	10.00	12.50	5.00	0.88	12.88	10.48	15.07	6.25
284JM	12.84	27.17	9.50	14.00	5.50	1.02	14.63	13.13	15.07	7.00
286JM	13.75	28.70	11.00	14.00	5.50	1.02	14.63	13.13	15.07	7.00
324JM	14.00	28.15	10.50	16.00	6.25	1.30	16.50	14.13	15.57	8.00
326JM	14.57	29.65	12.00	16.00	6.25	1.30	16.50	14.13	15.57	8.00

# Type "R"

Models 6R  
Metric (Millimeters)

# WEINMAN®

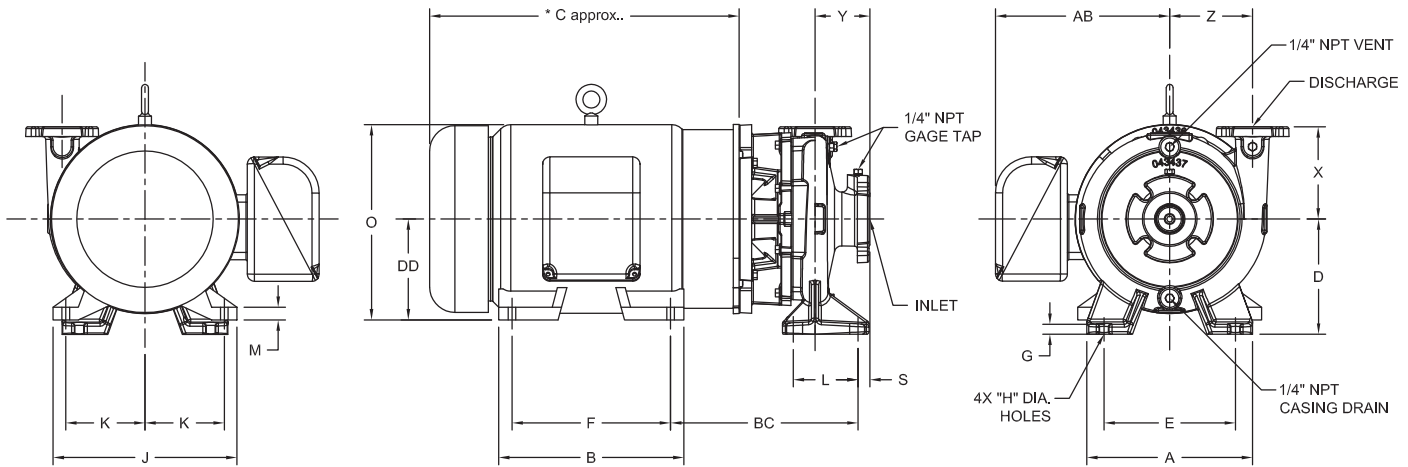
www.cranepumps.com

## End Suction Back Pull-Out

PUMP NO.				PUMP:				HP:			
FOR:				TDH:				VOLTS/PHASE:			
CERT. BY:				DATE:				GPM:			
				PUMP SIZE:				HZ:			
				RPM:				FRAME:			
								ENCLOSURE:			

### CONNECTIONS FOR 125# STANDARD FLANGES

Pump	Disch. (INCH)	Inlet (INCH)	A	D	E	G	H	L	S	X	Y	Z
6R	6.0	8.0	584	305	533	25	19	229	51	356	165	236



#### NOTES:

- 1) All Dimension  $\pm$  3mm
- 2) Motor dimensions F, K and DD are NEMA Standard, all other motor dimensions may vary based on motor brand

### CONNECTIONS FOR 125# STANDARD FLANGES

Motor Frame	B	* C approx	F	J	K	M	O	AB	BC	DD
256JM	298	663	254	318	127	22	327	266	383	159
284JM	326	690	241	356	140	26	372	334	383	178
286JM	349	729	279	356	140	26	372	334	383	178
324JM	356	715	267	406	159	33	419	359	395	203
326JM	370	753	305	406	159	33	419	359	395	203

SECTION 375  
PAGE 76  
DATE 11/16

**CRANE**  
A Crane Co. Company

PUMPS & SYSTEMS

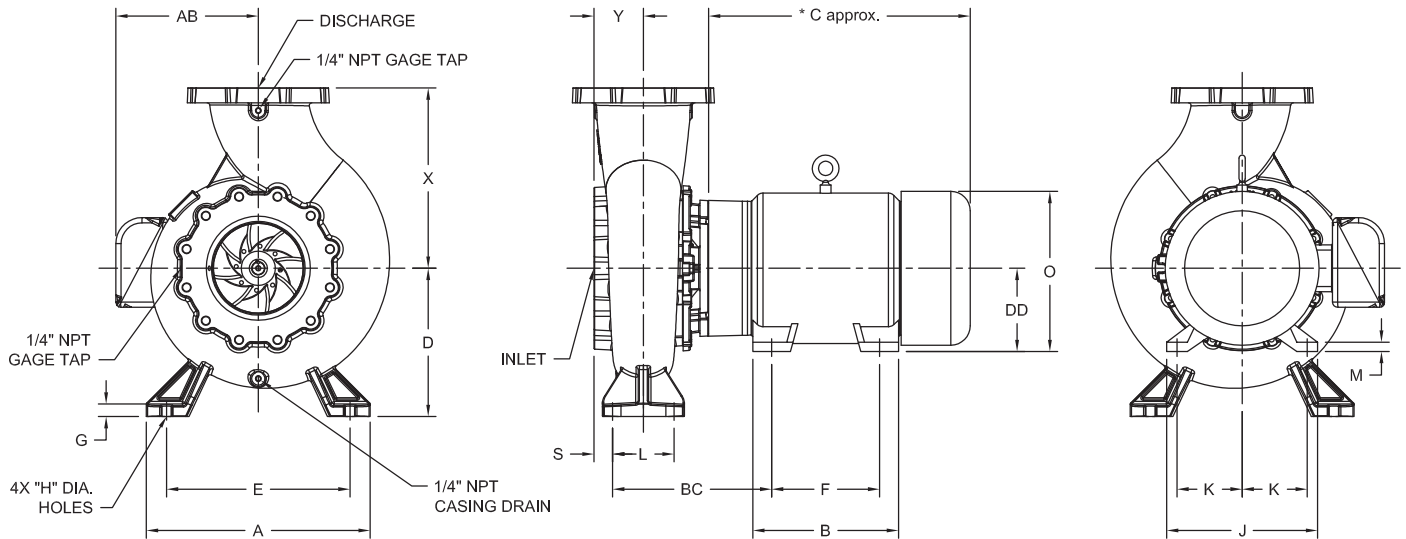
USA: (937) 778-8947 • Canada: (905) 457-6223 • International: (937) 615-3598

### End Suction Back Pull-Out

PUMP NO.				PUMP:				HP:			
FOR:				TDH:				VOLTS/PHASE:			
CERT. BY:				DATE:				GPM:			
								PUMP SIZE:			
								RPM:			
								FRAME:			
								ENCLOSURE:			

#### CONNECTIONS FOR 125# STANDARD FLANGES

Pump	Disch. (INCH)	Inlet (INCH)	A	D	E	G	H	L	S	X	Y	Z
8R	8.0	10.0	21.50	14.25	17.62	1.00	0.75	5.90	1.80	17.32	4.75	N/A



**NOTES:**

- 1) All Dimension  $\pm .13$
- 2) Motor dimensions F, K and DD are NEMA Standard, all other motor dimensions may vary based on motor brand
- 3) Suction drilled and tapped for 125# standard flanges

#### CONNECTIONS FOR 125# STANDARD FLANGES

Motor Frame	B	* C approx	F	J	K	M	O	AB	BC	DD
284JM	12.84	27.17	9.50	14.00	5.50	1.02	14.63	13.13	13.90	7.00
286JM	13.75	28.70	11.00	14.00	5.50	1.02	14.63	13.13	13.90	7.00
324JM	14.00	28.15	10.50	16.00	6.25	1.30	16.50	14.13	14.40	8.00
326JM	14.57	29.65	12.00	16.00	6.25	1.30	16.50	14.13	14.40	8.00

# Type "R"

Models 8R  
Metric (Millimeters)

# WEINMAN®

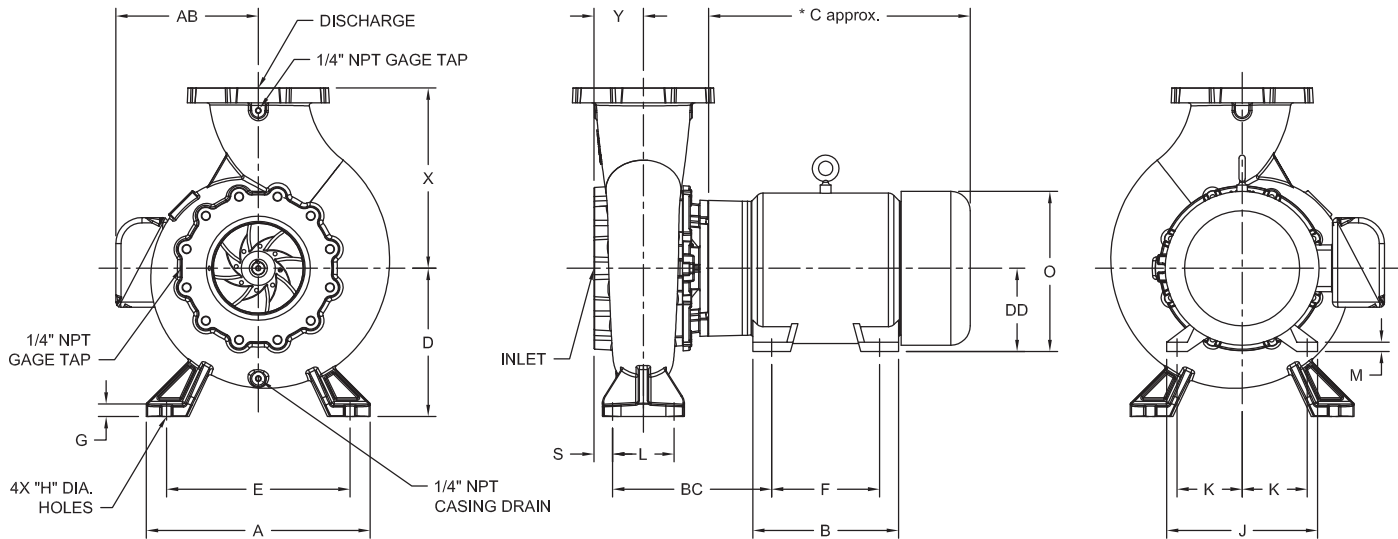
www.cranepumps.com

## End Suction Back Pull-Out

PUMP NO.		PUMP:		HP:	
FOR:		TDH:		VOLTS/PHASE:	
CERT. BY:		GPM:		HZ:	
DATE:		PUMP SIZE:		FRAME:	
		RPM:		ENCLOSURE:	

### CONNECTIONS FOR 125# STANDARD FLANGES

Pump	Disch. (INCH)	Inlet (INCH)	A	D	E	G	H	L	S	X	Y	Z
8R	8.0	10.0	546	362	448	25	19	150	46	440	121	N/A



- NOTES:
- 1) All Dimension  $\pm 3\text{mm}$
  - 2) Motor dimensions F, K and DD are NEMA Standard, all other motor dimensions may vary based on motor brand
  - 3) Suction drilled and tapped for 125# standard flanges

### CONNECTIONS FOR 125# STANDARD FLANGES

Motor Frame	B	* C approx	F	J	K	M	O	AB	BC	DD
284JM	326	690	241	356	140	26	372	334	353	178
286JM	349	729	279	356	140	26	372	334	353	178
324JM	356	715	267	406	159	33	419	359	366	203
326JM	370	753	305	406	159	33	419	359	366	203

SECTION 375  
PAGE 78  
DATE 3/16

## CRANE®

A Crane Co. Company

## PUMPS & SYSTEMS

USA: (937) 778-8947 • Canada: (905) 457-6223 • International: (937) 615-3598