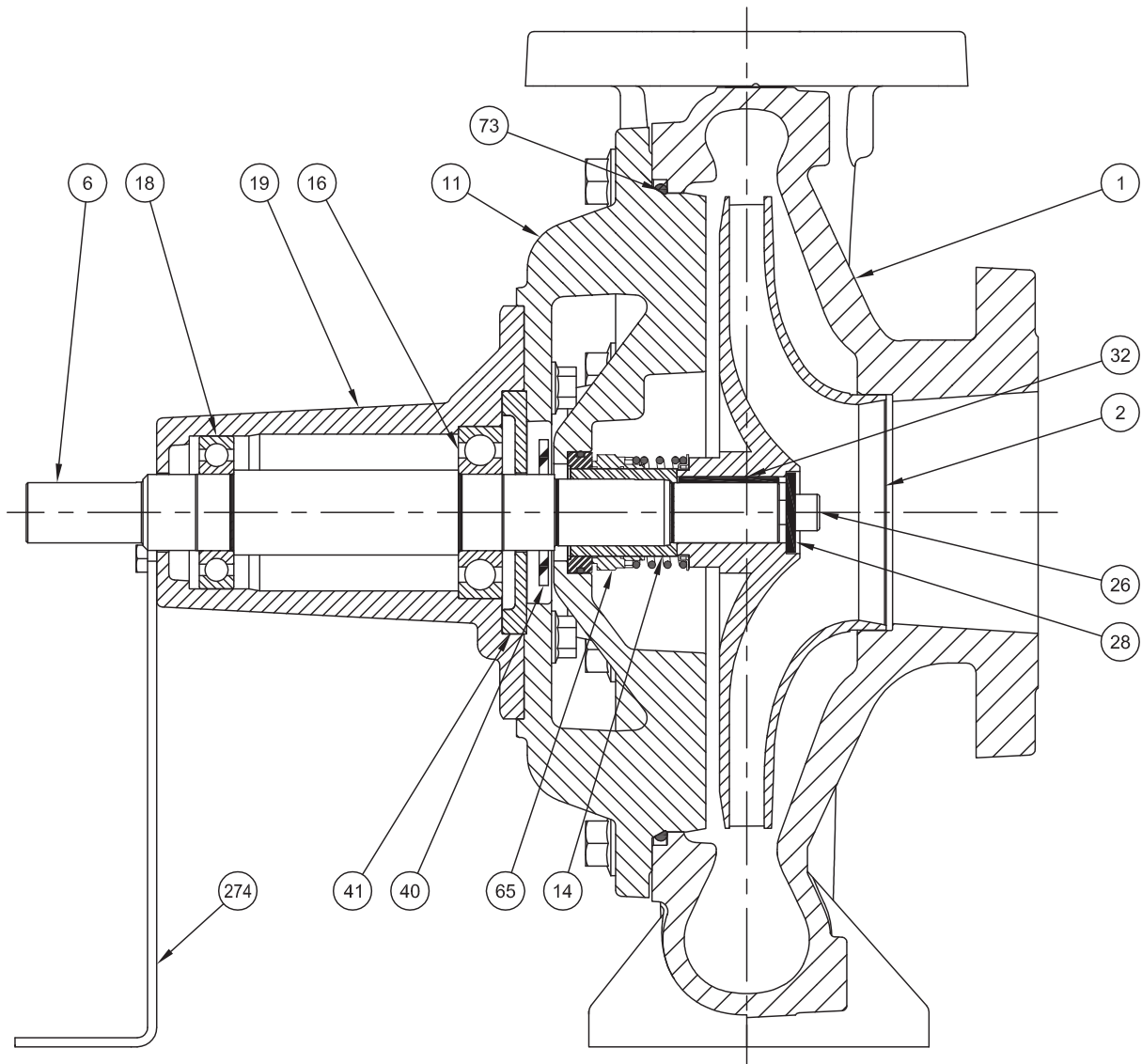


### End Suction Back Pull-Out



Item No.	Name of Part
1	Casing
2	Impeller
6	Shaft
11	Adapter
14	Shaft Sleeve
16	Inboard Bearing
18	Outboard Bearing
19	Frame

Item No.	Name of Part
26	Impeller Screw
28	Impeller Screw Washer
32	Impeller Key
40	Deflector
41	Bearing Cap
65	Mechanical Seal
73	O-Ring
274	Bracket Support