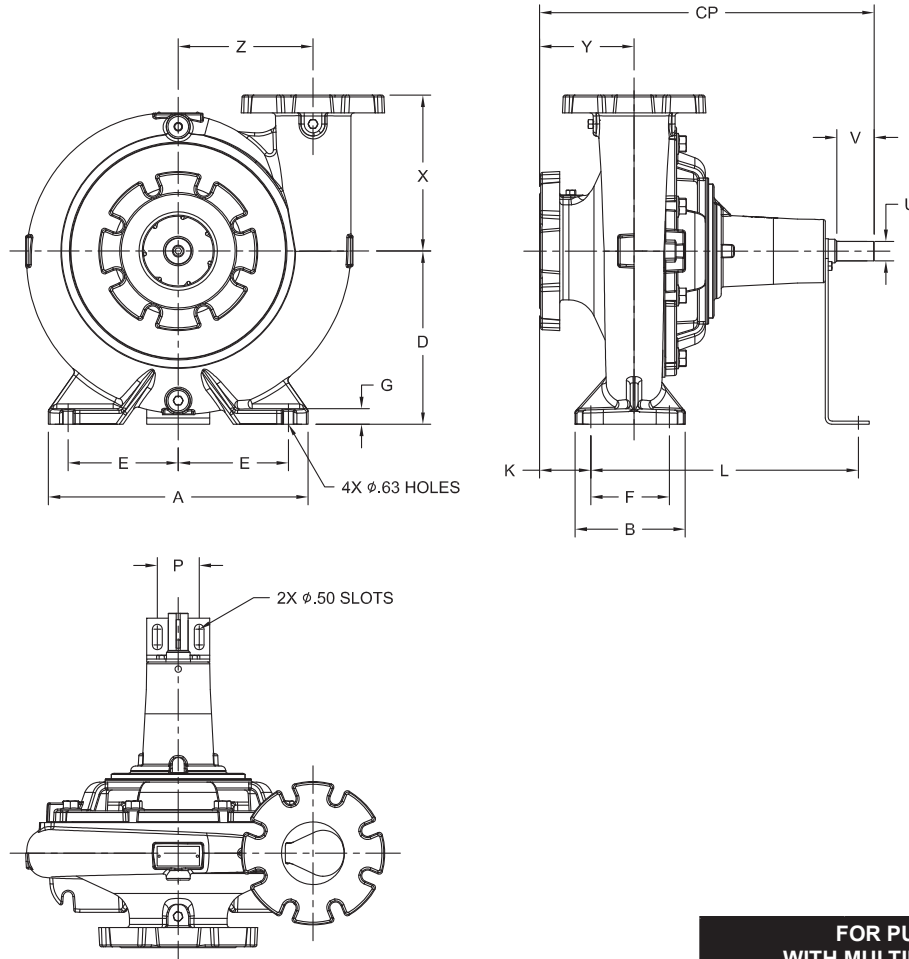


End Suction Back Pull-Out

PUMP NO.	PUMP:	MOTOR:	VOLTS:
FOR:	TDH:	HP:	HZ:
CERT. BY:	GPM:	RPM:	FRAME:
DATE:	FIGURE NO:	PHASE:	
		ENCLOSURE:	



FOR PUMP MODELS WITH MULTIPLE FRAME SIZES		
MODEL	FRAME	RPM
1.5Q	Small	1450/1760
2Q	Medium	2900/3550
2.5Q		
3Q		

CONNECTIONS FOR 125# STANDARD FLANGES

Pump	Frame	Disch. (INCH)	Inlet (INCH)	A	B	D	E	2E	F	G	K	L	P	U	V	X	Y	Z	CP
1.5Q	S	1.5	2.0	11.50	6.00	8.00	4.56	9.12	4.37	0.85	0.87	13.57	2.75	1.00	1.68	6.50	3.81	5.75	15.12
	M											17.24		1.25	1.98				19.08
2Q	S	2.0	2.5	11.50	6.00	8.00	4.56	9.12	4.37	0.85	1.25	13.69	2.75	1.00	1.68	7.00	4.00	5.88	15.61
	M											17.35		1.25	1.98				19.57
2.5Q	S	2.5	3.0	11.50	6.00	8.00	4.56	9.12	4.37	0.85	1.25	13.50	2.75	1.00	1.68	6.75	4.00	6.00	15.47
	M											17.25		1.25	1.98				19.44
3Q	S	3.0	4.0	11.50	6.00	8.00	4.56	9.12	4.37	0.85	2.19	13.67	2.75	1.00	1.68	7.50	4.75	6.13	16.54
	M											16.50		1.25	1.98				19.62

Type "Q"

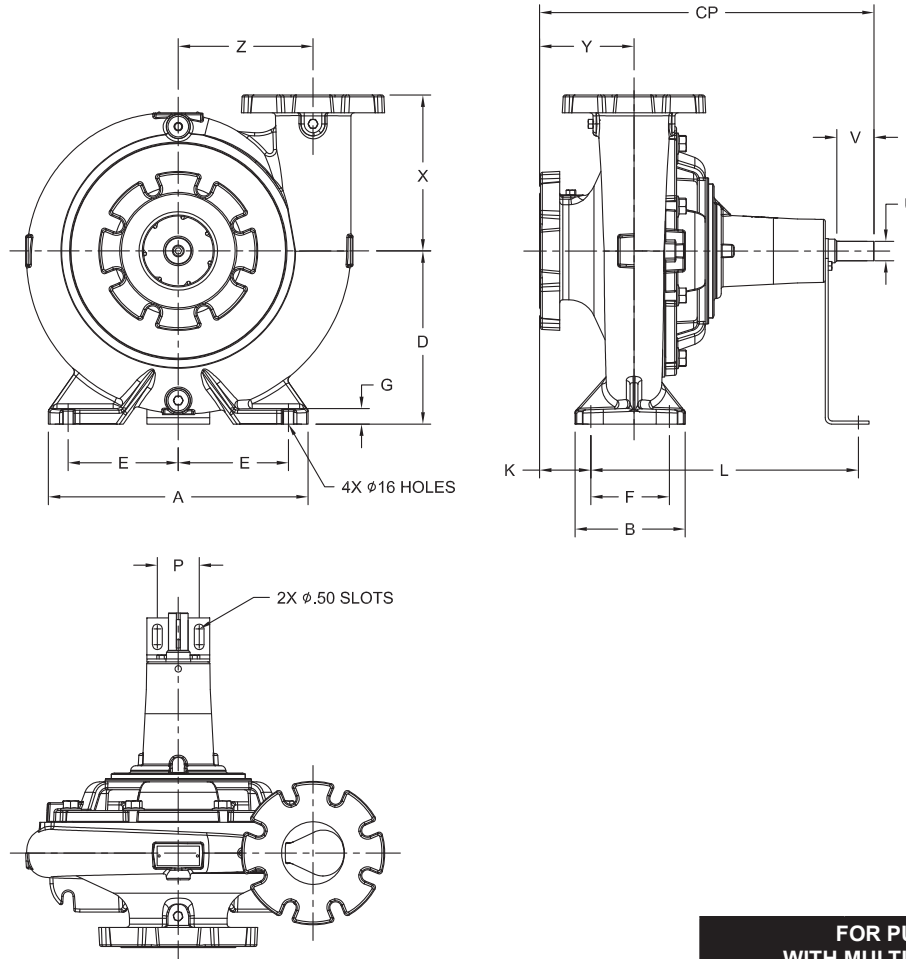
Models 1.5Q, 2Q, 2.5Q, 3Q
Metric (Millimeters)

WEINMAN®

www.cranepumps.com

End Suction Back Pull-Out

PUMP NO.	PUMP:	MOTOR:	VOLTS:
FOR:	TDH:	HP:	HZ:
CERT. BY:	GPM:	RPM:	FRAME:
DATE:	FIGURE NO:	PHASE:	
		ENCLOSURE:	



FOR PUMP MODELS WITH MULTIPLE FRAME SIZES		
MODEL	FRAME	RPM
1.5Q	Small	1450/1760
2Q		
2.5Q	Medium	2900/3550
3Q		

CONNECTIONS FOR 125# STANDARD FLANGES

Pump	Frame	Disch. (INCH)	Inlet (INCH)	A	B	D	E	2E	F	G	K	L	P	U	V	X	Y	Z	CP
1.5Q	S	1.5	2.0	292	152	203	116	232	111	22	22	345	70	25	43	165	97	146	384
	M											438		32	50				485
2Q	S	2.0	2.5	292	152	203	116	232	111	22	32	348	70	25	43	178	102	149	396
	M											441		32	50				497
2.5Q	S	2.5	3.0	292	152	203	116	232	111	22	32	343	70	25	43	171	102	152	393
	M											438		32	50				494
3Q	S	3.0	4.0	292	152	203	116	232	111	22	56	347	70	25	43	191	121	156	420
	M											419		32	50				498

SECTION 575
PAGE 44
DATE 11/16

CRANE
A Crane Co. Company

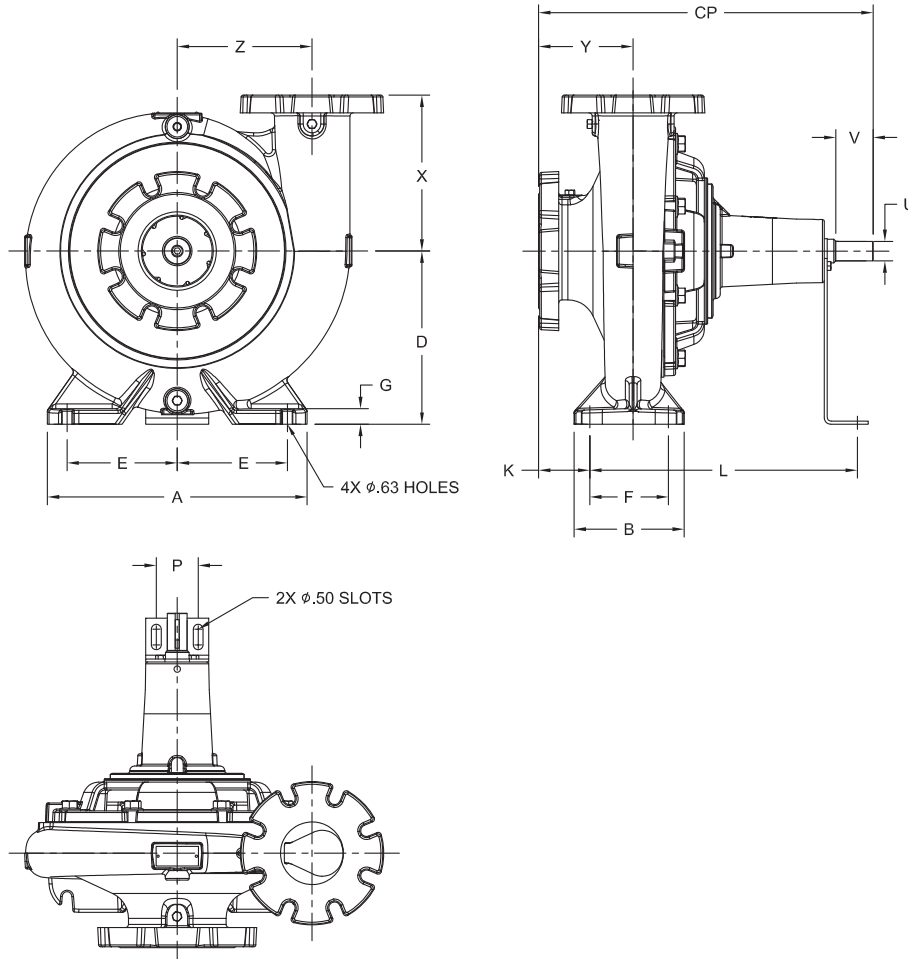
PUMPS & SYSTEMS

A Crane Co. Company

USA: (937) 778-8947 • Canada: (905) 457-6223 • International: (937) 615-3598

End Suction Back Pull-Out

PUMP NO.	PUMP:	MOTOR:	VOLTS:
FOR:	TDH:	HP:	HZ:
CERT. BY:	GPM:	RPM:	FRAME:
DATE:	FIGURE NO:	PHASE:	
		ENCLOSURE:	



FOR PUMP MODELS WITH MULTIPLE FRAME SIZES		
MODEL	FRAME	RPM
4Q	Small	1150
5Q	Medium	1450/1760

CONNECTIONS FOR 125# STANDARD FLANGES

Pump	Frame	Disch. (INCH)	Inlet (INCH)	A	B	D	E	2E	F	G	K	L	P	U	V	X	Y	Z	CP
4Q	S	4.0	5.0	11.50	6.00	10.00	4.56	9.12	4.37	0.85	2.50	13.58	2.75	1.00	1.68	8.00	5.00	7.00	16.81
	M											16.38		1.25	1.98				19.89
5Q	S	5.0	6.0	16.50	7.00	11.00	7.00	14.00	5.00	0.85	3.19	14.52	2.75	1.00	1.68	10.00	6.00	7.50	18.44
	M											17.38		1.25	1.98				21.52
6Q	M	6.0	8.0	16.50	7.00	11.00	7.00	14.00	5.00	0.97	5.13	16.38	2.75	1.25	1.98	10.50	7.00	8.25	22.45

Type "Q"

Models 4Q, 5Q, 6Q

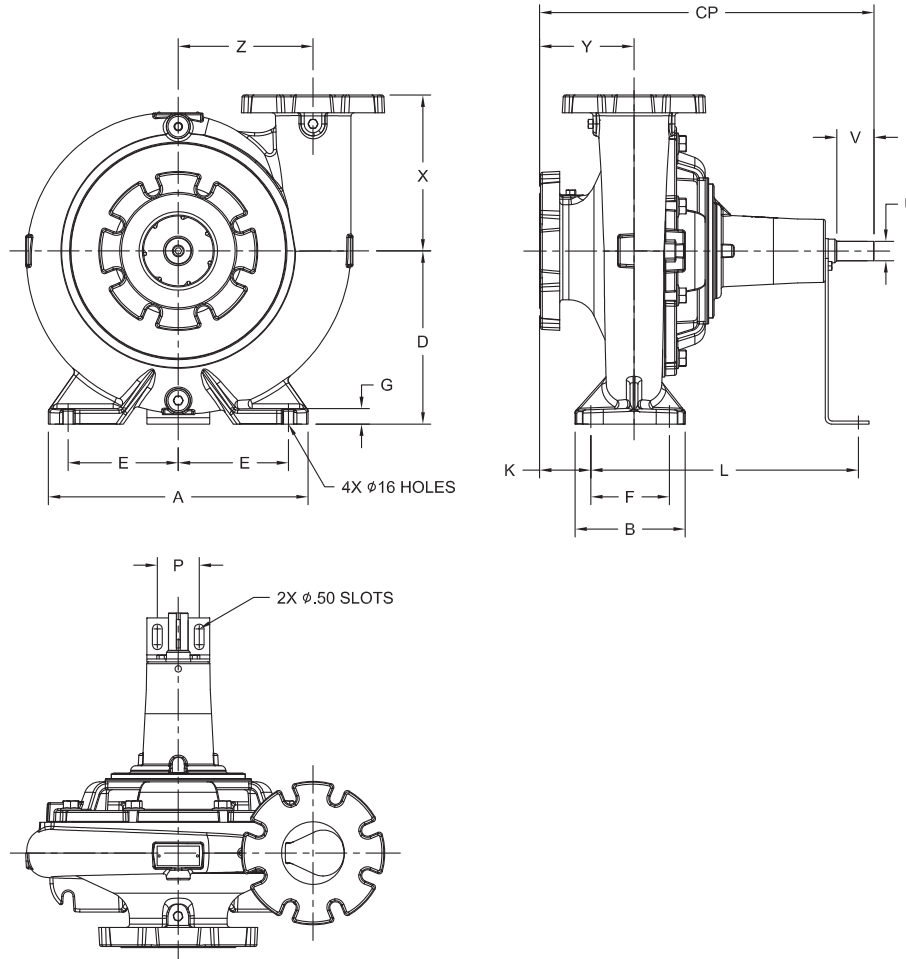
Metric (Millimeters)

WEINMAN®

www.cranepumps.com

End Suction Back Pull-Out

PUMP NO.	PUMP: TDH: GPM:	MOTOR: HP: RPM: PHASE: ENCLOSURE:	VOLTS: HZ: FRAME:
FOR:	FIGURE NO:		
CERT. BY:	DATE:		



FOR PUMP MODELS WITH MULTIPLE FRAME SIZES		
MODEL	FRAME	RPM
4Q	Small	1150
5Q	Medium	1450/1760

CONNECTIONS FOR 125# STANDARD FLANGES

Pump	Frame	Disch. (INCH)	Inlet (INCH)	A	B	D	E	2E	F	G	K	L	P	U	V	X	Y	Z	CP
4Q	S	4.0	5.0	292	152	254	116	232	111	22	64	345	70	25	43	203	127	178	427
	416											32		50	505				
5Q	S	5.0	6.0	419	178	279	178	356	127	22	81	369	70	25	43	254	152	191	468
	442											32		50	547				
6Q	M	6.0	8.0	419	178	279	178	356	127	25	130	416	70	32	50	267	178	210	570

SECTION 575
PAGE 46
DATE 11/16

CRANE
A Crane Co. Company

PUMPS & SYSTEMS

USA: (937) 778-8947 • Canada: (905) 457-6223 • International: (937) 615-3598