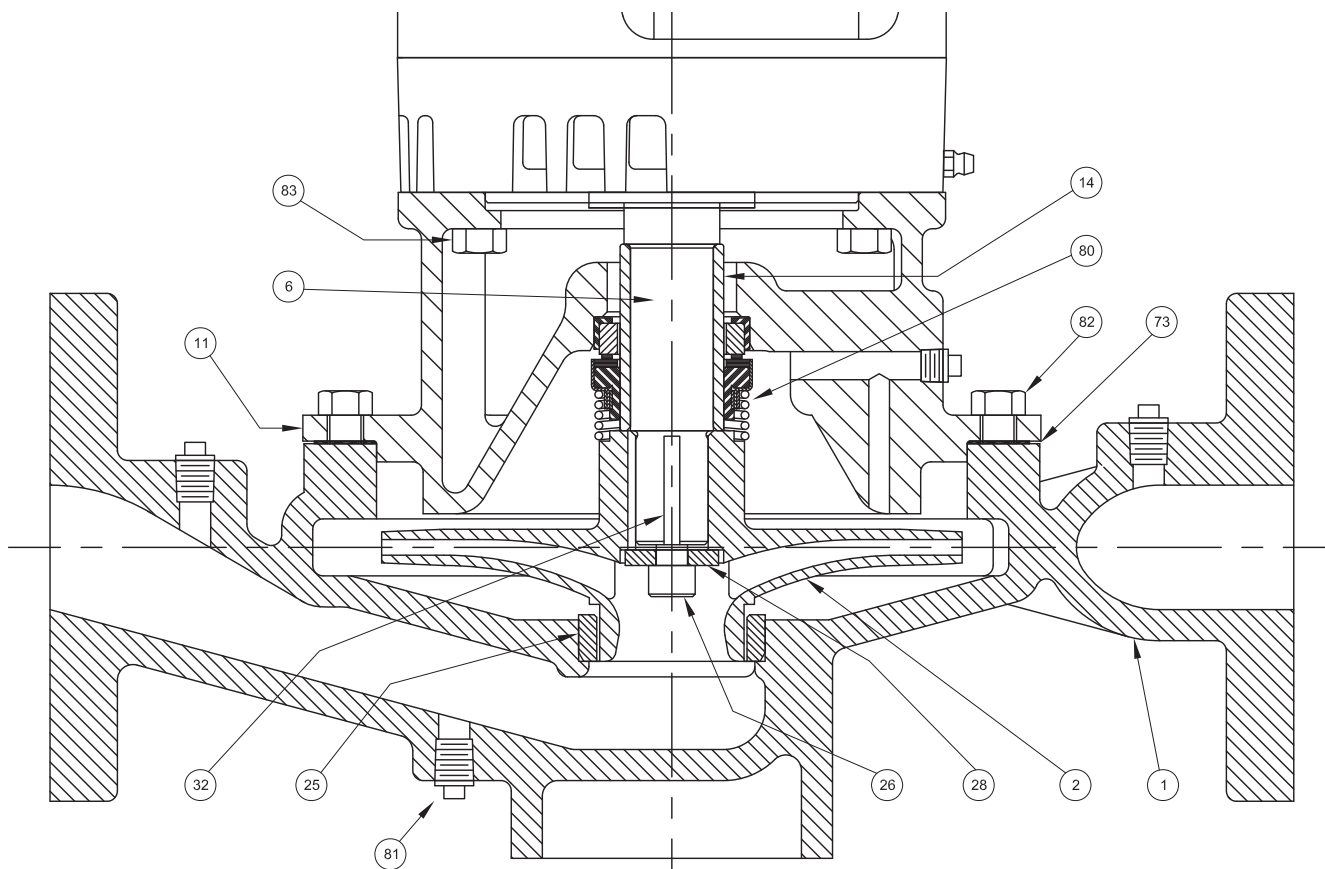


Close Coupled In-Line Pumps



Parts List and Materials of Construction					
Standard Casing Working Pressure - 175 PSI @ 100° F					
Item No.	Part Name	Std. Bronze Fitted	Item No.	Part Name	Std. Bronze Fitted
1	Casing	Cast Iron	28	Impeller Washer	Stainless Steel
2	Impeller	Bronze	32	Impeller Key	Stainless Steel
6	Motor Shaft	Steel	73	Casing Gasket	Cellulose Fiber
11	Casing Cover	Cast Iron	80	Mechanical Seal	See Below
14	Shaft Sleeve	Bronze	81	Plugs	Steel
25	Casing Wear Ring	Bronze	82	Hex Nut	Steel
26	Impeller Screw	Stainless Steel	83	Cap Screw	Steel
27	Casing Cover Ring (not shown)	Bronze			

Mechanical Seal - J.Crane Type 21 Material Code XP-171				
Explanation of Material Code				
Elastic Parts	Rotating Face	Metal Parts	Stationary Seat	Spring
Viton	Carbon	Stainless Steel	Ni-Resist	Stainless Steel

Maximum Temperature 250°F



WARNING:
CANCER AND REPRODUCTIVE HARM -
WWW.P65WARNINGS.CA.GOV