

4L4, 5L1, 6L2

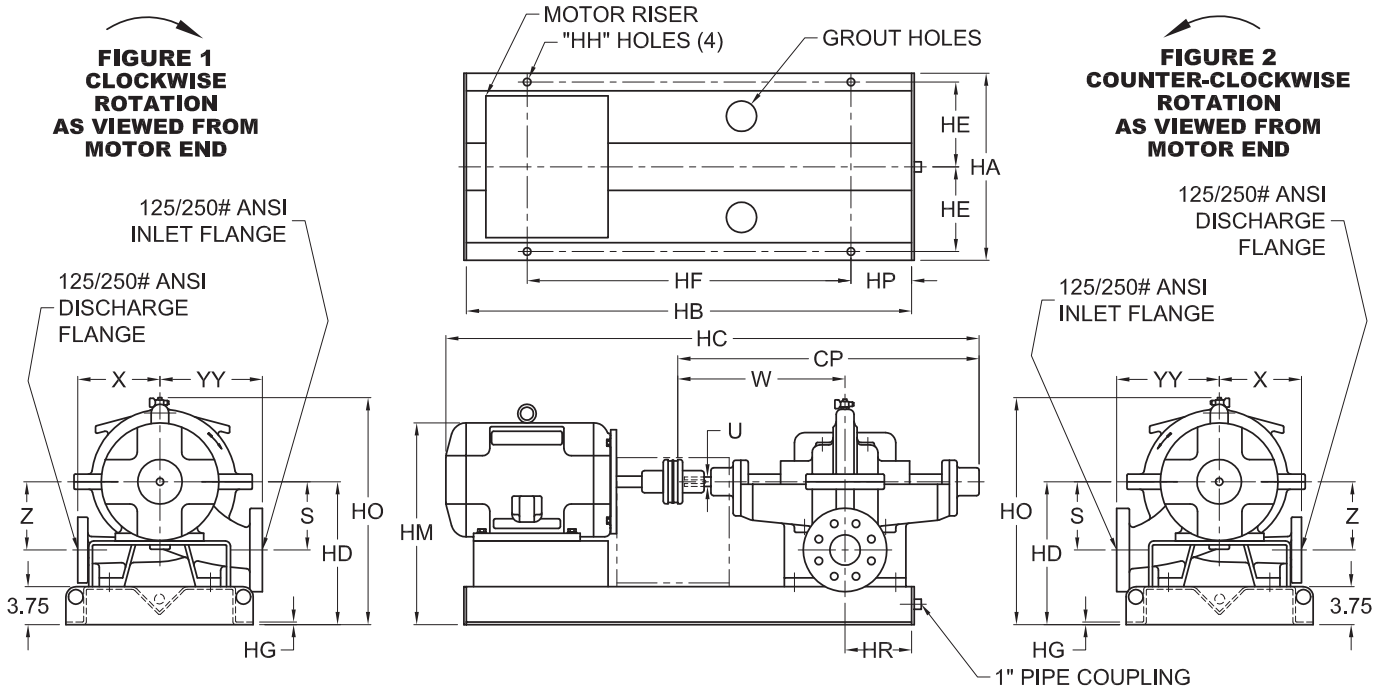
Double Suction
Standard (Inches)

WEINMAN®

www.cranepumps.com

Split Case Pumps - Horizontally Mounted

PUMP NO.	PUMP: TDH: GPM: ROTATION: FIGURE NO:	MOTOR: HP: RPM: PHASE: ENCLOSURE:	VOLTS: HZ: FRAME:
FOR:	DATE:		
CERT. BY:			



NOT FOR CONSTRUCTION, INSTALLATION OR APPLICATION PURPOSES UNLESS OTHERWISE CERTIFIED

NOTES:

1. ALL DIMENSIONS ±.13 EXCEPT WHERE NOTED.
2. ALL GAUGE TAPPINGS TO BE 1/4" N.P.T.
3. DIMENSIONS MAY VARY. HC & HM DIMENSIONS SHOWN BASED ON U.S. ELECTRIC STANDARD EFFICIENCY ODP MOTOR.
4. MOTOR MAY EXTEND OVER BASE.
5. DIMENSIONS SHOWN ARE FOR A STANDARD "DRIP TROUGH" BASE. CONSULT FACTORY FOR "DRIP PAN" BASE DIMENSIONS.

DIMENSIONS IN INCHES

PUMP	DISCH. (INCH)	INLET (INCH)	CP	HD	HO	S	U	W	X	YY	Z
4L4	4	6	31.00	16.50	26.25	6.50	1.38	17.13	9.50	12.00	6.50
5L1	5	6	31.00	16.50	29.00	8.25	1.38	17.13	15.00	15.50	8.25
6L2	6	8	31.00	16.50	28.50	7.13	1.38	17.13	13.00	15.50	8.00

DIMENSIONS IN INCHES

MOTOR FRAME	HA	HB	HC	HE	HF	HG	HH	HM	HP	HR	MOTOR FRAME	HA	HB	HC	HE	HF	HG	HH	HM	HP	HR	
182T	20.50	52.00	46.75	9.38	40.00	.25	.75	20.50	6.00	8.50	324TS	20.50	52.00	57.25	9.38	40.00	.25	.75	24.13	6.00	8.50	
184T	20.50	52.00	46.75	9.38	40.00	.25	.75	20.50	6.00	8.50	326TS	20.50	52.00	57.25	9.38	40.00	.25	.75	24.13	6.00	8.50	
213T	20.50	52.00	48.00	9.38	40.00	.25	.75	21.50	6.00	8.50	364T	22.50	60.00	60.50	10.38	48.00	.25	.75	25.63	6.00	8.50	
215T	20.50	52.00	49.50	9.38	40.00	.25	.75	21.50	6.00	8.50	365T	22.50	60.00	61.50	10.38	48.00	.25	.75	25.63	6.00	8.50	
254T	20.50	52.00	55.00	9.38	40.00	.25	.75	22.25	6.00	8.50	364TS	20.50	52.00	68.25	9.38	40.00	.25	.75	25.63	6.00	8.50	
256T	20.50	52.00	55.50	9.38	40.00	.25	.75	22.25	6.00	8.50	365TS	20.50	52.00	59.25	9.38	40.00	.25	.75	25.63	6.00	8.50	
284T	20.50	52.00	56.75	9.38	40.00	.25	.75	23.13	6.00	8.50	404T	22.50	60.00	64.50	10.38	48.00	.38	.75	27.00	6.00	8.50	
286T	20.50	52.00	56.75	9.38	40.00	.25	.75	23.13	6.00	8.50	405T	22.50	60.00	66.00	10.38	48.00	.38	.75	27.00	6.00	8.50	
284TS	20.50	52.00	55.50	9.38	40.00	.25	.75	23.13	6.00	8.50	404TS	22.50	60.00	62.00	10.38	48.00	.38	.75	27.00	6.00	8.50	
286TS	20.50	52.00	55.50	9.38	40.00	.25	.75	23.13	6.00	8.50	405TS	22.50	60.00	63.50	10.38	48.00	.38	.75	27.00	6.00	8.50	
324T	20.50	52.00	59.50	9.38	40.00	.25	.75	24.13	6.00	8.50												
326T	20.50	52.00	59.50	9.38	40.00	.25	.75	24.13	6.00	8.50												

SECTION 1200
PAGE 30
DATE 1/13

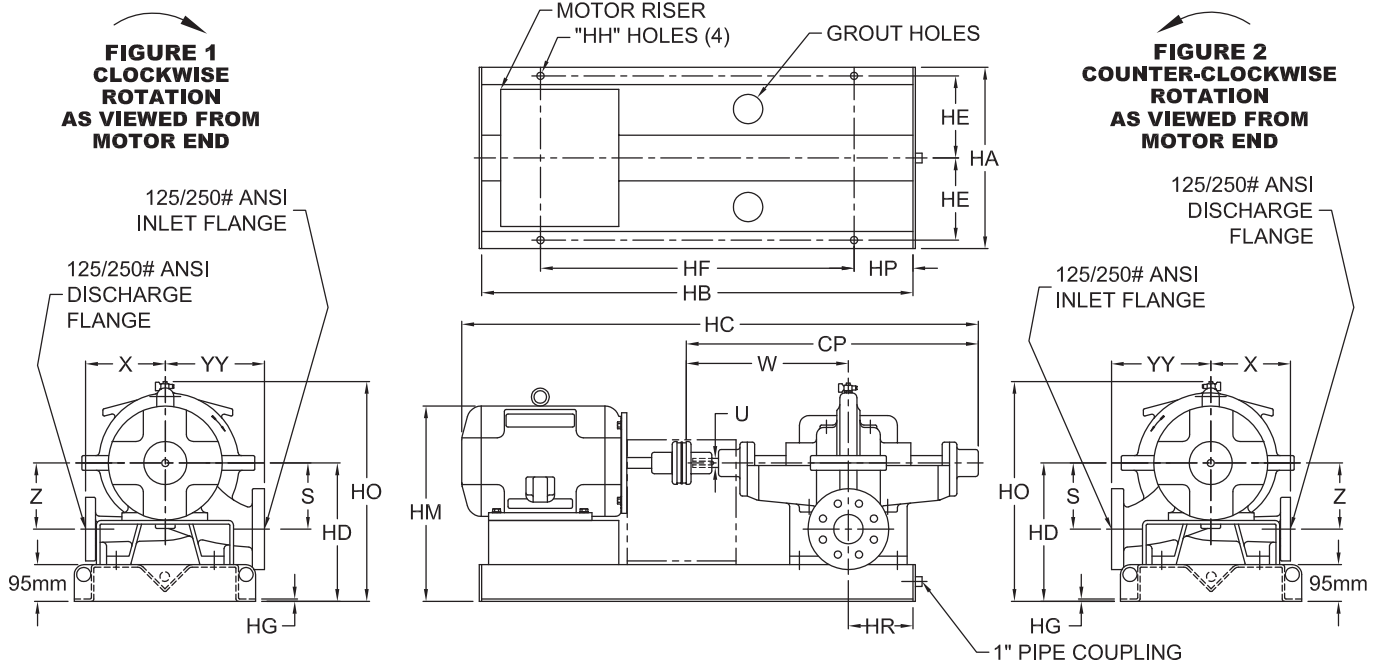
CRANE
A Crane Co. Company

PUMPS & SYSTEMS

USA: (937) 778-8947 • Canada: (905) 457-6223 • International: (937) 615-3598

Split Case Pumps - Horizontally Mounted

PUMP NO.	PUMP:	MOTOR:	VOLTS:
FOR:	TDH:	HP:	HZ:
CERT. BY:	GPM:	RPM:	FRAME:
DATE:	ROTATION:	PHASE:	
	FIGURE NO:	ENCLOSURE:	



NOT FOR CONSTRUCTION, INSTALLATION OR APPLICATION PURPOSES UNLESS OTHERWISE CERTIFIED

NOTES:

1. ALL DIMENSIONS ± 3mm EXCEPT WHERE NOTED.
2. ALL GAUGE TAPPINGS TO BE 1/4" N.P.T.
3. DIMENSIONS MAY VARY. HC & HM DIMENSIONS SHOWN BASED ON U.S. ELECTRIC STANDARD EFFICIENCY ODP MOTOR.
4. MOTOR MAY EXTEND OVER BASE.
5. DIMENSIONS SHOWN ARE FOR STANDARD "DRIP TROUGH" BASE. CONSULT FACTORY FOR "DRIP PAN" BASE DIMENSIONS.

DIMENSIONS IN MILLIMETERS (Except where noted)

PUMP	DISCH. (INCH)	INLET (INCH)	CP	HD	HO	S	U	W	X	YY	Z
4L4	4	6	787	419	667	165	35	435	241	305	165
5L1	5	6	787	419	737	210	35	435	381	394	210
6L2	6	8	787	419	724	181	35	435	330	394	203

DIMENSIONS IN MILLIMETERS (Except where noted)

MOTOR FRAME	HA	HB	HC	HE	HF	HG	HH	HM	HP	HR	MOTOR FRAME	HA	HB	HC	HE	HF	HG	HH	HM	HP	HR
182T	521	1321	1187	238	1016	6	19	521	152	216	324TS	521	1321	1454	238	1016	6	19	613	152	219
184T	521	1321	1187	238	1016	6	19	521	152	216	326TS	521	1321	1454	238	1016	6	19	613	152	219
213T	521	1321	1219	238	1016	6	19	546	152	216	364T	572	1524	1537	264	1219	10	19	651	152	216
215T	521	1321	1257	238	1016	6	19	546	152	216	365T	573	1524	1562	264	1219	10	19	651	152	216
254T	521	1321	1397	238	1016	6	19	565	152	216	364TS	521	1321	1734	238	1016	6	19	651	152	216
256T	521	1321	1410	238	1016	6	19	565	152	216	365TS	521	1321	1505	238	1016	6	19	651	152	216
284T	521	1321	1441	238	1016	6	19	587	152	216	404T	572	1524	1638	264	1219	10	19	686	152	216
286T	521	1321	1441	238	1016	6	19	587	152	216	405T	572	1524	1676	264	1219	10	19	686	152	216
284TS	521	1321	1410	238	1016	6	19	587	152	216	404TS	572	1524	1575	264	1219	10	19	686	152	216
286TS	521	1321	1410	238	1016	6	19	587	152	216	405TS	572	1524	1613	264	1219	10	19	686	152	216
324T	521	1321	1511	238	1016	6	19	613	152	216											
326T	521	1321	1511	238	1016	6	19	613	152	216											

4L4, 5L1, 6L2

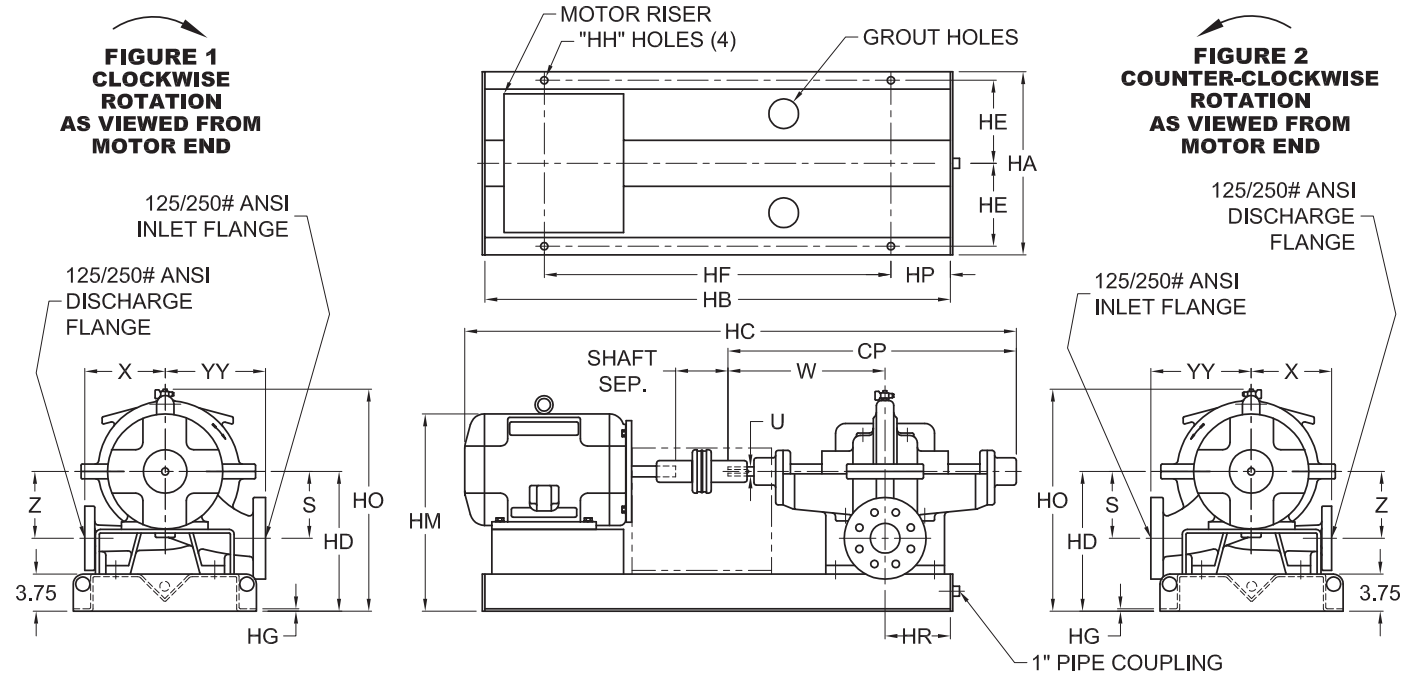
Double Suction - Spacer Coupling
Standard (Inches)



www.cranepumps.com

Split Case Pumps - Horizontally Mounted

PUMP NO.	PUMP: TDH: GPM: ROTATION: FIGURE NO:	MOTOR: HP: RPM: PHASE: ENCLOSURE:	VOLTS: HZ: FRAME:
FOR:			
CERT. BY:	DATE:		



NOT FOR CONSTRUCTION, INSTALLATION OR APPLICATION PURPOSES UNLESS OTHERWISE CERTIFIED

NOTES:

1. ALL DIMENSIONS $\pm .13$ EXCEPT WHERE NOTED.
2. ALL GAUGE TAPPINGS TO BE 1/4" N.P.T.
3. DIMENSIONS MAY VARY. HC & HM DIMENSIONS SHOWN BASED ON U.S. ELECTRIC STANDARD EFFICIENCY ODP MOTOR.
4. MOTOR MAY EXTEND OVER BASE.
5. DIMENSIONS SHOWN ARE FOR STANDARD "DRIP TROUGH" BASE. CONSULT FACTORY FOR "DRIP PAN" BASE DIMENSIONS.

DIMENSIONS IN INCHES

PUMP	DISCH. (INCH)	INLET (INCH)	CP	HD	HO	S	U	W	X	YY	Z
4L4	4	6	31.00	16.50	26.25	6.50	1.38	17.13	9.50	12.00	6.50
5L1	5	6	31.00	16.50	29.00	8.25	1.38	17.13	15.00	15.50	8.25
6L2	6	8	31.00	16.50	28.50	7.13	1.38	17.13	13.00	15.50	8.00

DIMENSIONS IN INCHES

MOTOR FRAME	HA	HB	HC	HE	HF	HG	HH	HM	HP	HR	SHAFT SEP	MOTOR FRAME	HA	HB	HC	HE	HF	HG	HH	HM	HP	HR	SHAFT SEP
182T	20.50	52.00	51.25	9.38	40.00	.25	.75	20.50	6.00	8.50	5.25	324TS	22.50	60.00	62.00	10.38	48.00	.38	.75	24.13	6.00	8.50	5.25
184T	20.50	52.00	51.25	9.38	40.00	.25	.75	20.50	6.00	8.50	5.25	326TS	22.50	60.00	62.00	10.38	48.00	.38	.75	24.13	6.00	8.50	5.25
213T	20.50	52.00	52.25	9.38	40.00	.25	.75	21.50	6.00	8.50	5.25	364T	22.50	60.00	63.00	10.38	48.00	.38	.75	25.63	6.00	8.50	5.25
215T	20.50	52.00	53.75	9.38	40.00	.25	.75	21.50	6.00	8.50	5.25	365T	22.50	60.00	66.00	10.38	48.00	.38	.75	25.63	6.00	8.50	5.25
254T	20.50	52.00	59.00	9.38	40.00	.25	.75	22.25	6.00	8.50	5.25	364TS	22.50	60.00	63.00	10.38	48.00	.38	.75	25.63	6.00	8.50	5.25
256T	20.50	52.00	59.50	9.38	40.00	.25	.75	22.25	6.00	8.50	5.25	365TS	22.50	60.00	64.00	10.38	48.00	.38	.75	25.63	6.00	8.50	5.25
284T	22.50	60.00	61.25	10.38	48.00	.38	.75	23.13	6.00	8.50	5.25	404T	22.50	60.00	69.00	10.38	48.00	.38	.75	27.00	6.00	8.50	5.25
286T	22.50	60.00	61.25	10.38	48.00	.38	.75	23.13	6.00	8.50	5.25	405T	22.50	60.00	70.50	10.38	48.00	.38	.75	27.00	6.00	8.50	5.25
284TS	20.50	52.00	59.75	9.38	40.00	.25	.75	23.13	6.00	8.50	5.25	404TS	22.50	60.00	66.00	10.38	48.00	.38	.75	27.00	6.00	8.50	5.25
286TS	20.50	52.00	59.75	9.38	40.00	.25	.75	23.13	6.00	8.50	5.25	405TS	22.50	60.00	67.50	10.38	48.00	.38	.75	27.00	6.00	8.50	5.25
324T	22.50	60.00	63.50	10.38	48.00	.38	.75	24.13	6.00	8.50	5.25												
326T	22.50	60.00	63.50	10.38	48.00	.38	.75	24.13	6.00	8.50	5.25												

SECTION 1200
PAGE 32
DATE 1/13



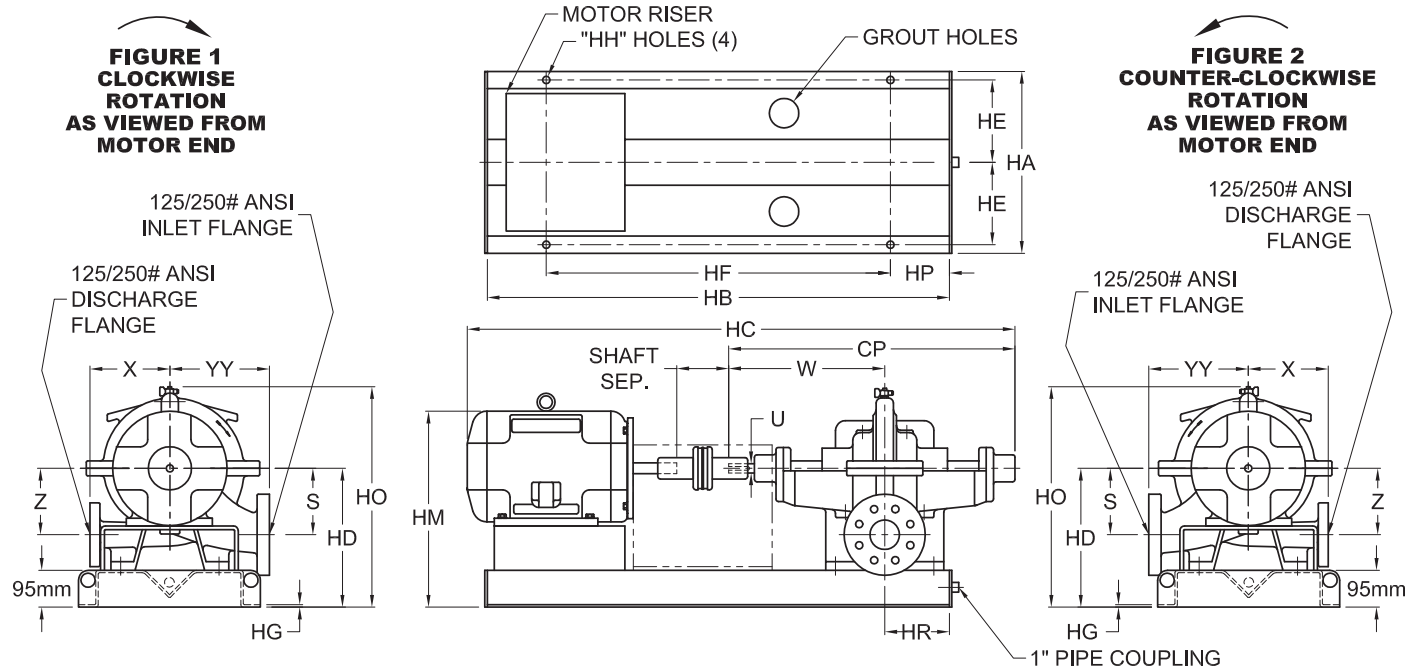
PUMPS & SYSTEMS

A Crane Co. Company

USA: (937) 778-8947 • Canada: (905) 457-6223 • International: (937) 615-3598

Split Case Pumps - Horizontally Mounted

PUMP NO.	PUMP:	MOTOR:	VOLTS:
FOR:	TDH:	HP:	HZ:
CERT. BY:	GPM:	RPM:	FRAME:
DATE:	ROTATION:	PHASE:	
	FIGURE NO:	ENCLOSURE:	



NOT FOR CONSTRUCTION, INSTALLATION OR APPLICATION PURPOSES UNLESS OTHERWISE CERTIFIED

NOTES:

1. ALL DIMENSIONS ± 3mm EXCEPT WHERE NOTED.
2. ALL GAUGE TAPPINGS TO BE 1/4" N.P.T.
3. DIMENSIONS MAY VARY. HC & HM DIMENSIONS SHOWN BASED ON U.S. ELECTRIC STANDARD EFFICIENCY ODP MOTOR.
4. MOTOR MAY EXTEND OVER BASE.
5. DIMENSIONS SHOWN ARE FOR STANDARD "DRIP TROUGH" BASE. CONSULT FACTORY FOR "DRIP PAN" BASE DIMENSIONS.

DIMENSIONS IN MILLIMETERS (Except where noted)

PUMP	DISCH. (INCH)	INLET (INCH)	CP	HD	HO	S	U	W	X	YY	Z
4L4	4	6	787	419	667	165	35	435	241	305	165
5L1	5	6	787	419	737	210	35	435	381	394	210
6L2	6	8	787	419	724	181	35	435	330	394	203

DIMENSIONS IN MILLIMETERS (Except where noted)

MOTOR FRAME	HA	HB	HC	HE	HF	HG	HH	HM	HP	HR	SHAFT SEP	MOTOR FRAME	HA	HB	HC	HE	HF	HG	HH	HM	HP	HR	SHAFT SEP
182T	521	1321	1302	238	1016	6	19	521	152	216	133	324TS	572	1524	1575	264	1219	10	19	613	152	216	133
184T	521	1321	1302	238	1016	6	19	521	152	216	133	326TS	572	1524	1575	264	1219	10	19	613	152	216	133
213T	521	1321	1327	238	1016	6	19	546	152	216	133	364T	572	1524	1600	264	1219	10	19	651	152	216	133
215T	521	1321	1365	238	1016	6	19	546	152	216	133	365T	572	1524	1676	264	1219	10	19	651	152	216	133
254T	521	1321	1499	238	1016	6	19	565	152	216	133	364TS	572	1524	1600	264	1219	10	19	651	152	216	133
256T	521	1321	1511	238	1016	6	19	565	152	216	133	365TS	572	1524	1626	264	1219	10	19	651	152	216	133
284T	572	1524	1556	264	1219	10	19	587	152	216	133	404T	572	1524	1753	264	1219	10	19	686	152	216	133
286T	572	1524	1556	264	1219	10	19	587	152	216	133	405T	572	1524	1791	264	1219	10	19	686	152	216	133
284TS	521	1321	1518	238	1016	6	19	587	152	216	133	404TS	572	1524	1676	264	1219	10	19	686	152	216	133
286TS	521	1321	1518	238	1016	6	19	587	152	216	133	405TS	572	1524	1715	264	1219	10	19	686	152	216	133
324T	572	1524	1613	264	1219	10	19	613	152	216	133												
326T	572	1524	1613	264	1219	10	19	613	152	216	133												