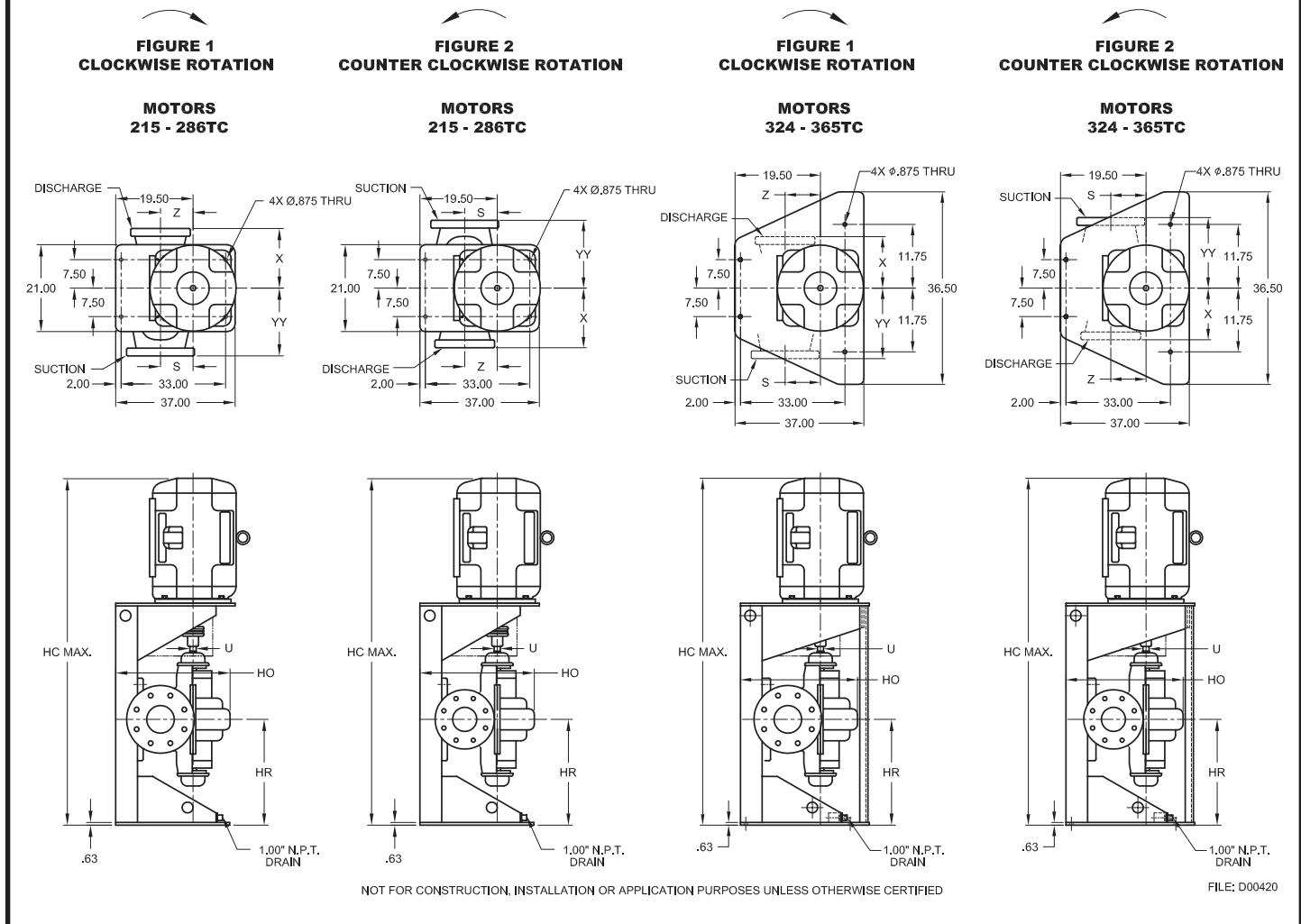


Split Case Pumps - Vertically Mounted

PUMP NO.	PUMP:	MOTOR:	VOLTS:
FOR:	TDH:	HP:	HZ:
CERT. BY:	ROTATION:	RPM:	FRAME:
DATE:	FIGURE NO:	PHASE:	
		ENCLOSURE:	



DIMENSIONS IN INCHES							
PUMP	DISCH.	SUCT.	HO	S	X	YY	Z
8LVM3	8	10	29.75	7.75	16.00	16.00	7.75

KEYWAY	U
.313 x .156	1.375

NOTES:
1. ALL DIMENSIONS ±.13 EXCEPT WHERE NOTED.
"HR" DIM. ±.25

DIMENSIONS IN INCHES						
HORSEPOWER			3 PH MOTOR FRAME	HC	HR	SHAFT SEP
3500	1750	1150				
	10	5	215TC	68.50	25.31	5.0
	15	7.5	254TC	73.19	24.69	5.0
	20	10	256TC	73.19	24.69	5.0
	25	15	284TC	74.69	24.06	5.0
	30	20	286TC	74.69	24.06	5.0
	40	25	324TC	77.00	23.44	5.0
	50	30	326TC	77.00	23.44	5.0
	60	40	364TC	78.31	22.81	5.0
	75	50	365TC	78.31	22.81	5.0

Split Case Pumps - Vertically Mounted

PUMP NO.	PUMP:	MOTOR:	VOLTS:
FOR:	TDH:	HP:	HZ:
CERT. BY:	GPM:	RPM:	FRAME:
DATE:	ROTATION:	PHASE:	
	FIGURE NO:	ENCLOSURE:	

FIGURE 1
CLOCKWISE ROTATION

MOTORS
215 - 286TC

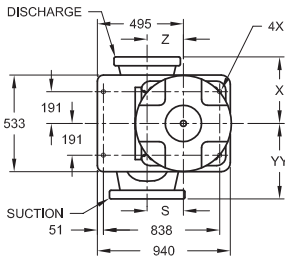


FIGURE 2
COUNTER CLOCKWISE ROTATION

MOTORS
215 - 286TC

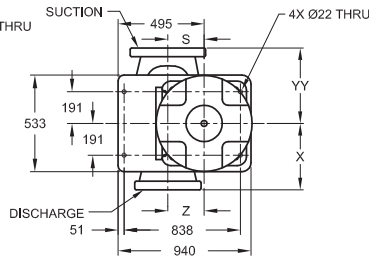


FIGURE 1
CLOCKWISE ROTATION

MOTORS
324 - 365TC

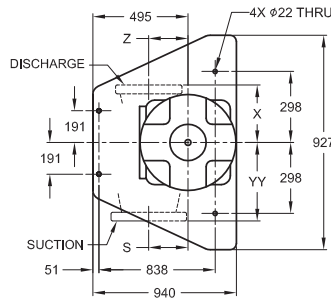
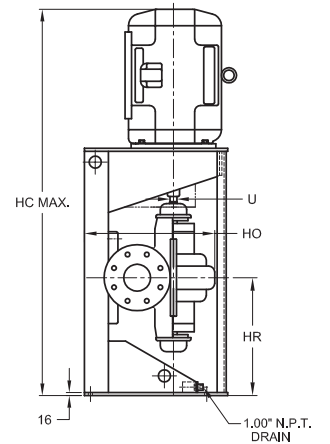
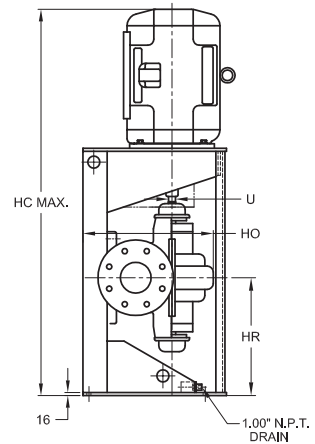
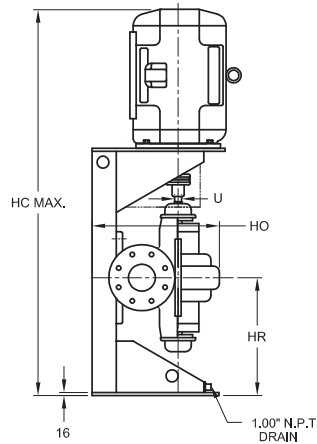
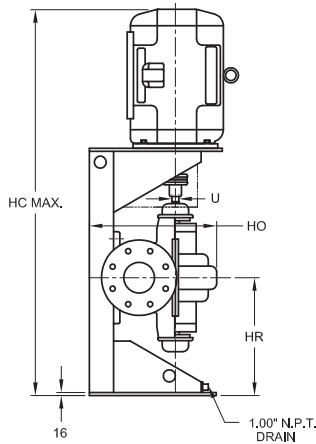
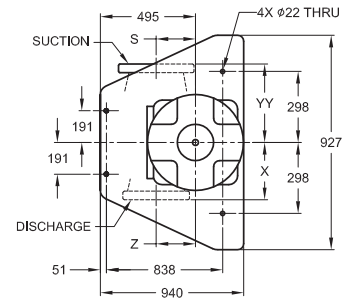


FIGURE 2
COUNTER CLOCKWISE ROTATION

MOTORS
324 - 365TC



NOT FOR CONSTRUCTION, INSTALLATION OR APPLICATION PURPOSES UNLESS OTHERWISE CERTIFIED

FILE: D00420m

DIMENSIONS IN MILLIMETERS (Except where noted)

PUMP	DISCH. (inch)	SUCT. (inch)	HO	S	X	YY	Z
8LVM3	8	10	756	197	406	406	197

KEYWAY	U
8 x 4	35

NOTES:

- ALL DIMENSIONS ± 3.3mm EXCEPT WHERE NOTED.
"HR" DIM. ± 6.3mm

DIMENSIONS IN MILLIMETERS (Except where noted)

HORSEPOWER			3 PH MOTOR FRAME	HC	HR	SHAFT SEP
3500	1750	1150				
	10	5	215TC	1740	643	127
	15	7.5	254TC	1859	627	127
	20	10	256TC	1859	627	127
	25	15	284TC	1897	611	127
	30	20	286TC	1897	611	127
	40	25	324TC	1956	595	127
	50	30	326TC	1956	595	127
	60	40	364TC	1989	579	127
	75	50	365TC	1989	579	127