

6LVM1, 8LVM2A,B

Spacer Coupling/C-Face Motors
6" & 8" Discharge, Standard (Inches)

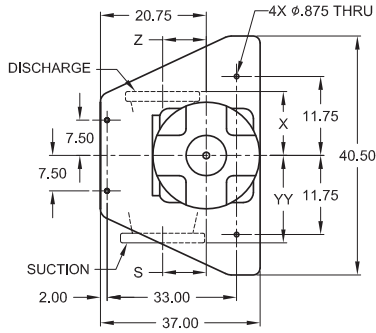


www.cranepumps.com

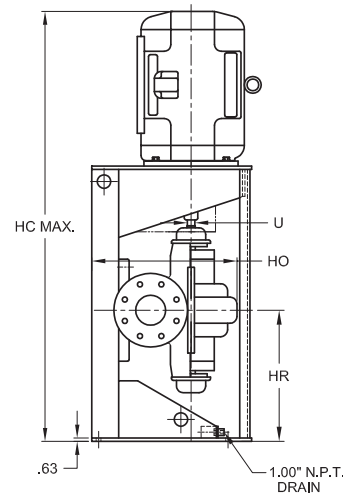
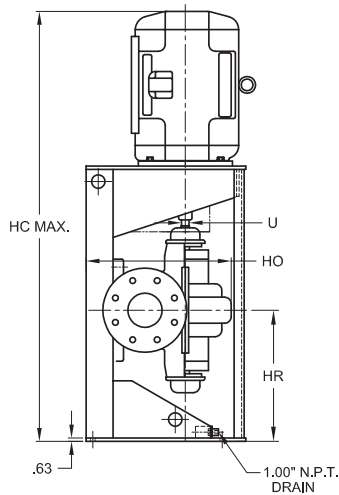
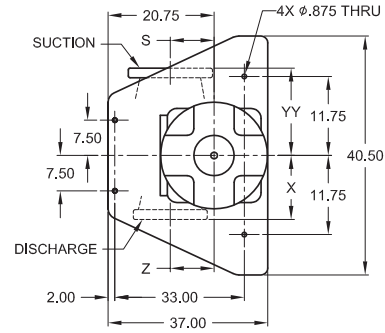
Split Case Pumps - Vertically Mounted

PUMP NO.	PUMP: TDH: GPM: ROTATION: FIGURE NO:	MOTOR: HP: RPM: PHASE: ENCLOSURE:	VOLTS: HZ: FRAME:
FOR:			
CERT. BY:	DATE:		

**FIGURE 1
CLOCKWISE ROTATION**



**FIGURE 2
COUNTER CLOCKWISE ROTATION**



NOT FOR CONSTRUCTION, INSTALLATION OR APPLICATION PURPOSES UNLESS OTHERWISE CERTIFIED

FILE: D00421

DIMENSIONS IN INCHES

PUMP	DISCH.	SUCT.	HO	S	X	YY	Z
6LVM1	6	8	33.00	9.25	16.00	17.00	8.75
8LVM2A,B	8	10	32.63	8.75	16.00	18.00	8.75

KEYWAY	U
.375 x .188	1.562

NOTES:

- ALL DIMENSIONS ±.13 EXCEPT WHERE NOTED.
"HR" DIM. ±.25

DIMENSIONS IN INCHES

HORSEPOWER			3 PH MOTOR FRAME	HC	HR	SHAFT SEP
3500	1750	1150				
	15	7.5	254TC	77.44	25.81	5.0
	20	10	256TC	77.44	25.81	5.0
	25	15	284TC	78.94	25.19	5.0
	30	20	286TC	78.94	25.19	5.0
	40	25	324TC	81.25	24.56	5.0
	50	30	326TC	81.25	24.56	5.0
	60	40	364TC	82.56	23.94	5.0
	75	50	365TC	82.56	23.94	5.0
	100	60	404TSC	82.56	25.56	5.0
	125	75	405TSC	82.56	25.56	5.0
	150	100	444TSC	92.31	25.06	5.0

SECTION 1100
PAGE 16
DATE 4/14



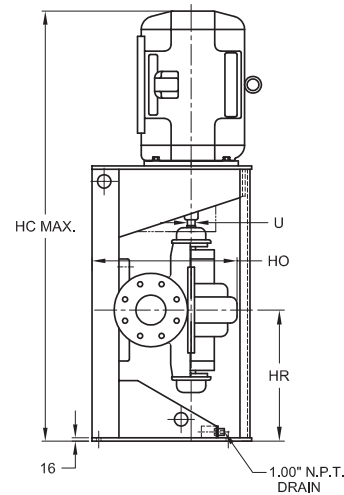
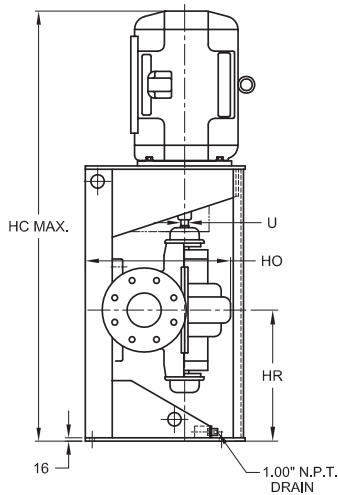
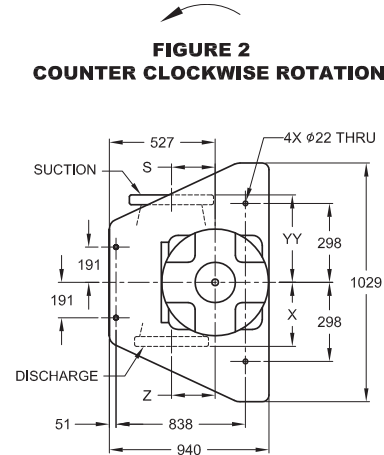
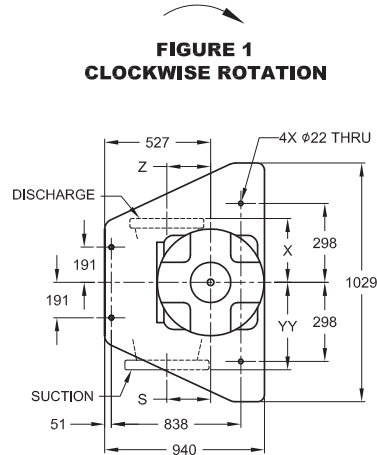
A Crane Co. Company

PUMPS & SYSTEMS

USA: (937) 778-8947 • Canada: (905) 457-6223 • International: (937) 615-3598

Split Case Pumps - Vertically Mounted

PUMP NO.	PUMP:	MOTOR:	VOLTS:
FOR:	TDH:	HP:	HZ:
CERT. BY:	GPM:	RPM:	FRAME:
DATE:	ROTATION:	PHASE:	
	FIGURE NO:	ENCLOSURE:	



NOT FOR CONSTRUCTION, INSTALLATION OR APPLICATION PURPOSES UNLESS OTHERWISE CERTIFIED FILE: D00421m

DIMENSIONS IN MILLIMETERS (Except where noted)

PUMP	DISCH. (inch)	SUCT. (inch)	HO	S	X	YY	Z
6LVM1	6	8	838	235	406	432	222
8LVM2A,B	8	10	829	222	406	457	222

KEYWAY	U
9.5 x 4.8	40

NOTES:

- ALL DIMENSIONS ± 3.3mm EXCEPT WHERE NOTED.
"HR" DIM. ± 6.3mm

DIMENSIONS IN MILLIMETERS (Except where noted)

HORSEPOWER			3 PH MOTOR FRAME	HC	HR	SHAFT SEP
3500	1750	1150				
	15	7.5	254TC	1967	656	127
	20	10	256TC	1967	656	127
	25	15	284TC	2005	640	127
	30	20	286TC	2005	640	127
	40	25	324TC	2064	624	127
	50	30	326TC	2064	624	127
	60	40	364TC	2097	608	127
	75	50	365TC	2097	608	127
	100	60	404TSC	2097	649	127
	125	75	405TSC	2097	649	127
	150	100	444TSC	2344	636	127