

Split Case Pumps - Vertically Mounted

PUMP NO.	PUMP: TDH: GPM: ROTATION: FIGURE NO:	MOTOR: HP: RPM: PHASE: ENCLOSURE:	VOLTS: HZ: FRAME:
FOR:			
CERT. BY:	DATE:		

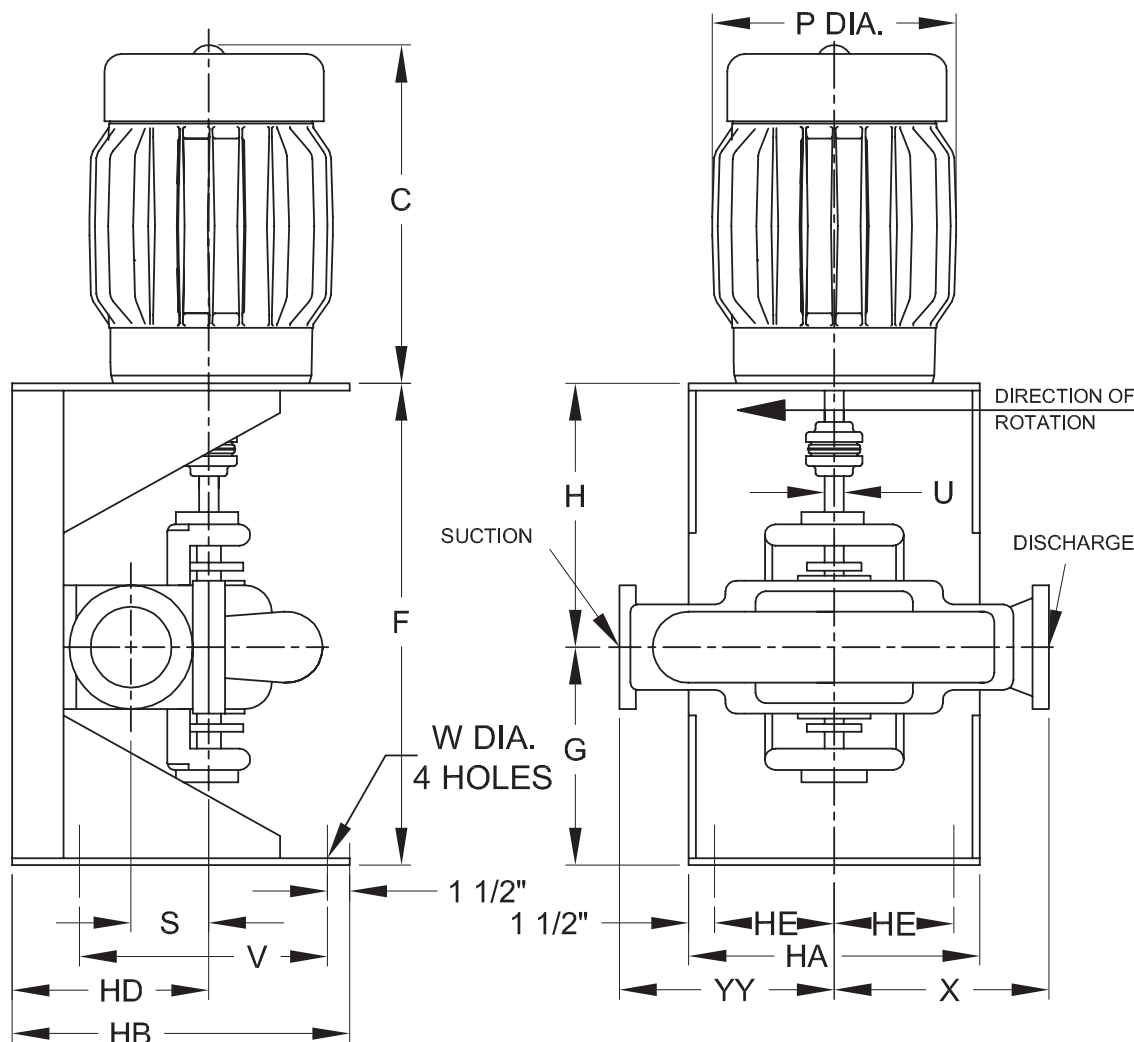


FIG.	SUCT.	DISCH.	MAX. IMP. DIA.	HA	*HB	HD	HE	F	G	H	S	X	YY	U	∅ V	W	PUMP WT.	BASE WT.
6LVM7	8+	6	20			19½					8¼	15	16				855	500
8LVM7	10+	8	17								7¾	13	16				875	
8LVM8	10+	8	20	18	34	7½	41%	18¾	22%		10	15	17	1⅞	31	¾	980	
10LVM7	12+	10	14½			22					9	17	18				1130	
10LVM8	12	10	17								9	17	20				1225	

MOTOR DATA			
FRAME	C	P	APPROX. WEIGHT
324TSC	22¾/16	16¹¹/16	465
326TSC	23¹¹/16	16¹¹/16	550
364TSC	27⁷/16	18¾	734
365TSC	28⁷/16	18¾	845
404TSC	30¾/16	20¹³/16	1026
405TSC	31¹¹/16	20¹³/16	1079
444TSC	34¾	23¹/16	1480
445TSC	36¾	23¹/16	1586

444-445TSC Model, 8 x 6 x 20 & 10 x 8 x 17: *HB = 35, ∅ V = 32

SIZE	SUCT & DISCH 125LB ASA FF			SUCT & DISCH 250LB ASA FF		
	DIA.	# -BOLTS	B.C.	DIA.	# -BOLTS	B.C.
6	11	8 - ¾	9½	12½	12 - ¾	10%
8	13½	8 - ¾	11¾	15	12 - ¾	13
10	16	12 - 1	14¾	17½	16 - 1	15¼
12	19	12 - 1	17	20½	16 - 1⅞	17¾

RIGHT HAND OR CLOCKWISE ROTATION FURNISHED UNLESS OTHERWISE SPECIFIED.

(+) TOP 2 BOLT HOLES OF FLANGE ARE TAPPED.

(*) SIZE 3x2x8 WITH 250 LB FLANGES.

YY DIM. IS 7-3/8", X DIM IS 6-5/8".

(▲) TOP 6 BOLT HOLES OF FLANGE ARE TAPPED.

(■) DISCHARGE FLANGES ARE 250 LB FLANGE.

SECTION 1100
PAGE 22
DATE 2/10



A Crane Co. Company

PUMPS & SYSTEMS

Split Case Pumps - Vertically Mounted

PUMP NO.	PUMP:	MOTOR:	VOLTS:
FOR:	TDH:	HP:	HZ:
CERT. BY:	GPM:	RPM:	FRAME:
DATE:	ROTATION:	PHASE:	
	FIGURE NO:	ENCLOSURE:	

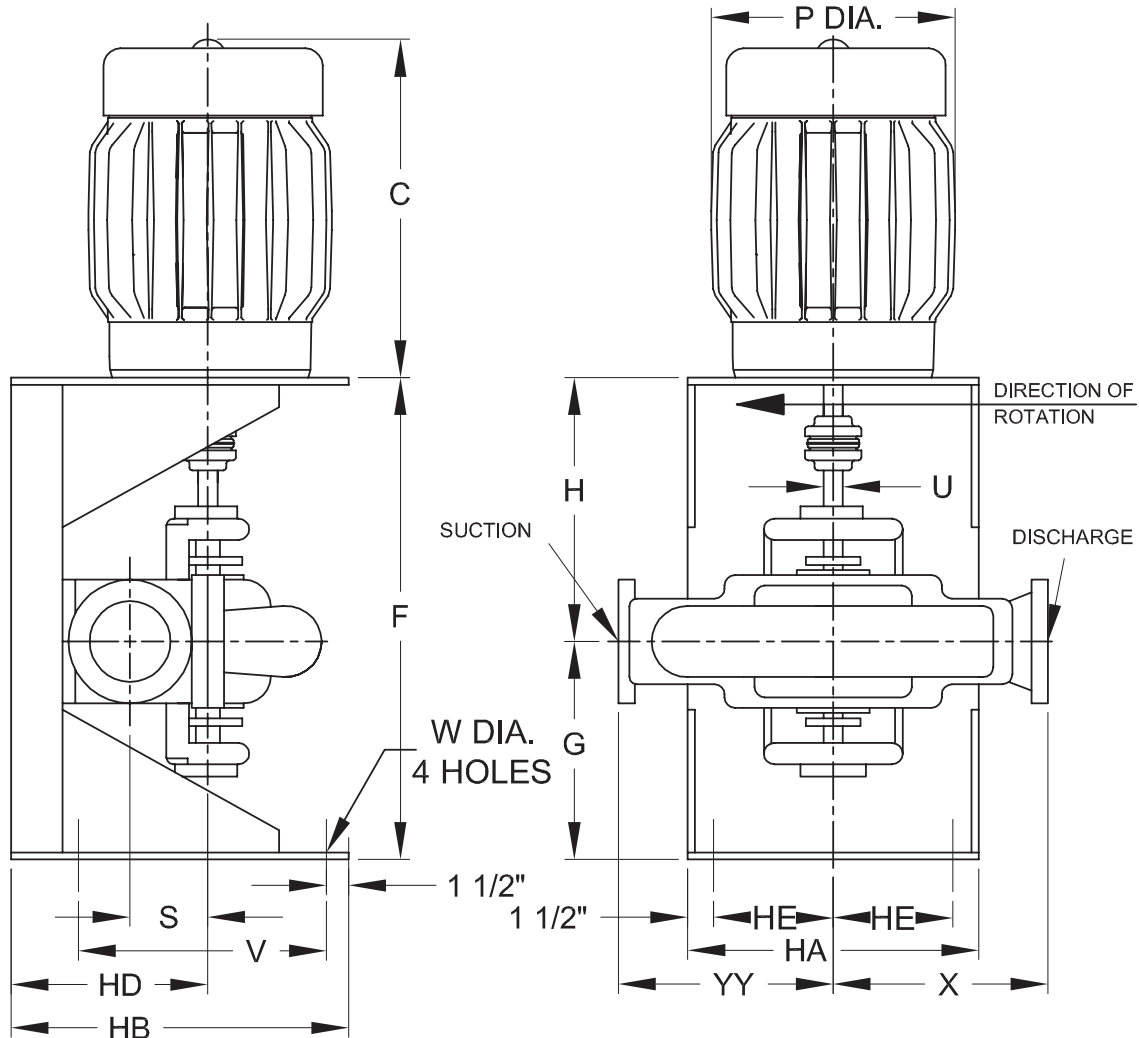


FIG.	SUCT.	DISCH.	MAX. IMP. DIA.	HA	*HB	HD	HE	F	G	H	S	X	YY	U	∅ V	W	PUMP WT.	BASE WT.
6LVM7	8+	6■	20			495					210	381	406				855	
8LVM7	10+	8+	17								197	330	406				875	
8LVM8	10+	8■	20	457	864		191	1057	476	581	254	381	432	48	787	19	980	500
10LVM7	12+	10	14½			559					229	432	457				1130	
10LVM8	12▲	10	17								229	432	508				1225	

MOTOR DATA			
FRAME	C	P	APPROX. WEIGHT
324TSC	564	424	465
326TSC	602	424	550
364TSC	697	476	734
365TSC	722	476	845
404TSC	767	529	1026
405TSC	805	529	1079
444TSC	873	586	1480
445TSC	924	586	1586

444-445TSC Model, 8 x 6 x 20 & 10 x 8 x 17: *HB = 889, ∅ V = 813

SIZE	SUCT & DISCH 125LB ASA FF			SUCT & DISCH 250LB ASA FF		
	DIA.	# - BOLTS	B.C.	DIA.	# - BOLTS	B.C.
6	11	8 - 19	241	12½	12 - 19	270
8	13½	8 - 22	299	15	12 - 22	330
10	16	12 - 25	362	17½	16 - 25	387
12	19	12 - 25	432	20½	16 - 29	451

RIGHT HAND OR CLOCKWISE ROTATION
FURNISHED UNLESS OTHERWISE SPECIFIED.

(+) TOP 2 BOLT HOLES OF FLANGE ARE TAPPED.

(*) SIZE 3x2x8 WITH 250 LB FLANGES.

YY DIM. IS 7-3/8", X DIM IS 6-5/8".

(▲) TOP 6 BOLT HOLES OF FLANGE ARE TAPPED.

(■) DISCHARGE FLANGES ARE 250 LB FLANGE.