

# Type "L"

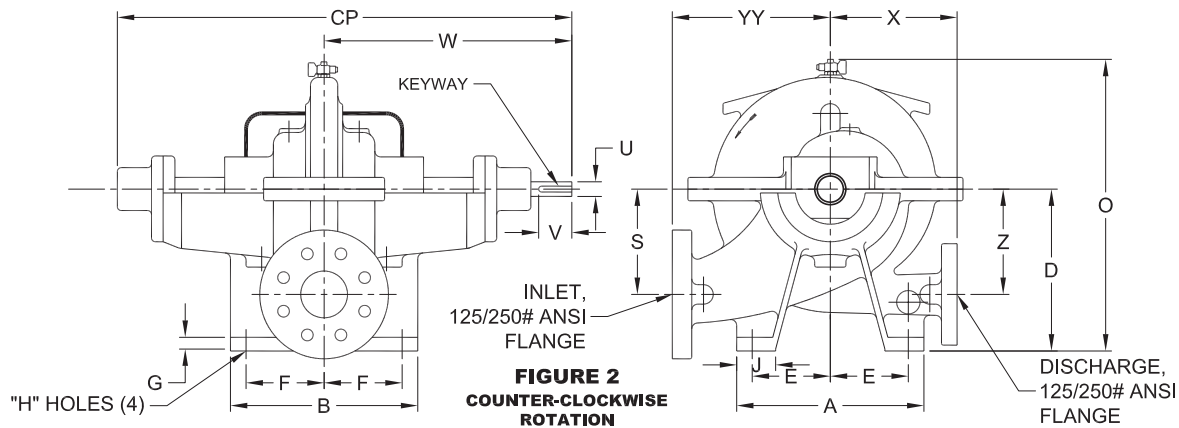
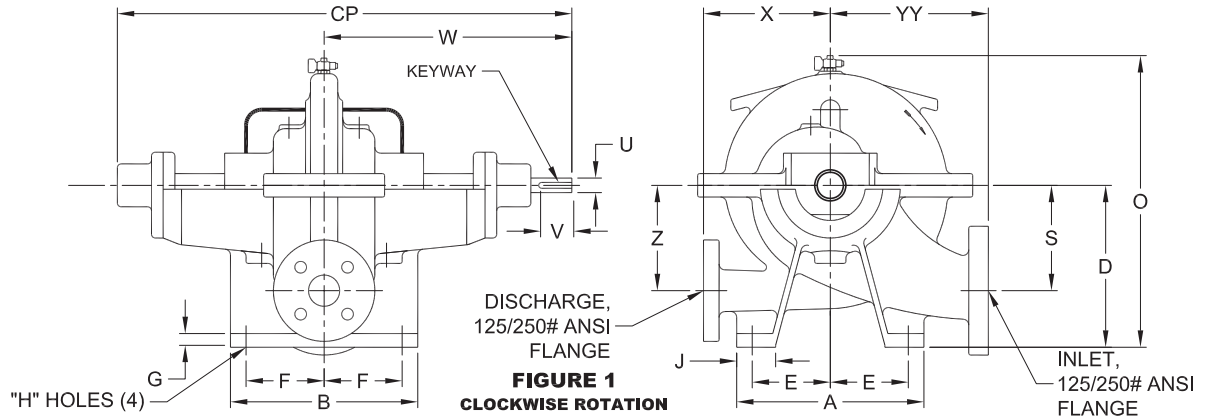
2", 3", 4" & 5" Discharge, Double Suction  
Standard (Inches)

# WEINMAN®

www.cranepumps.com

## Split Case Pumps - Horizontally Mounted

PUMP NO.	PUMP: TDH: GPM: ROTATION: FIGURE NO:	MOTOR: HP: RPM: PHASE: ENCLOSURE:	VOLTS:  HZ: FRAME:
FOR:			
CERT. BY:	DATE:		



NOT FOR CONSTRUCTION, INSTALLATION OR APPLICATION PURPOSES UNLESS OTHERWISE CERTIFIED

### DIMENSIONS IN INCHES

PUMP	DISCH.	INLET	A	B	D	E	F	G	H	J	O	S	U	V	W*	W**	X	Z	CP	YY	KEYWAY (INCH)
2L4A	2	3	12.00	12.00	10.25	5.00	5.00	.75	.75	2.50	19.25	5.50	.94	2.63	14.75	15.88	8.00	5.50	26.88	9.00	.25 x .13
2L5	2	3	12.00	12.00	10.25	5.00	5.00	.75	.75	2.50	21.50	6.75	.94	2.63	14.75	15.88	9.00	7.75	26.88	11.00	.25 x .13
2L6	2	3	12.00	12.00	10.25	5.00	5.00	.75	.75	2.50	20.50	6.75	.94	2.63	14.75	15.88	8.00	6.75	26.88	10.00	.25 x .13
3L4	3	4	14.00	14.25	10.75	6.00	6.25	.75	.75	2.50	20.00	6.13	1.13	3.00	16.25	18.63	9.25	6.12	29.50	10.00	.25 x .13
3L5	3	4	14.00	14.25	10.75	6.00	6.25	.75	.75	2.50	22.25	6.25	1.13	3.00	16.25	18.63	10.50	8.25	29.50	12.00	.25 x .13
3L6	3	4	12.00	12.00	10.25	5.00	5.00	.75	.75	2.50	20.75	7.00	.94	2.63	14.75	15.88	10.00	7.00	26.88	11.00	.25 x .13
4L1A,B	4	5	14.00	14.50	10.75	6.00	6.25	.75	.75	2.50	22.75	7.00	1.13	3.00	16.25	18.63	12.00	7.88	29.50	14.00	.25 x .13
4L2	4	5	12.00	12.00	10.25	5.00	5.00	.75	.75	2.50	20.75	6.50	.94	2.63	14.75	15.88	11.75	7.00	26.88	12.75	.25 x .13
4L3	4	5	12.00	12.00	10.25	5.00	5.00	.75	.75	2.50	19.75	5.25	.94	2.63	14.75	15.88	9.25	5.88	26.88	11.25	.25 x .13
4L4	4	6	16.00	16.00	12.75	7.00	7.00	.75	.75	2.50	22.50	6.50	1.38	3.25	17.13	18.63	9.50	6.50	31.00	12.00	.31 x .16
5L1	5	6	16.00	16.00	12.75	7.00	7.00	.75	.75	3.00	25.25	8.25	1.38	3.25	17.13	18.63	15.00	8.25	31.00	15.50	.31 x .16
5L2	5	6	14.00	14.25	10.75	6.00	6.25	.75	.75	2.50	22.25	6.75	1.13	3.00	16.25	18.63	12.00	7.63	29.50	14.00	.25 x .13
5L3	5	6	12.00	12.00	10.25	5.00	5.00	.75	.75	2.50	20.25	6.00	.94	2.63	14.75	15.88	11.00	6.50	26.88	12.50	.25 x .13

(\*) Grease Lubed;

(\*\*) Oil Lubed

SECTION 1200  
PAGE 18  
DATE 2/15

## CRANE®

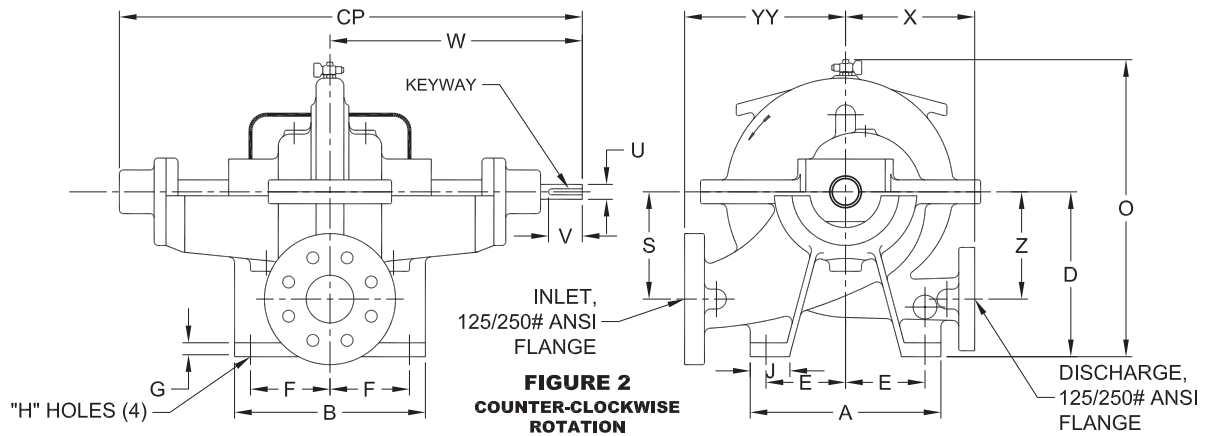
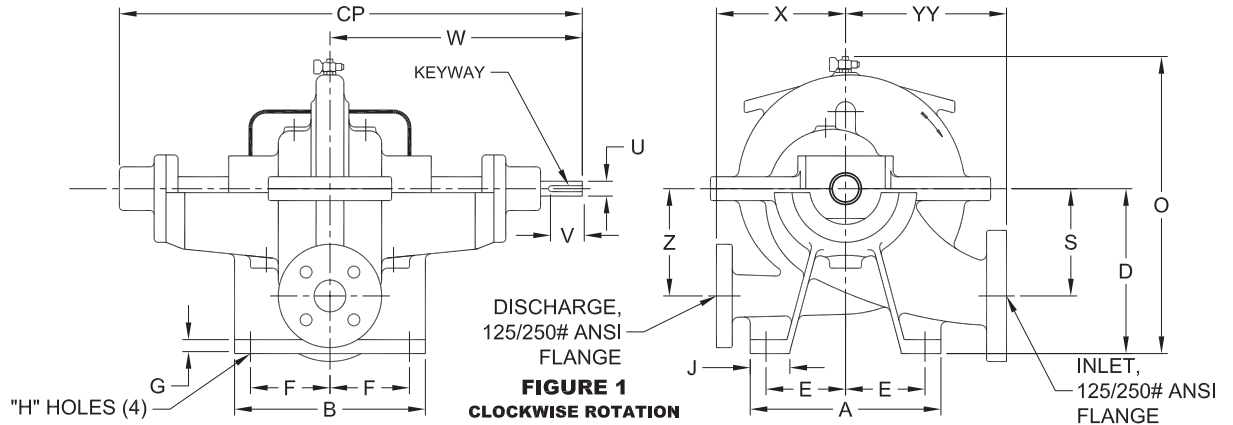
A Crane Co. Company

## PUMPS & SYSTEMS

USA: (937) 778-8947 • Canada: (905) 457-6223 • International: (937) 615-3598

### Split Case Pumps - Horizontally Mounted

<b>PUMP NO.</b>	<b>PUMP:</b>	<b>MOTOR:</b>	<b>VOLTS:</b>
<b>FOR:</b>	<b>TDH:</b>	<b>HP:</b>	<b>HZ:</b>
<b>CERT. BY:</b>	<b>GPM:</b>	<b>RPM:</b>	<b>FRAME:</b>
<b>DATE:</b>	<b>ROTATION:</b>	<b>PHASE:</b>	
	<b>FIGURE NO:</b>	<b>ENCLOSURE:</b>	



**NOT FOR CONSTRUCTION, INSTALLATION OR APPLICATION PURPOSES UNLESS OTHERWISE CERTIFIED**

**DIMENSIONS IN MILLIMETERS (Except where noted)**

PUMP	DISCH. (INCH)	INLET (INCH)	A	B	D	E	F	G	H	J	O	S	U	V	W*	W**	X	Z	CP	YY	KEYWAY (INCH)
2L4A	2	3	305	305	260	127	127	19	19	64	489	140	24	67	375	403	203	140	683	229	.25 x .13
2L5	2	3	305	305	260	127	127	19	19	64	546	171	24	67	375	403	229	197	683	279	.25 x .13
2L6	2	3	305	305	260	127	127	19	19	64	521	171	24	67	375	403	203	171	683	254	.25 x .13
3L4	3	4	356	362	273	152	159	19	19	64	508	156	29	76	413	473	235	155	749	254	.25 x .13
3L5	3	4	356	362	273	152	159	19	19	64	565	159	29	76	413	473	267	210	749	305	.25 x .13
3L6	3	4	305	305	260	127	127	19	19	64	527	178	24	67	375	403	254	178	683	279	.25 x .13
4L1A,B	4	5	356	368	273	152	159	19	19	64	578	178	29	76	413	473	305	200	749	356	.25 x .13
4L2	4	5	305	305	260	127	127	19	19	64	527	165	24	67	375	403	298	178	683	324	.25 x .13
4L3	4	5	305	305	260	127	127	19	19	64	502	133	24	67	375	403	235	149	683	286	.25 x .13
4L4	4	6	406	406	324	178	178	19	19	64	572	165	35	83	435	473	241	165	787	305	.31 x .16
5L1	5	6	406	406	324	178	178	19	19	76	642	210	35	83	435	473	381	210	787	394	.31 x .16
5L2	5	6	356	362	273	152	159	19	19	64	565	171	29	76	413	473	305	194	749	356	.25 x .13
5L3	5	6	305	305	260	127	127	19	19	64	514	152	24	67	375	403	279	165	683	318	.25 x .13

(\*) Grease Lubed;

(\*\*) Oil Lubed