

Type "L"

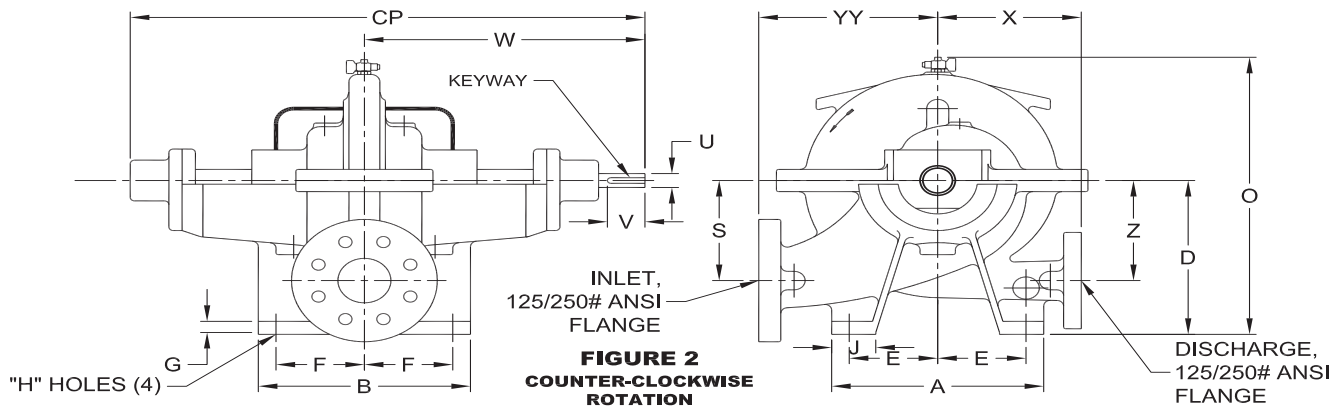
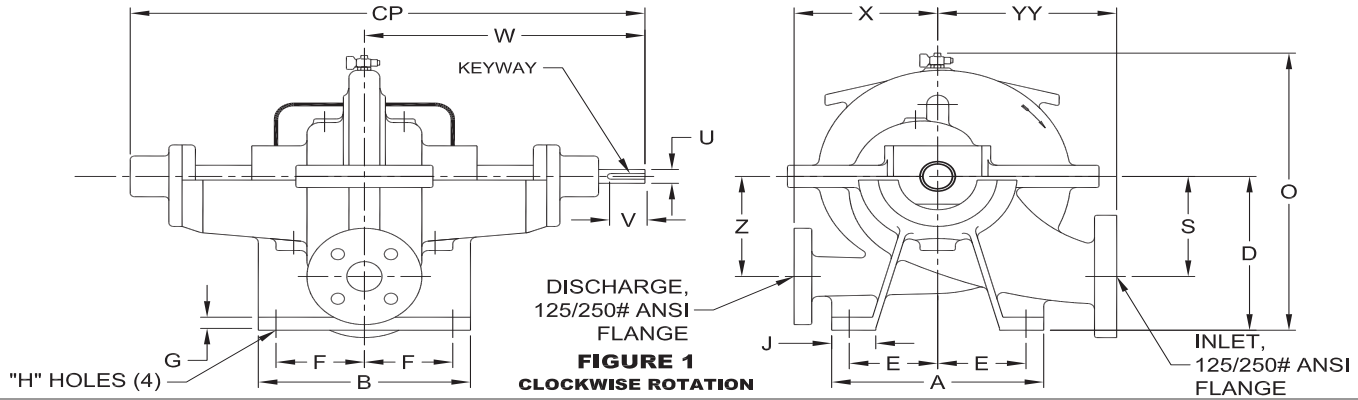
6", 8", 10" & 12" Discharge, Double Suction
Standard (Inches)

WEINMAN®

www.cranepumps.com

Split Case Pumps - Horizontally Mounted

PUMP NO.	PUMP: TDH: GPM: ROTATION: FIGURE NO:	MOTOR: HP: RPM: PHASE: ENCLOSURE:	VOLTS: HZ: FRAME:
FOR:			
CERT. BY:	DATE:		



NOT FOR CONSTRUCTION, INSTALLATION OR APPLICATION PURPOSES UNLESS OTHERWISE CERTIFIED

DIMENSIONS IN INCHES

PUMP	DISCH.	INLET	A	B	D	E	F	G	H	J	O	S	U	V	W*	W**	X	Z	CP	YY	KEYWAY (INCH)
6L1	6	8	18.00	20.00	14.75	8.00	9.00	.88	.88	3.25	28.75	9.25	1.56	3.63	20.25	21.88	16.00	8.75	36.88	17.00	.38 x .19
6L2	6	8	16.00	16.00	12.75	7.00	7.00	.75	.88	3.00	24.75	7.13	1.38	3.25	17.13	18.63	13.00	8.00	31.00	15.50	.31 x .16
6L3	6	8	14.00	14.50	10.75	6.00	6.25	.75	.75	2.50	21.50	6.88	1.13	3.00	16.25	18.63	12.50	6.88	29.50	15.00	.25 x .13
6L7	6+	8+	12.00	16.00	14.50	5.00	6.75	1.25	.75	1.00	28.00	8.25	1.88	3.88	18.00	18.00	15.00	8.25	32.12	16.00	.50 x .25
8L1	8	10	19.00	19.00	18.25	8.00	8.00	1.25	.88	3.38	33.25	10.50	2.13	4.13	22.75	22.75	18.00	10.50	42.00	18.00	.50 x .25
8L2A,B	8	10	18.00	20.00	14.75	8.00	9.00	.88	.88	3.25	28.50	8.75	1.56	3.63	20.25	21.88	16.00	8.75	36.88	18.00	.38 x .19
8L3	8	10	16.00	16.00	13.50	7.00	7.00	.75	.75	3.00	24.75	7.75	1.38	3.25	17.13	18.63	16.00	7.75	31.00	16.00	.31 x .16
8L7	8+	10+	12.00	16.00	14.50	5.00	6.75	1.25	.75	1.00	26.88	7.75	1.88	3.88	18.00	18.00	13.00	7.75	32.12	16.00	.50 x .25
8L8	8•	10+	12.00	16.00	17.00	5.00	6.75	1.25	.75	1.00	31.00	10.00	1.88	3.88	18.00	18.00	15.00	10.00	32.12	17.00	.50 x .25
10L2A	10	12	24.00	24.00	18.25	10.75	10.75	1.25	.88	3.00	33.25	10.00	1.75	3.63	22.75	24.25	20.00	10.00	42.50	20.00	.38 x .19
10L3A,B	10	12	18.00	20.00	17.00	8.00	9.00	1.00	.88	4.00	30.75	10.00	1.56	3.63	20.25	21.88	16.00	10.00	36.88	20.50	.38 x .19
10L7	10	12+	12.00	16.00	17.00	5.00	6.75	1.25	.88	1.00	30.25	9.00	1.88	3.88	18.00	18.00	17.00	9.00	32.12	18.00	.50 x .25
10L8	10	12+	12.00	16.00	17.00	5.00	6.75	1.25	.88	1.00	30.00	9.00	1.88	3.88	18.00	18.00	17.00	9.00	32.12	20.00	.50 x .25
12L2 A,B,C	12	12 x	24.00	24.00	18.25	10.75	10.75	1.25	.88	3.50	33.50	11.25	2.13	4.13	22.75	22.75	20.00	11.25	42.00	20.00	.50 x .25

(*) Grease Lubed; (**) Oil Lubed

1. Suction and Discharge #125 Flanges except • are 250# Flange.

2. + Top 2 Bolt Holes of Flange are tapped

3. x Suction Flange Bolt Holes are tapped

SECTION 1200
PAGE 20
DATE 5/19

CRANE®

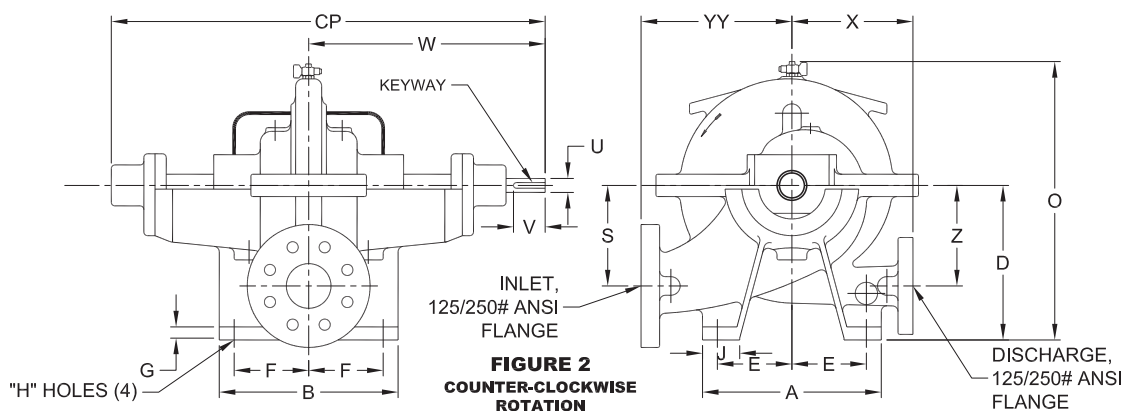
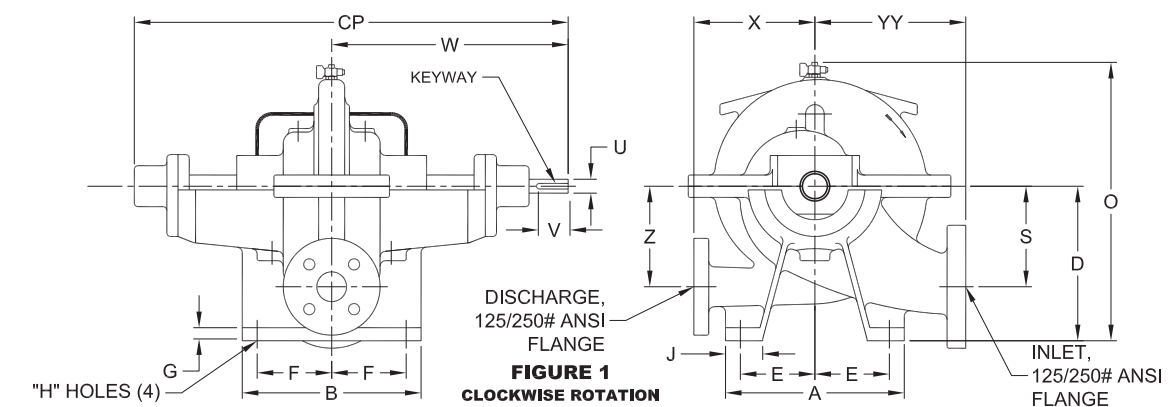
A Crane Co. Company

PUMPS & SYSTEMS

USA: (937) 778-8947 • Canada: (905) 457-6223 • International: (937) 615-3598

Split Case Pumps - Horizontally Mounted

PUMP NO.	PUMP:	MOTOR:	VOLTS:
FOR:	TDH:	HP:	HZ:
CERT. BY:	GPM:	RPM:	FRAME:
DATE:	ROTATION:	PHASE:	
	FIGURE NO:	ENCLOSURE:	



NOT FOR CONSTRUCTION, INSTALLATION OR APPLICATION PURPOSES UNLESS OTHERWISE CERTIFIED

DIMENSIONS IN MILLIMETERS (Except where noted)

PUMP	DISCH. (INCH)	INLET (INCH)	A	B	D	E	F	G	H	J	O	S	U	V	W*	W**	X	Z	CP	YY	KEYWAY (INCH)
6L1	6	8	457	508	375	203	229	22	22	83	730	235	40	92	514	556	406	222	937	432	.38 x .19
6L2	6	8	406	406	324	178	178	19	22	76	629	181	35	83	435	473	330	203	787	394	.31 x .16
6L3	6	8	356	368	273	152	159	19	19	64	546	175	29	76	413	473	318	175	749	381	.25 x .13
6L7	6 •	8 +	305	406	368	127	171	32	19	25	711	210	48	99	457	457	381	210	816	406	.50 x .25
8L1	8	10	483	483	464	203	203	32	22	86	845	267	54	105	578	578	457	267	1067	457	.50 x .25
8L2A,B	8	10	457	508	375	203	229	22	22	83	724	222	40	92	514	556	406	222	937	457	.38 x .19
8L3	8	10	406	406	343	178	178	19	19	76	629	197	35	83	435	473	406	197	787	406	.31 x .16
8L7	8 +	10 +	305	406	368	127	171	32	19	25	683	197	48	99	457	457	330	197	816	406	.50 x .25
8L8	8 •	10 +	305	406	432	127	171	32	19	25	787	254	48	99	457	457	381	254	816	432	.50 x .25
10L2A	10	12	610	610	464	273	273	32	22	76	845	254	44	92	578	616	508	254	1080	508	.38 x .19
10L3A,B	10	12	457	508	432	203	229	25	22	102	781	254	40	92	514	556	406	254	937	521	.38 x .19
10L7	10	12 +	305	406	432	127	171	32	22	25	768	229	48	99	457	457	432	229	816	457	.50 x .25
10L8	10	12 +	305	406	432	127	171	32	22	25	762	229	48	99	457	457	432	229	816	508	.50 x .25
12L2 A,B,C	12	12	610	610	464	273	273	32	22	89	851	286	54	105	578	578	508	286	1067	508	.50 x .25

(* Grease Lubed; (** Oil Lubed)

1. Suction and Discharge #125 Flanges except • are 250# Flange.

2. + Top 2 Bolt Holes of Flange are tapped

3. x Suction Flange Bolt Holes are tapped



A Crane Co. Company

PUMPS & SYSTEMS

USA: (937) 778-8947 • Canada: (905) 457-6223 • International: (937) 615-3598

SECTION 1200
PAGE 21
DATE 5/19