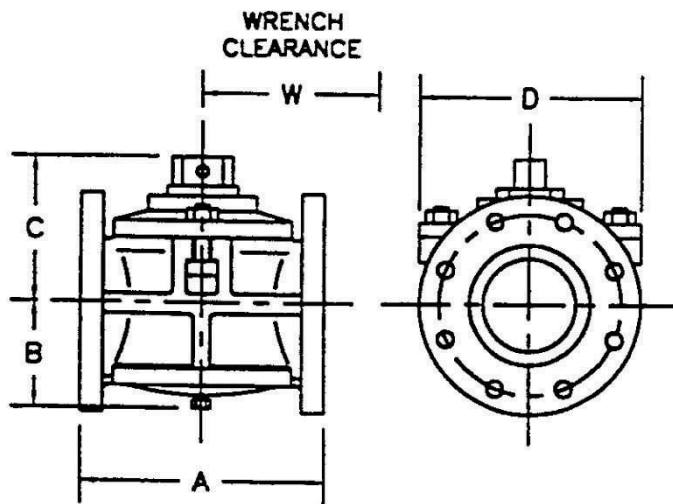


Hydronic Accessories



Maximum Operating Conditions

Working Temp.	250°F
Working Pressure	175 PSI

Materials of Construction

Body	A536 Ductile Iron
Check Valve	Cast Iron thru 3" 304 Stainless Steel 4" - 12"
Stem Packing	Nitrile "O" Ring

Flange dimensions per:
ANSI standard B16.1, Class 125

* Nominal Pipe Size

** All Flange Holes Tapped on 2½", 3", 4", 6", 8" Valves

ANSI B16.1 - 125# Flange Rating

Model No.	Part No.	Dimensions in inches (mm)						Wt. lbs.
		Size	A	B	C	D	W	
W3D-2	132500	2.00"	7.00 (178)	2.13 (54)	4.31 (109)	5.00 (127)	14.00 (356)	19
W3D-2.5	132501	2.50"	8.00 (203)	2.75 (70)	5.75 (146)	6.63 (168)	16.25 (413)	40
W3D-3	132502	3.00"	8.00 (203)	2.75 (70)	5.75 (146)	6.63 (168)	16.25 (413)	42
W3D-4	132503	4.00"	9.00 (229)	3.25 (83)	6.63 (168)	6.75 (171)	16.25 (413)	64
W3D-5	132504	5.00"	10.00 (254)	3.38 (86)	6.63 (168)	6.75 (171)	16.25 (413)	95
W3D-6	132505	6.00"	10.50 (267)	5.00 (127)	7.88 (200)	10.63 (270)	33.13 (842)	122
W3D-8	132506	8.00"	11.50 (292)	5.75 (146)	7.88 (200)	9.00 (229)	33.13 (842)	165
W3D-10	132507	10.00"	16.00 (406)	7.50 (191)	9.88 (251)	10.56 (268)	33.13 (842)	270
W3D-12	132508	12.00"	19.00 (483)	9.31 (236)	11.38 (289)	13.38 (340)	33.13 (842)	385

Job Name	Sales Representative	
Location	Model No. Ordered	
	Capacity	Liquid
Engineer	Notes	
Contractor		
Contractor P.O. No.		

Hydronic Accessories

