

quality . service
innovation . integrity

160 Series



Features

The Flow-Mate series of submersible pumps is designed for use in residential or light commercial dewatering applications and can be used to transfer groundwater or effluent. These durable cast iron pumps include a powder coated epoxy finish to prevent corrosion and are designed to provide great heat dissipation from the motor, ensuring a long service life. As with every Zoeller® pump, each one is 100% pressure-tested, submerged and run to ensure quality and reliability for years of trouble-free performance!

- Automatic models include a float-operated, 2-pole mechanical switch, a stainless steel float guard and switch arm, and a float.
- Nonautomatic units are ideal for use in septic systems, low pressure pipe (LPP), and enhanced flow STEP systems.
- For nonautomatic pumps, variable level control systems and containers of various sizes are available for longer cycles.
- Double seal models are available to improve bearing lubrication and prevent leaks and damage to seals or bearings during dry run conditions.
- Includes a stainless steel handle for easy installation and removal.
- All models are hermetically sealed to be watertight, dust-tight and completely submersible.

Reserve Powered Design: For unusual conditions a reserve safety feature is engineered into the design of every pump.

Specifications

Motor Characteristics

Motor	1/2 or 1 HP
Voltage	115 - 575 V
Phase	1 or 3 Ph
Hertz	60 Hz
RPM	3450 RPM
Type	Permanent split capacitor or 3 phase
Insulation	Class B
Amps	2.4 - 15.5 Amps

Pump Characteristics

Operation	Automatic and nonautomatic
Auto On/ Off Points	15-3/4" / 5-1/4" (40 cm / 13.3 cm)
Discharge Size	1-1/2" NPT (optional 2" or 3" flange)
Solids Handling	3/4" (19 mm) spherical solids
Cord Length	20' (6 m) standard
Cord Type	UL listed, 3-wire neoprene cord and plug (1 Ph) or 4-wire cord with no plug (3 Ph)
Max Head	86.5' (26 m)
Max Flow Rate	100 GPM (379 LPM)
Max Operating Temp	130 °F (54 °C)
Cooling	Oil filled
Motor Protection	Auto reset thermal overload (1 Ph)

Materials Characteristics

Cap	Cast iron
Motor Housing	Cast iron
Pump Housing	Cast iron
Base	Cast iron
Upper Bearing	Ball bearing
Lower Bearing	Ball bearing
Mechanical Seals	Carbon and ceramic
Impeller Type	Non-clogging vortex
Impeller	Bronze
Hardware	Stainless Steel
Motor Shaft	SAE 1117 carbon steel or 416 stainless steel*
Gasket	Neoprene square ring & gasket

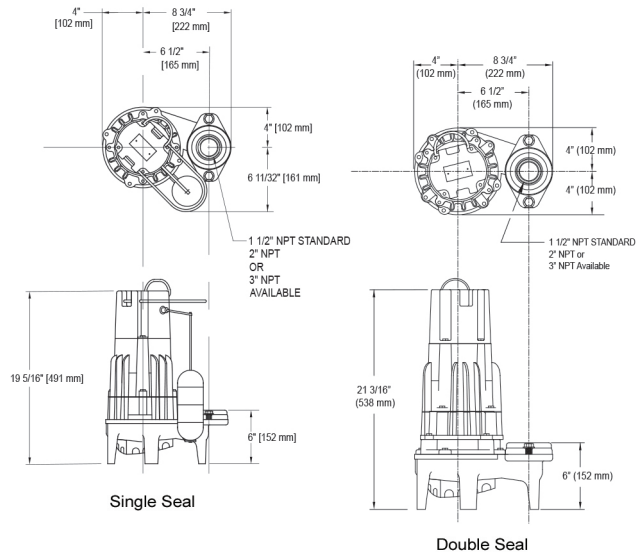
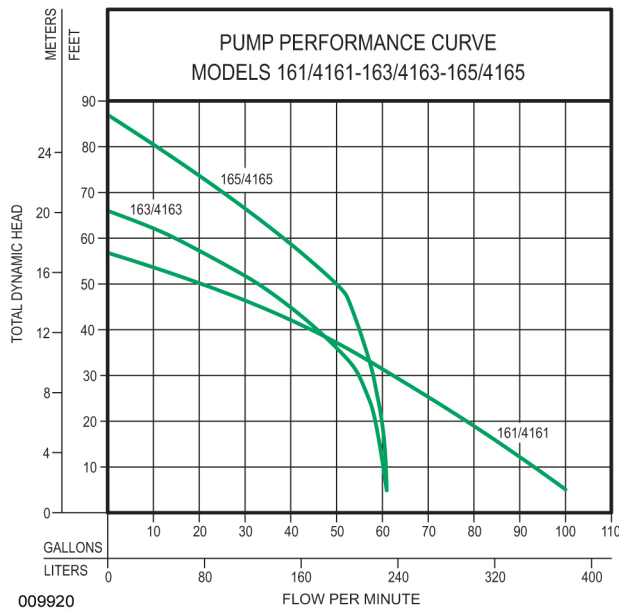


PUMP COMPANY

Zoeller Family of Water Solutions™

FM0460_Ea

160 Series



SK374/SK1413

Model

Model Number	Seal	Mode	Volts	Phase	Amps	HP	Hz	Lbs	Kg
M161	Single	Auto	115	1	15.5	1/2	60	80	36
N161 / N4161	Single / Double	Non	115	1	15.0 / 15.5	1/2	60	80 / 87	36 / 39
BN161	Single	Auto	115	1	15.0	1/2	60	84	38
D161	Single	Auto	230	1	7.5	1/2	60	80	36
E161 / E4161	Single / Double	Non	230	1	7.5	1/2	60	80 / 87	36 / 39
H161	Single	Auto	200	1	8.8	1/2	60	80	36
I161 / I4161	Single / Double	Non	200	1	8.8	1/2	60	80 / 87	36 / 39
J161 / J4161	Single / Double	Non	200	3	6.4	1/2	60	80 / 87	36 / 39
F161 / F4161	Single / Double	Non	230	3	5.2	1/2	60	80 / 87	36 / 39
G161 / G4161	Single / Double	Non	460	3	2.9	1/2	60	80 / 87	36 / 39
BA161/BA4161	Single / Double	Non	575	3	2.4	1/2	60	80 / 87	36 / 39
BE161	Single	Auto	230	1	15.0	1/2	60	84	38
M163	Single	Auto	115	1	15.0	1/2	60	80	36
N163 / N4163	Single / Double	Non	115	1	15.0	1/2	60	80 / 87	36 / 39
BN163	Single	Auto	115	1	15.0	1/2	60	84	38
D163	Single	Auto	230	1	7.5	1/2	60	80	36
E163 / E4163	Single / Double	Non	230	1	7.5	1/2	60	80 / 87	36 / 39
F163 / F4163	Single / Double	Non	230	3	4.8	1/2	60	80 / 87	36 / 39
H163	Single	Auto	200	1	8.5	1/2	60	80	36
I163 / I4163	Single / Double	Non	200	1	8.5	1/2	60	80 / 87	36 / 39
J163 / J4163	Single / Double	Non	200	3	6.0	1/2	60	80 / 87	36 / 39
G163 / G4163	Single / Double	Non	460	3	2.9	1/2	60	80 / 87	36 / 39
BA163/BA4163	Single / Double	Non	575	3	2.4	1/2	60	80 / 87	36 / 39
BE163	Single	Auto	230	1	7.5	1/2	60	84	38
D165	Single	Auto	230	1	10.2	1	60	80	36
E165 / E4165	Single / Double	Non	230	1	10.2	1	60	80 / 87	36 / 39
H165	Single	Auto	200	1	12.6	1	60	80	36
I165 / I4165	Single / Double	Non	200	1	12.6	1	60	80 / 87	36 / 39
J165 / J4165	Single / Double	Non	200	3	7.5	1	60	80 / 87	36 / 39
F165 / F4165	Single / Double	Non	230	3	7.4	1	60	80 / 87	36 / 39
G165 / G4165	Single / Double	Non	460	3	3.7	1	60	80 / 87	36 / 39
BA165/BA4165	Single / Double	Non	575	3	3.0	1	60	80 / 87	36 / 39

Your Peace of Mind is Our Top Priority®
3649 Cane Run Rd | Louisville, KY 40211 USA

+1 502-778-2731 | 1-800-928-7867 | Fax: +1 502-774-3624

www.zoeller.com

160 Series

Model Number	Seal	Mode	Volts	Phase	Amps	HP	Hz	Lbs	Kg
BE165	Single	Auto	230	1	10.2	1	60	84	38

*Single seal models are built with a carbon steel motor shaft, and double seal models are built with a stainless steel motor shaft.
N models available with a 20 Amp plug. H, I, J, F, G and BA models have no molded plug.
Additional cord lengths available in 25' (8 m), 35' (11 m) and 50' (15 m).

Your Peace of Mind is Our Top Priority®

3649 Cane Run Rd | Louisville, KY 40211 USA

+1 502-778-2731 | 1-800-928-7867 | Fax: +1 502-774-3624

www.zoeller.com

Product information presented here reflects conditions at time of publication. Consult factory regarding discrepancies or inconsistencies. Copyright Zoeller Company. All rights reserved.