

quality . service
innovation . integrity

40 Series



Features

This series of utility pumps is designed for use in dewatering applications and can be used to transfer groundwater. They are extremely useful for transferring unwanted water away from building foundations, basements, and work areas. Each pump is built using non-corrodible materials, ensuring a long service life. Because they are both durable and lightweight, these pumps can be easily transported from one location or project to another.

- Models 42 and 44 remove water from any flat surface down to 1/8" (3 mm), and model 46 will pump down to 1" (25 mm).
- Model 42 is adaptable for use with a standard garden hose (included), 1" NPT pipe, or 1-1/4" slip fit (discharge hose kit P/N 1010-0117).
- Model 44 is adaptable for use with a standard garden hose fitting (included), 1-1/4" female NPT, or 3/4" female NPT adapter.
- Model 46 has a 2" NPT discharge with a 2" hose adapter.
- Removable screened bottom for easy cleaning.
- All models are hermetically sealed to be watertight, dust-tight, and completely submersible.

Specifications

Motor Characteristics

Motor	1/6 - 1/2 HP
Voltage	115 V
Phase	1 Ph
Hertz	60 Hz
RPM	3450 RPM
Type	Permanent split capacitor
Insulation	Class B
Amps	1.5 - 6.0 Amps

Pump Characteristics

Operation	Automatic and nonautomatic
Discharge Size	Various
Cord Length	9 or 20' (3 or 6 m) standard
Cord Type	3-prong
Max Head	33' (10 m)
Max Flow Rate	3,300 GPH (12,492 LPH)
Max Operating Temp	104 °F (40 °C)
Cooling	Oil free or oil filled
Motor Protection	Auto reset thermal overload

Materials Characteristics

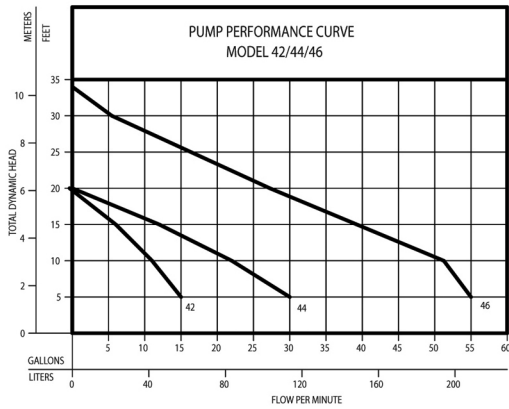
Motor Housing	Engineered plastic
Base	Engineered plastic
Upper Bearing	Ball bearing
Lower Bearing	Ball bearing
Mechanical Seals	Carbon and ceramic
Impeller Type	Non-clogging vortex
Impeller	Engineered plastic
Hardware	Stainless steel
Motor Shaft	SUS 416 stainless steel
Gasket	NBR



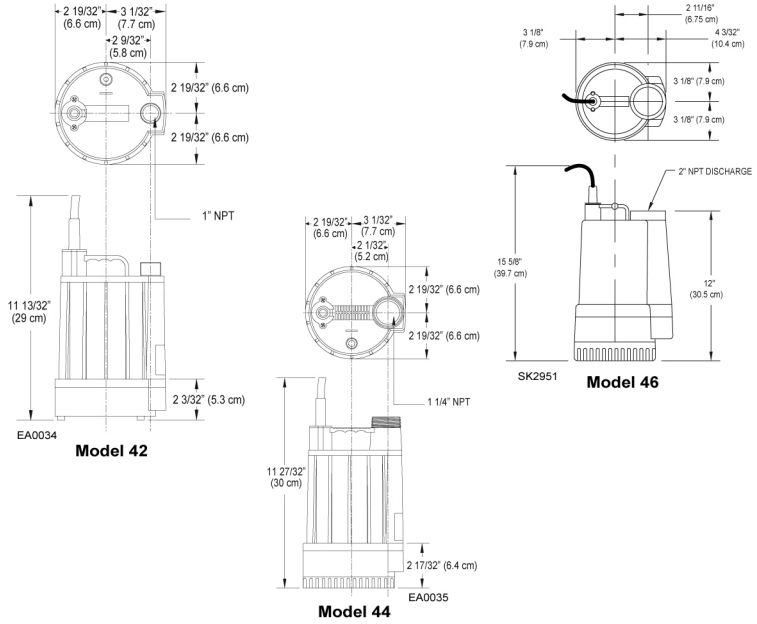
PUMP COMPANY

Zoeller Family of Water Solutions™

40 Series



014066



Model

Model Number	Seal	Mode	Volts	Phase	Amps	HP	CSA/UL	Hz	Lbs	Kg
N42	Single	Non	115	1	1.5	1/6	Y/N	60	7	3
LM44	Single	Auto	115	1	2.5	1/4	Y/N	60	9	4
N44	Single	Non	115	1	2.5	1/4	Y/N	60	9	4
N45	Single	Non	115	1	2.5	1/4	-	60	9	4
N46	Single	Non	115	1	6.0	1/2	Y/N	60	16	7
N47	Single	Non	115	1	3.0	1/3	-	60	10	4.6

Your Peace of Mind is Our Top Priority®
3649 Cane Run Rd | Louisville, KY 40211 USA

+1 502-778-2731 | 1-800-928-7867 | Fax: +1 502-774-3624

www.zoeller.com