

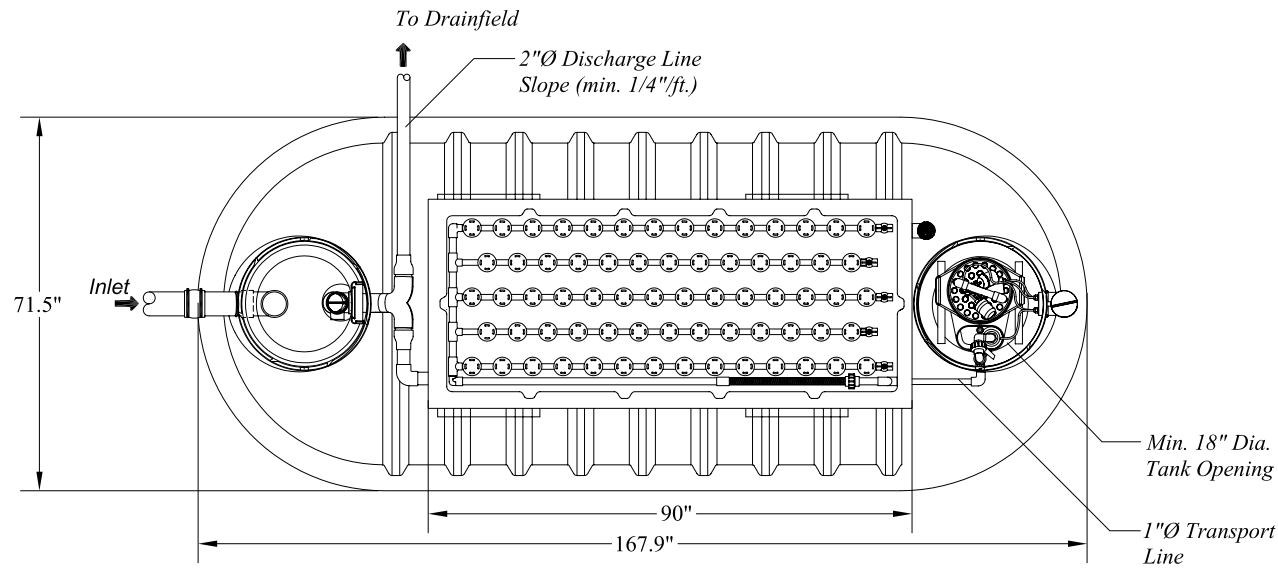
AdvanTex® AX20 Mode 3A w/Fiberglass Tank

Design Notes

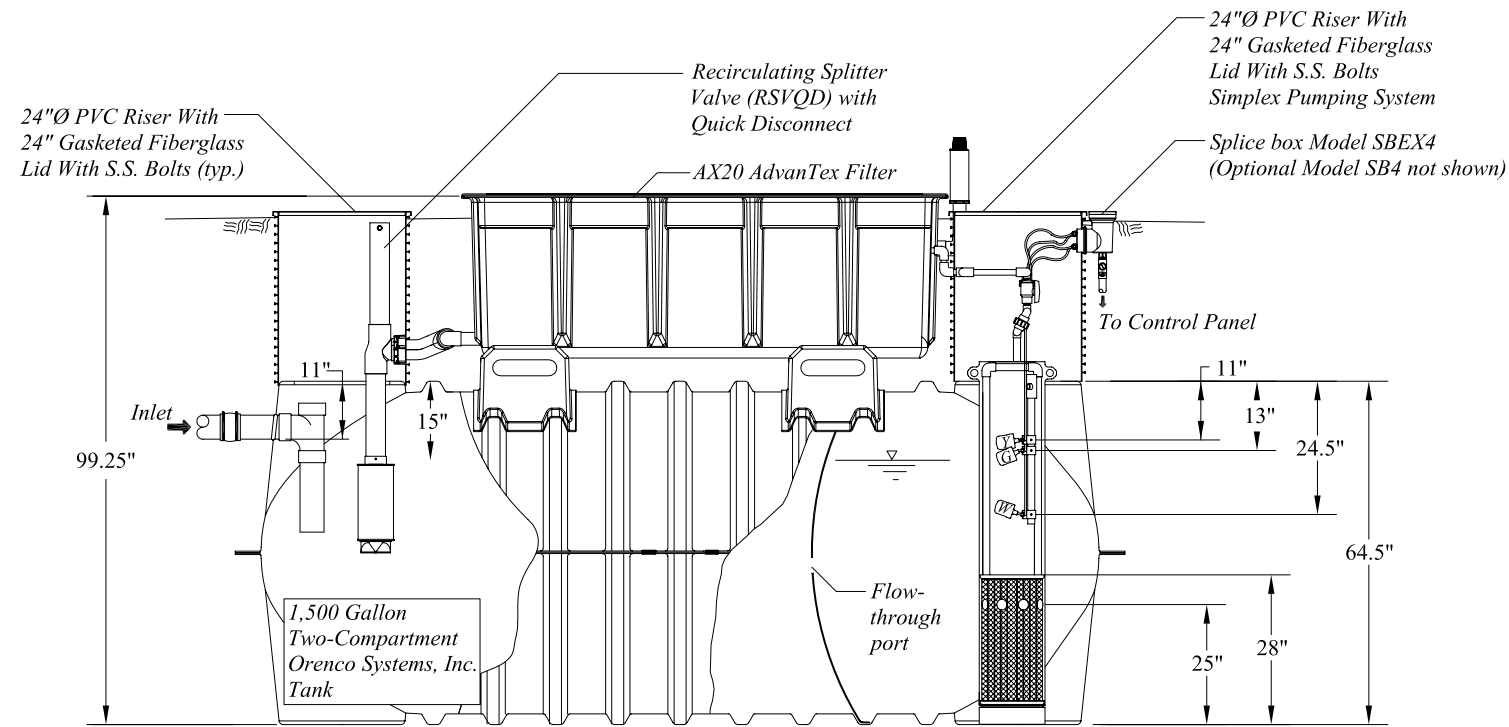
Expected Flows
 • $Q_{Peak} = 500 \text{ gpd}$
 Up To 4 Bedrooms

Expected Influent Quality
 Grease & Oil: 20 mg/L
 BOD: 150 mg/L
 TSS: 40 mg/L
 TKN: 65 mg/L

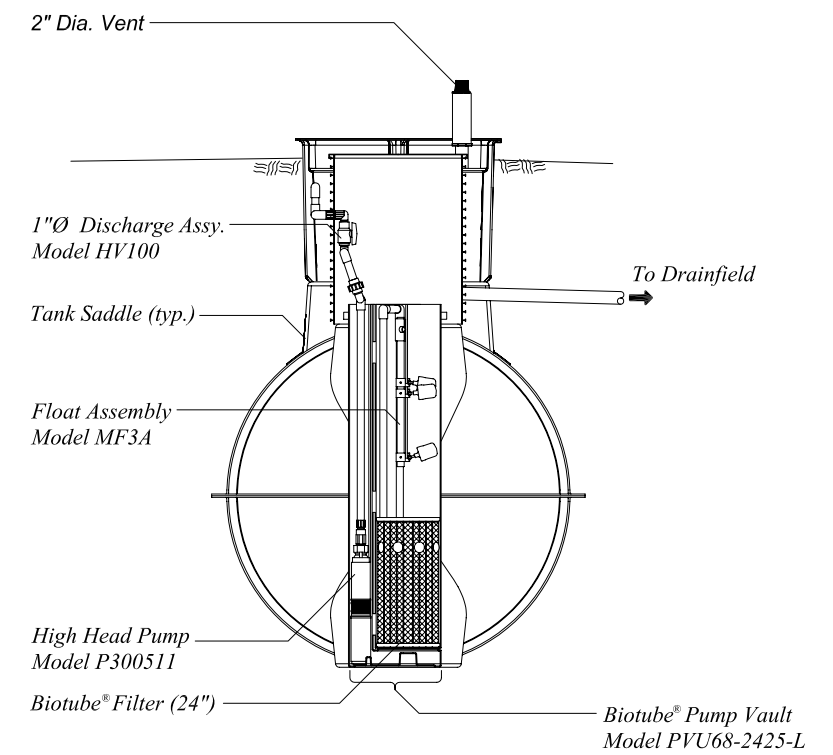
Typical Effluent Quality
 BOD: < 10 mg/L
 TSS: < 10 mg/L
 TN: < 25 mg/L



Top View
 Scale: 1" = 3'-0"



Side View
 Scale: 1" = 3'-0"



End View
 Scale: 1" = 3'-0"

Float Functions	
Y	High Level Alarm
G	Override Timer ON/OFF
W	LLA/RO

UNAUTHORIZED CHANGES & USES

Orenco has prepared these drawings for use by the design engineer. Orenco will not be responsible or liable for unauthorized changes to or uses of these drawings. All changes to these drawings must be made in writing and must be approved by the design engineer.

PRODUCT CONFIGURATION DRAWINGS



Drawn By: BEN SMITH

Drawn For:

Project:

AX20 Mode 3A

Title:

NDW-ATX-STD-6

Scale: 1" = 3'-0"

Sheet: 1 OF 1

Rev: A-02

Date: 9/01/2011

Copyright © 2011
 Orenco Systems®, Inc.